

Radley®

20V MAX IMPACT DRIVER

OWNER'S MANUAL



3 Year Limited Warranty on tool
2 Year Limited warranty on battery and charger.



Intertek
3042597
JD508320

**READ ALL INSTRUCTIONS BEFORE FIRST USE.
KEEP THIS MANUAL FOR FUTURE REFERENCE.
KEEP AWAY FROM CHILDREN.**

Maximum initial battery voltage (measured without a load)
is 20 volts. Nominal voltage is 18 volts.



**WEAR CSA APPROVED
EYE PROTECTION**



**WEAR EAR
PROTECTION**



**WEAR FACE
PROTECTION**

PRODUCT SPECIFICATIONS

20V MAX LI-ION IMPACT DRIVER

Variable Speed	0–3,000 RPM (no load)
Impact Speed	0–3,000 BPM
Torque	1,400 in/lbs (158 Nm) maximum
Hex Drive	Quick release 1/4" (6.35 mm)
Weight	3lbs (1.5kg)

BATTERY AND CHARGER

Battery	20V Max* Li-ion (Maximum charged battery voltage, measured without load, is 20V with a nominal value of 18V), 1.5 Ah
Charger	Approximately 1 hour, Class 2
Replacement Battery	5350-547 (2Ah)
Replacement Charger Assembly	5350-013

NEED ASSISTANCE?

Call us on our toll- free customer support line:

1-866-349-8665 (Monday through Friday 9am – 5pm Eastern Standard Time)

- Technical questions
- Replacement parts
- Parts missing from package

TABLE OF CONTENTS

Product Specifications 1
Table of Contents 2
General Safety Warnings 3
Specific Safety Rules 4
Battery & Charger Safety 7
Battery Pack Recycling 8
Safety Symbols 9
Know Your Impact Driver 10
Assembly and Operation 11
Maintenance 18
Exploded View 20
Parts List 21
Warranty 22

GENERAL SAFETY WARNINGS

⚠️ WARNING: Before using this tool or any of its accessories, read this manual and follow all Safety Rules and Operating Instructions. The important precautions, safeguards and instructions appearing in this manual are not meant to cover all possible situations. It must be understood that common sense and caution are factors which cannot be built into the product.

EYE, EAR & LUNG PROTECTION

SYMBOL	MEANING
<p>⚠️ DANGER</p>	<p>ALWAYS WEAR EYE PROTECTION THAT CONFORMS WITH CSA Z94.3 or ANSI SAFETY STANDARD Z87.1</p> <p>FLYING DEBRIS can cause permanent eye damage. Prescription eyeglasses ARE NOT a replacement for proper eye protection.</p> <p>Non-compliant eyewear can cause serious injury if broken during the operation of a power tool.</p>
<p>⚠️ WARNING</p>	<p>Use hearing protection, particularly during extended periods of operation of the tool, or if the operation is noisy.</p>
<p>⚠️ WARNING</p>	<p>WEAR A DUST MASK THAT IS DESIGNED TO BE USED WHEN OPERATING A POWER TOOL IN A DUSTY ENVIRONMENT.</p> <p>Dust that is created by power sanding, sawing, grinding, drilling, and other construction activities may contain chemicals that are known to cause cancer, birth defects, or other genetic abnormalities. These chemicals include:</p> <ul style="list-style-type: none"> •Lead from lead-based paints •Crystalline silica from bricks, cement, and other masonry products •Arsenic and chromium from chemically treated lumber . <p>The level of risk from exposure to these chemicals varies, according to how often this type of work is performed. In order to reduce exposure to these chemicals, work in a well-ventilated area, and use approved safety equipment, such as a dust mask that is specifically designed to filter out microscopic particles.</p>
<p>⚠️ WARNING</p>	<p>To avoid electrical hazards, fire hazards or damage to the tool, use proper circuit protection.</p> <p>This tool is wired at the factory for 120 Volts AC operation. It must be connected to a 120 Volts AC, 15 Amps circuit that is protected by a time-delayed fuse or circuit breaker. To avoid shock or fire, replace power cord immediately if it is worn, cut or damaged in any way.</p>

POWER TOOL SAFETY

WORK AREA SAFETY

Keep work area clean and well lit. Cluttered or dark areas invite accidents.

Do not operate power tools in explosive atmospheres, such as in the presence of flammable liquids, gases or dust. Power tools create sparks which may ignite the dust or fumes.

Keep children and bystanders away while operating a power tool. Distractions can cause you to lose control.

ELECTRICAL SAFETY

Power tool plugs must match the outlet. Never modify the plug in any way. Do not use any adapter plugs with earthed (grounded) power tools. Unmodified plugs and matching outlets will reduce risk of electric shock.

Avoid body contact with earthed or grounded surfaces such as pipes, radiators, ranges and refrigerators. There is an increased risk of electric shock if your body is earthed or grounded.

Do not expose power tools to rain or wet conditions. Water entering a power tool will increase the risk of electric shock.

Never use the cord for carrying, pulling or unplugging the power tool. Keep cord away from heat, oil, sharp edges or moving parts. Damaged or entangled cords increase the risk of electric shock.

When operating a power tool outdoors, use an extension cord suitable for outdoor use. Use of a cord suitable for outdoor use reduces the risk of electric shock is unavoidable, use a residual current device (RCD) protected supply. Use of a ground fault circuit interrupter (GFCI) reduces the risk of electric shock.

PERSONAL SAFETY

Stay alert, watch what you are doing and use common sense when operating a power tool. Do not use a power tool while you are tired or under the influence of drugs, alcohol or medication. A moment of inattention while operating power tools may result in serious personal injury.

Use personal protective equipment. Always wear eye protection. Protective equipment such as dust mask, non-skid safety shoes, hard hat, or hearing protection used for appropriate conditions will reduce personal injuries.

Prevent unintentional starting. Ensure the switch is in the off position before connecting to power source and/or battery pack, picking up or carrying the tool. Carrying power tools with your finger on the switch or energizing power tools that have the switch on invites accidents.

Remove any adjusting key or wrench before turning the power tool on. A wrench or a key left attached to a rotating part of the power tool may result in personal injury.

Do not overreach. Keep proper footing and balance at all times. This enables better control of the power tool in unexpected situations.

Dress properly. Do not wear loose clothing or jewellery. Keep your hair, clothing and gloves away from moving parts. Loose clothes, jewellery or long hair can be caught in moving parts.

If devices are provided for the connection of dust extraction and collection facilities, ensure these are connected and properly used. Use of dust collection can reduce dust-related hazards.

POWER TOOL USE AND CARE

Do not force the power tool. Use the correct power tool for your application.

The correct power tool will do the job better and safer at the rate for which it was designed.

Do not use the power tool if the switch does not turn it on and off. Any power tool that cannot be controlled with the switch is dangerous and must be repaired.

Disconnect the plug from the power source and/or the battery pack from the power tool before making any adjustments, changing accessories, or storing power tools. Such preventive safety measures reduce the risk of starting the power tool accidentally.

Store idle power tools out of the reach of children and do not allow persons unfamiliar with the power tool or these instructions to operate the power tool. Power tools are dangerous in the hands of untrained users.

Maintain power tools. Check for misalignment or binding of moving parts, breakage of parts and any other condition that may affect the power tool's operation. If damaged, have the power tool repaired before use. Many accidents are caused by poorly maintained power tools.

Keep cutting tools sharp and clean. Properly maintained cutting tools with sharp cutting edges are less likely to bind and are easier to control.

Use the power tool, accessories and tool bits etc. in accordance with these instructions, taking into account the working conditions and the work to be performed. Use of the power tool for operations different from those intended could result in a hazardous situation.

Hold power tool by insulated gripping surfaces, because the blade may contact its own cord. Cutting a "live" wire may make exposed metal parts of the tool "live" and could give the operator an electric shock.

BATTERY TOOL USE AND CARE

Recharge only with the charger specified by the manufacturer. A charger used that is suitable for one type of battery pack may create a risk of fire when another battery pack.

Use power tools only with specifically designated battery packs. Use of any other battery packs may create a risk of injury and fire.

When battery pack is not in use, keep it away from other metal objects, like paper clips, coins, keys, nails, screws or other small metal objects that can make a connection from one terminal to another. Shorting the battery terminals together may cause burns or a fire.

Under abusive conditions, liquid may be ejected from the battery; avoid contact. If contact accidentally occurs, flush with water. If liquid contacts eyes, also seek medical help. Liquid ejected from the battery may cause irritation or burns.

SERVICE

Have your power tool serviced by a qualified repair person using only identical replacement parts. This will ensure that the safety of the power tool is maintained.

SPECIFIC SAFETY RULES

⚠️ WARNING: Know your cordless impact driver. Do not plug in the charger or install the battery in the tool until you have read and understand this Owner's Manual. Learn the tool's application and limitations as well as the specific potential hazards related to this tool. Following this rule will reduce the risk of electric shock, fire, or serious injury.



Always wear eye protection. Any power tool can throw foreign objects into your eyes and cause permanent eye damage. ALWAYS wear safety goggles (not glasses) that comply with ANSI safety standard Z87.1. Everyday glasses have only impact resistant lenses. They ARE NOT safety glasses.

⚠️ WARNING: Glasses or goggles not in compliance with ANSI Z87.1 could cause serious injury when they break.

Always wear hearing protection and a dust mask. Use only in a well-ventilated area. Using personal safety devices and working in a safe environment reduces the risk of injury.

⚠️ WARNING: Always use a safety shield, hearing protection and dust mask when drilling concrete.

⚠️ WARNING: To avoid fire or toxic reaction, never use gasoline, naphtha, acetone, lacquer thinner or similar highly volatile solvents to clean the tool.

⚠️ WARNING: Use only accessories that are recommended for this impact driver. Follow the instructions that accompany the accessories. The use of improper accessories may result in injury to the operator or damage to the tool.

⚠️ WARNING: If any part is missing or damaged, do not plug the tool into the power source or install any accessory until the missing or damaged part is replaced.

Use impact sockets and accessories that are designed for use with an impact driver. Do not use chrome plated sockets and accessories. Chrome plated sockets and accessories are designed for hand use only and MUST NOT be used with an impact driver. They may shatter and possibly cause serious injury.

Before each use, check the impact sockets and accessories for excessive wear or cracks. Worn or damaged sockets or accessories may shatter and possibly cause serious injury. Worn accessories may allow the socket to come off during operation of the impact driver.

After installing any accessory in the hex drive, pull outward on the accessory to ensure it is properly installed and cannot be pulled out of the hex drive.

Never use the impact driver as a torque wrench. Always use a torque wrench to

adjust the fastener to the specified torque.

Keep the impact driver handle and body clean and free of oil and grease. Always use a clean dry cloth when cleaning. Do not use solvents, brake fluid, gasoline or other petroleum products to clean the tool. They will damage the tool.

Do not wear neckties or loose clothing.

When wearing gloves, they must be tight fitting and slip resistant type. Leather gloves offer the best protection.

Always use two hands when operating the impact driver. Use one hand on the handle and the other on the front of the tool body.

Never place your hand so it is touching the nut driver or accessory when the tool is turned ON. Your hand could be seriously injured.

Always remove the plug from the power source before installing or removing any socket or accessory.

Be ready for components to shift when removing any fastener. The speed of the fastener removal could cause unexpected shifting of the components.

BATTERY & CHARGER SAFETY

⚠️ WARNING: Only use the charger supplied with this kit to charge the 20V Li-ion batteries for this tool. Charging any other batteries may damage the charger and possibly cause serious injury.

Do not store or carry the battery in a manner in which metal objects could contact the exposed metal end. Do not place the battery in aprons, pockets, drawers, etc. with loose nails, screws, keys etc. The battery could short circuit causing a fire, personal injury, or damage to the battery.

Never attempt to open the battery for any reason. If the housing of the battery breaks or cracks, immediately discontinue use and do not recharge.

Do not charge the battery if it is wet or shows any evidence of corrosion.

A small leakage from the battery may occur under extreme usage, charging or temperature conditions. This does not indicate a failure. However, if the outer seal is broken and this leakage gets on your skin, follow these steps:

1. Wash immediately with soap and water.
2. Neutralize with a mild acid such as lemon juice or vinegar.
3. If liquid gets into your eyes, flush immediately with clean water for a minimum of 10 minutes and seek medical attention.

NOTE: The battery liquid is slightly acidic.

Do not incinerate the battery. It can explode in a fire.

Do not use an extension cord. Plug the charger cord directly into an electrical outlet. Use the charger only in a standard 120V, 60 Hz electrical outlet.

Do not use the charger in wet or damp conditions. It is intended for indoor use only.

Do not use the charger near sinks or tubs. Do not immerse the charger in water. Do not allow the cord to hang over the edge of a table or counter or touch hot surfaces. The charger should be placed away from sinks and hot surfaces.

Do not use the charger to charge any batteries other than this 20V Max* cordless driver battery. Other batteries may explode.

Do not operate charger if the cord or plug is damaged. Replace the damaged cord and plug immediately. Do not operate the charger if it has received a sharp blow, been dropped charger and or otherwise damaged in any way. Have a qualified technician examine the repair it if necessary. Do not disassemble the charger.

Do NOT charge the batteries when the work area or the battery temperature is at or below 0° C (32° F) or above 45° C (113° F).

Unplug the charger when not in use and before cleaning or maintenance.

BATTERY PACK RECYCLING



To preserve our natural resources, please recycle or dispose of batteries properly. The batteries charged by this charger may contain chemicals and metals that are harmful to the environment. Never dispose of rechargeable batteries in your normal household garbage or in landfill sites as they will add to the pollution of the environment.

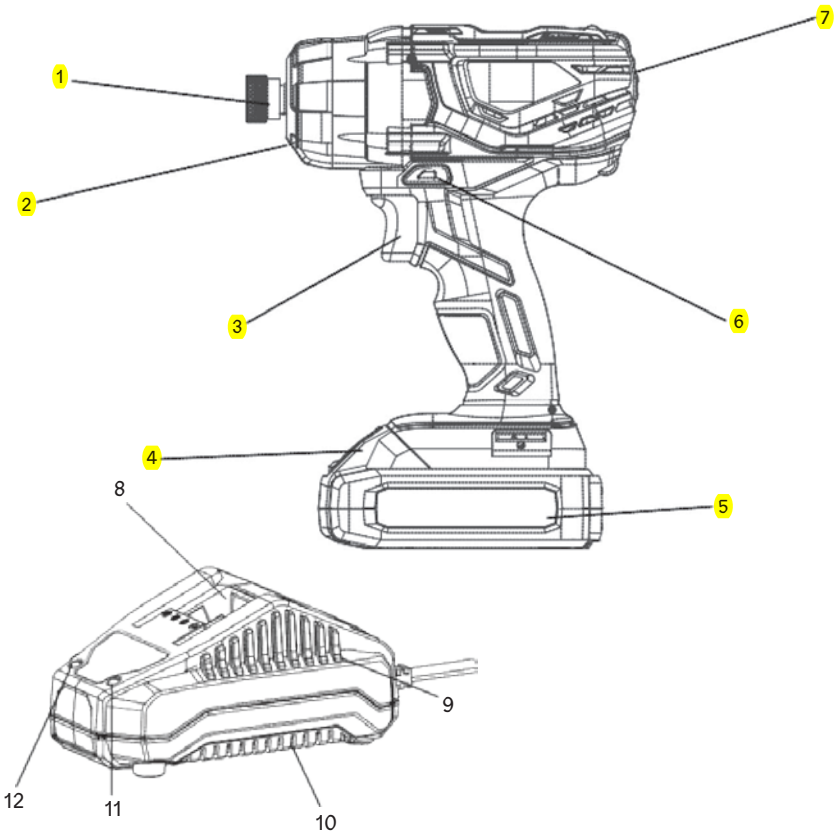
SAFETY SYMBOLS

⚠ WARNING: Some of the following symbols may appear on the **impact driver**. Study these symbols and learn their meaning. Proper interpretation of these symbols will allow for more efficient and safer operation of this tool.

V	Volts	3_n	Three-phase alternating current with neutral
A	Amperes		Direct current
Hz	Hertz	n_o	No load speed
W	Watts		Alternating or direct current
kW	Kilowatts		Class II construction
μF	Microfarads		Splash-proof construction
L	Litres		Watertight construction
kg	Kilograms		Protective grounding at terminal, Class I tools
H	Hours	.../min	Revolutions or reciprocations per minute
N/cm ²	Newtons per square centimetre	\emptyset	Diameter
Pa	Pascals	0	Off position
OPM	Oscillation per minute		Directional Arrow
Min	Minutes		Warning symbol
S	Seconds		Wear your safety glasses
\sim or AC	Alternating current		Wear a dust mask
$3 \sim$	Three-phase alternating current		Wear hearing protection

KNOW YOUR 20V MAX VS IMPACT DRIVER

- 1. Quick Release Chuck
- 2. LED Work Light
- 3. Trigger Switch
- 4. Battery Release Button
- 5. Battery 5350-547
- 6. Forward/Reverse Switch
- 7. Air Vents
- 8. Battery Charger DL125418
- 9. Air Vents
- 10. Air Vents
- 11. Red LED
- 12. Green LED



ASSEMBLY AND OPERATION

CHECKING THE BATTERY CHARGER STATUS

The level of charge remaining in the battery can be checked by using the battery LED power indicator that is contained on the end of the battery.

NOTE: The battery charge remaining may be checked while the battery is installed in the tool with the ON/OFF switch turned OFF. It may also be checked while the battery is removed from the tool. DO NOT check the battery charge remaining while the battery is in the charger. You will get a false reading and you may also damage the battery status system.

1. Press and hold the battery status button located on the end of the battery.
2. One or more of the Four LED lights in the LED window will come ON to indicate the amount of charge that is remaining in the battery as follows:

Charge level indicator				
Amount of charge remaining	10-25%	25-50%	50-75%	75-100%

3. Release the battery status button to turn the LEDs OFF.



CHARGING THE BATTERY PACK

1. Place the battery charger (1) in a dry location near a 120V 60 Hz electrical outlet (Fig. 1).
2. Plug the battery charger into the outlet and make sure the green LED indicator light (5) comes ON. If it does not, refer to the chart (Fig. 2) to identify the problem.
3. Turn the battery (2) upside down and slide it onto the charger. **NOTE:** Make sure the grooves (3) in the sides of the battery slide over the matching tabs on the charger (4) until the battery latch “clicks” into place.
3. Turn the battery (2) upside down and slide it onto the charger. **NOTE:** Make sure the grooves (3) in the sides of the battery slide over the matching tabs on the charger (4) until the battery latch “clicks” into place.

NOTES:

1. When the charger is plugged into the wall receptacle and NO battery is on the charger, the green indicator light (5) will turn ON indicating the charger is “live”.
2. When a discharged battery is installed on the charger, the green indicator light will turn OFF and the red indicator light (6) will turn ON. The red indicator light indicates the battery is being charged.
3. If the red indicator light does not come ON, check to make sure battery pack is slid fully onto the charger and the electrical outlet is working properly.
4. See Fig. 2 below for other indicator light functions.
5. A discharged battery pack should be fully charged in 60 minutes.
6. It is normal for the battery charger to hum and be warm to the touch during operation.
7. If the battery pack does not charge properly, check to make sure the electrical outlet is “live”.
8. Do NOT charge batteries when the work area or the battery temperature is at or below 41°F/5°C or above 105°F / 40.5° C.

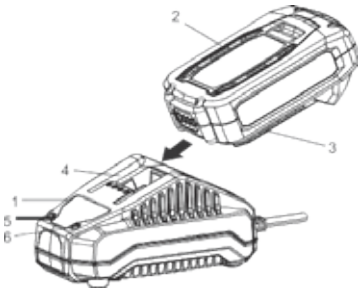


Fig. 1

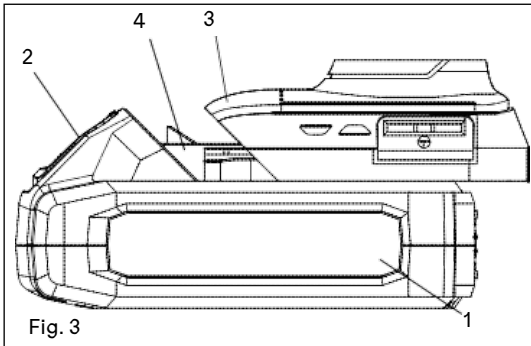
GREEN LIGHT	RED LIGHT	BATTERY INSERTED INTO CHARGER	CHARGING STATUS
ON	OFF	NO	Charger connected to power supply
OFF	ON	YES	Battery being charged
ON	OFF	YES	Battery fully charged
OFF	ON	YES	Battery is charged but not operational on tool. This may indicate defective / bad contact on battery or charging conditions are either too hot or too cold.

Fig. 2

INSTALLING A BATTERY IN THE IMPACT DRIVER

1. Remove the battery (1) from the driver by pressing downward on the battery release button (2) and sliding the battery backward until it is removed from the driver handle (3) (Fig. 3).
2. Slide the fully charged battery onto the matching keys (4) in the driver handle where the discharged battery has been removed.

NOTE: Make sure the slots in the battery are fully engaged with the mounting keys in the handle. The battery release button will “click” into place when the battery is fully installed.



⚠ WARNING: Do not immerse the battery pack in water. Sudden cooling could cause a hot battery to explode or leak.

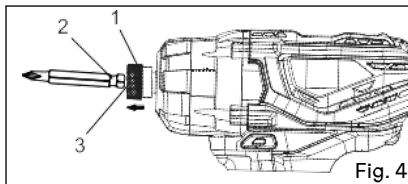
INSTALLING SCREWDRIVER BITS AND SOCKETS

⚠ WARNING: Never hold the impact driver with your fingers near the switch while charging the screwdriver bits. Accidentally touching the switch may start the tool and possibly cause an injury.

⚠ WARNING: Use only screwdriver bits, sockets that are designed for use with an impact driver. Do not use chrome plated sockets and accessories. Chrome plated sockets and accessories are designed for hand use only and **MUST NOT** be used with an impact driver. They may shatter and possibly cause serious injury.

⚠ WARNING: Always remove the battery from the tool before changing any sockets, bits or accessories. You may injure your hand if the tool is started accidentally.

1. Pull outward on the quick release chuck (1) (Fig. 4).
2. Insert the grooved end of the impact driver bit holder (2) into the chuck (3) of the tool.



NOTES:

- a) Always use ANSI single ended screwdriver bits or nut driver with the grooved end. These bits will be properly held in place by the chuck. Other bit types cannot be properly secured in the chuck.
 - b) Push the screwdriver bit as far as it will go into the chuck.
3. Release the quick release chuck.
 4. Pull outward on the screwdriver bit to ensure it is properly locked into the chuck.
NOTES: Use the largest size screwdriver bit that will properly fit the screw head.
Make sure the screwdriver bit is in good condition and is neither damaged nor worn.

FORWARD/REVERSE SWITCH

The forward/reverse switch (1) is conveniently mounted above the trigger switch (2) (Fig. 5). To make the impact driver rotate clockwise for driving screws, push the forward/reverse switch to the left. To make the driver rotate counter-clockwise for removing screws, push the forward/reverse switch to the right.

NOTES:

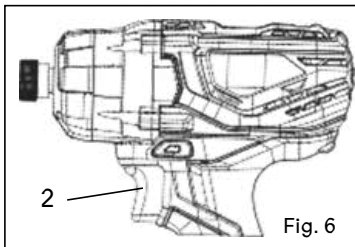
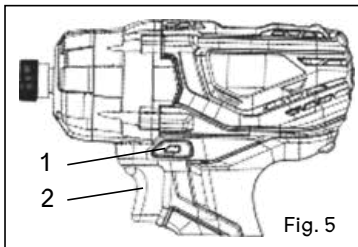
- a) Never change the position of the forward/ reverse switch while the chuck is turning.
- b) The trigger switch will NOT function with the forward/reverse switch in the middle position.

VARIABLE SPEED TRIGGER SWITCH

This impact driver is equipped with a variable-speed ON/OFF trigger switch.

1. To start the impact driver, gently squeeze the trigger switch (2) (Fig. 6). NOTE: The impact driver will turn at its slowest speed when the trigger switch is squeezed lightly. The impact driver will turn at its fastest speed when the trigger switch is squeezed firmly.
2. To stop the impact driver, release the trigger switch.

NOTE: Operating the impact driver at a slow speed for an extended period of time may cause the impact driver motor or the battery to overheat. If the driver gets hot, stop operating it and allow it to cool for at least 15 minutes.



LED WORK LIGHT

The LED work light (3) will automatically turn ON when the trigger switch is squeezed (Fig. 7). It will automatically turn OFF when the trigger switch is released.

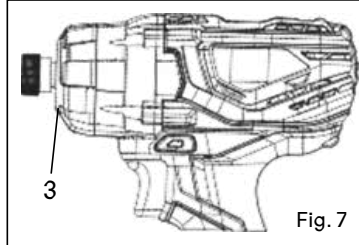


Fig. 7

⚠ WARNING: For safety reasons, the operator must read the sections of this Owner's Manual entitled "GENERAL SAFETY WARNINGS", "POWER TOOL SAFETY", "SPECIFIC SAFETY RULES", "BATTERY & CHARGER SAFETY" and "SYMBOLS" before using this impact driver.

Verify the following every time the cordless driver is used:

1. Safety glasses, safety goggles, or face shield is being worn.
2. Hearing protection is being worn.
3. The screwdriver bit is single ended and has the ANSI groove on one end.
4. The screwdriver bit is correctly installed and locked into the collet.
5. The bit is in good condition, and is fully inserted into the bit holder.

Failure to observe these safety rules will significantly increase the risk of injury.

PREPARING SCREW HOLES

It is important to prepare screw holes before attempting to fasten two pieces of wood together. Proper preparation will make screws drive easier and prevent misaligned components, stripped screw heads, splitting and separating of wood components.

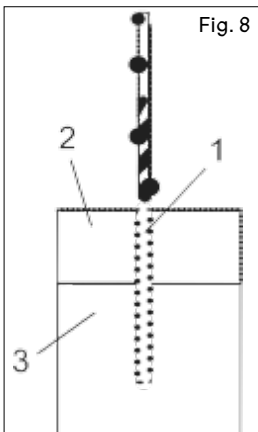


Fig. 8

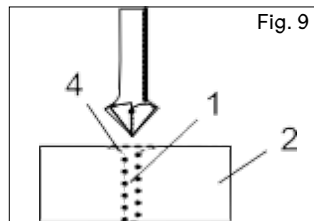


Fig. 9

1. Clamp the components that are to be screwed together in their desired position (Fig. 8).

2. Drill a pilot hole (1) through the outer piece (2) and into the inner piece (3). Drill hole $\frac{2}{3}$ the diameter of the smooth portion of the screw shank.

NOTE: If the wood is soft, drill the hole $\frac{2}{3}$ the length of the screw. If the wood is hard, drill the hole the full length of the screw.

3. Remove the clamp from the two pieces to be screwed together.
4. Enlarge the hole (1) in the outer piece (2) so it is the same size as the smooth portion of the screw shank (Fig. 9).
5. If using a flat head screw, countersink the hole (4) so the head of the screw will be flush with the surface when fully driven into place.

DRIVING SCREWS

When driving screws, care must be taken to use a bit that correctly fits the head of the screw being driven. Make sure you use the largest bit size that will properly fit into the be in good condition and not worn so they will drive screws without slipping out of the screw head.

1. Select the correct screwdriver bit for the screw being driven and install it in the collet (Fig. 4).
2. Set forward/reverse switch to "forward" (Fig. 5).
3. Insert the screwdriver bit fully into the screw head (Fig. 10).
4. While holding the screwdriver bit firmly against the screw and the bit aligned with the screw, squeeze the trigger switch to start the cordless driver and drive the screw.
5. When the screw is driven to the correct depth, release the switch and the impact driver will stop.

NOTE: As the screw is driven into the wood, the torque required to completely drive the screw into the wood will increase. The impact function will allow you to continue driving the screw until it is fully nested in the countersunk area.

6. Release the trigger as soon as the screw is driven to the desired depth. Failure to release the trigger at this point will result in an overdriven screw and possibly twist the head off the screw.

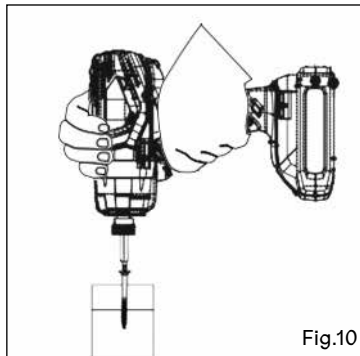


Fig.10

NOTE: To remove screws, follow the same general procedure as for driving screws.

7. Push the forward/reverse button to the RIGHT for removing screws.
8. Insert the bit fully into the screw head.
9. Hold the impact driver and bit firmly against the screw head and squeeze the trigger switch. **NOTE:** The impact action will allow you to remove tight screws.

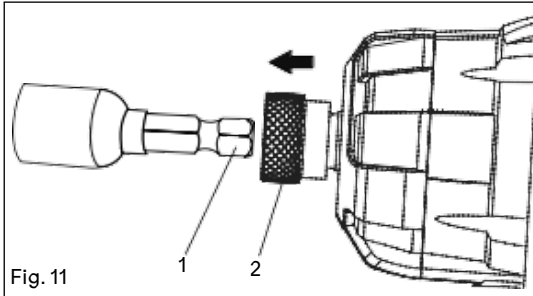
This impact driver may be used with nut drivers and impact sockets. Although these accessories are NOT included with this tool, they may be purchased separately.

⚠️WARNING: Nut drivers, socket adaptor and sockets MUST be impact rated and include the ANSI locking groove.

INSTALLING NUT DRIVERS FOR 3/16" TO 3/8" NUTS

1. Select the correct nut driver size.
2. Insert the hex end (1) into the hex drive (2) (Fig. 11).

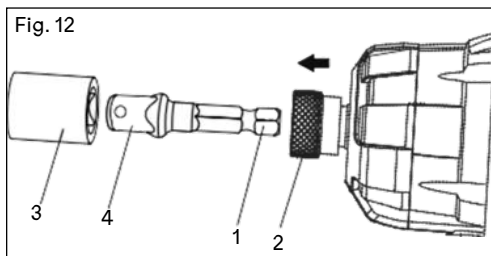
NOTE: See Fig. 3 for complete procedure.



INSTALLING IMPACT SOCKETS FOR 7/16" TO 3/4" NUTS

1. Insert the hex end of the socket adaptor (1) into the hex drive (2) (Fig. 12).
2. Select the correct socket size.
3. Push the square end of the socket (3) onto the matching square end of the adaptor (4).

NOTE: Make sure the socket is fully installed onto the square portion of the adaptor.



REMOVING NUTS

1. Press the forward/reverse button to the RIGHT for removing nuts (Fig. 5).
2. Place the socket fully onto the nut.
3. Hold the nut driver socket and impact driver firmly against the nut with both hands.
With the nut driver aligned with the nut, squeeze the trigger switch to start the impact driver and remove the nut.

NOTE: When removing fasteners, do not allow the impact driver to operate more than 5 seconds unless the fastener begins to turn. If the fastener fails to turn within 5 seconds, reverse the direction of rotation and operate the impact driver in a forward direction on the fastener for a few seconds. Now switch back to reverse direction and remove the fastener. This procedure will usually break loose seized or "frozen" fasteners.

⚠️WARNING: Operating the impact driver for more than 5 seconds at a time on a seized or "frozen" fastener will place severe stress on the impact driver and cause damage. It may also break the fastener.

MAINTENANCE

GENERAL

⚠️WARNING: When servicing this tool, use only identical replacement parts. The use of any other part may create a hazard or cause product damage.

DO NOT use solvents when cleaning plastic parts. Plastics are susceptible to damage from various types of commercial solvents and may be damaged by their use. Use a clean cloth to remove dirt, dust, oil, grease etc.

⚠️WARNING: Do not allow brake fluids, gasoline, petroleum-based fluids, gasoline, petroleum-based products, penetrating oils, etc. to come into contact with plastic parts. They contain chemicals that can damage, weaken or destroy plastic.

DO NOT abuse power tools. Abusive practices can damage the tool and the workpiece. **WARNING:** DO NOT attempt to modify tools or create accessories. Any such alteration or modification is misuse and could result in hazardous condition leading to possible serious injury. It will also void the warranty.

LUBRICATION

All the bearings in this tool are lubricated with sufficient amount of high-grade lubricant for the life of the unit under normal conditions. Therefore, no further lubrication is required.

LITHIUM-ION BATTERY PERFORMANCE

Lithium-ion rechargeable batteries generally provide superior performance to nickel-cadmium batteries when used in power tools.

- Faster charges
- Longer battery life
- More power
- Lighter weight

Lithium-ion batteries perform best and deliver peak output power at room temperature (20° C or 68° F). When operated in lower temperatures, the battery output will be

reduced and it will NOT function below -20°C (-4°F). The output power will increase as the heat generated by the battery during use increases the internal temperature of the battery. The result is increased power as the tool is used.

LITHIUM-ION BATTERY MAINTENANCE

Lithium-ion batteries share many characteristics with nickel-cadmium batteries.

The major characteristic that is NOT shared with nickel-cadmium batteries is that Lithium-ion batteries do not have a “memory” and do not require to be completely discharged periodically. It is recommended that you charge your Lithium-ion batteries after each use so they will be fully charged when needed.

NOTE: A fully charged battery will lose about 2% of its charge per month during storage.

BATTERY PACK REMOVAL AND PREPARATION FOR RECYCLING

To preserve our natural resources, please recycle or dispose of batteries properly.

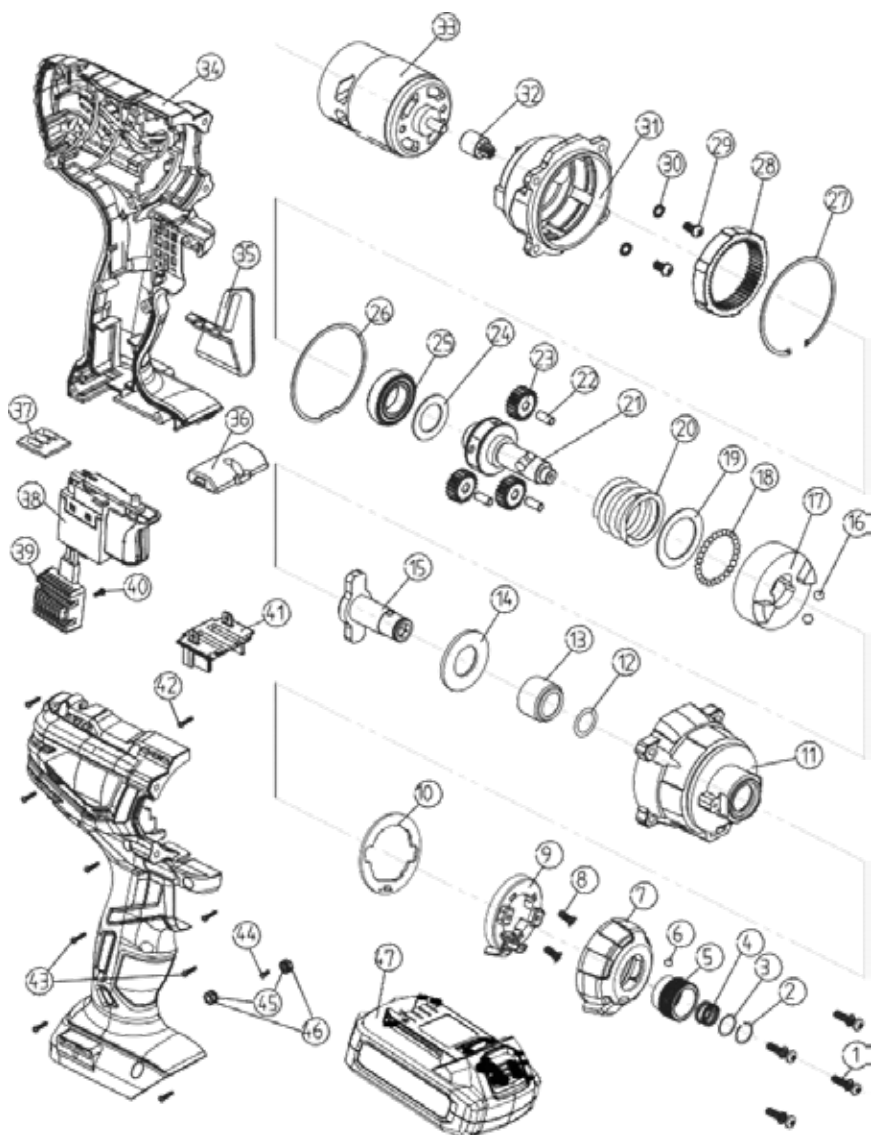
The batteries supplied with this tool may contain chemicals and metals that are harmful to the environment. Never dispose of rechargeable batteries in your normal household garbage or in landfill sites because they will add to the pollution of the environment.

Consult your local waste authority for information regarding available recycling and disposal options.

⚠️ WARNING: If the battery pack has been removed from the tool, cover the terminals of the battery pack with electrical tape or heavy-duty adhesive tape. Never touch both terminals with metal objects or body parts, because a short circuit may result. Keep away from children. Do not attempt to destroy or disassemble battery pack or remove any of its components. Rechargeable batteries must be recycled or disposed of properly. Failure to comply with these warnings could result in fire and serious injury.

⚠️ WARNING: When servicing, use only original equipment replacement parts. The use of any other parts may create a safety hazard or cause damage to the tool. Any attempt to repair or replace electrical parts on this tool may create a safety hazard unless repairs are performed by a qualified technician. For more information, call the Toll-free helpline at 1-866-349-8665. Always order by part number, not by key number.

EXPLODED VIEW



PARTS LIST

⚠ WARNING: When servicing, use only original equipment replacement parts. The use of any other parts may create a safety hazard or cause damage to the **impact driver**.

Any attempt to repair or replace electrical parts on this **impact driver** may create a safety hazard unless repairs are performed by a qualified technician. For more information, call the Toll-free Helpline, at 1-866-349-8665; Monday - Friday: 9am to 5pm Eastern Standard Time.

Always order by part number.

Key #	Part #	Part Name	Quantity
1	4030010268	Screw St3.9x25	4
2	2050080131	Outer Circlip	1
3	2030020001	Small Washer	1
4	2050060004	Spring	1
5	2040170007	Assembly Sleeve	1
6	4080030001	Ball Ø3.5	1
7	3140100023	Rubber Sleeve	1
8	4020020017	Screw M3x8	2
9	3150160285	Lampshade Setting Ring	1
10	1130040086	Circuit Board	1
11	2020050082	Aluminum Shell	1
12	3140020001	O Ring	1
13	2010080002	Bushing	1
14	2030020002	Washer	1
15	2040050141	Outer Shaft	1
16	4080070001	Ball Ø5.5	2
17	2040200011	Impact Block	1
18	4080040001	Ball Ø4	21
19	2030020003	Washer	1
20	2050060181	Torque Spring	1
21	2040050106	Inner Shaft	1
22	4110030002	Pin Ø4x9.8	3
23	2010010064	Planetary Gear	3
24	2030020229	Washer	1
25	4010010062	Bearing (6902z)	1
26	3190090011	Oil Proof Washer	1

Key #	Part #	Part Name	Quantity
27	4100010013	Internal Circlip	1
28	2010090070	Inner Ring	1
29	4020010007	Screw M4×10	2
30	4040030001	Washer Ø4	2
31	2020010027	Gear Box	1
32	2010180026	Motor Gear	1
33	1039080001	Motor	1
34	3010020032	Housing	1
35	2030100070	Hook	1
36	3120030126	Forward/Reverse Button	1
37	1130030050	Circuit Board	1
38	1060050017	Switch	1
39	2020180023	Cooling Block	1
40	4020010027	Screw M3×6	1
41	3150170016	Electrode Plate	1
42	4030010145	Screw St2.9×16	7
43	4030010248	Screw St2.9×14	2
44	4020010031	Screw M3×10	1
45	4040080003	Lock Washer	2
46	4060010003	Hexagon Nut M3	2
47	1290090019	Battery	1

WARRANTY

RADLEY CORDLESS DRILL & IMPACT DRIVER KIT WARRANTY

If this Radley Tool fails due to a defect in material or workmanship within three years from the date of purchase, return it to any Home Hardware store with the original bill of sale for exchange. Two years for battery and charger. This warranty does not include expendable parts including but not limited to blades, brushes, belts and light bulbs. This warranty covers defects in material or workmanship only. It does not cover normal wear and tear, failure due to abuse/misuse, or defects caused by careless or accidental mishandling. If this Radley product is used for commercial or rental purposes, this warranty does not apply.

20V MAX IMPACT DRIVER

OWNER'S MANUAL



3 Year Limited Warranty on tool

Radley[®]

RADLEY TOOLS
ST. JACOBS, ONTARIO N0B 2N0
© 2021 Home Hardware Stores Limited
1-866-349-8665
Customer Service/Tech Support

1239 306

Made in China

**3 Year
warranty**

This Radley[®] product carries a three (3) year LIMITED warranty against defects in workmanship and materials. See Owner's Manual for full details.



Intertek
3042597
JD508320

**READ ALL INSTRUCTIONS BEFORE FIRST USE.
KEEP THIS MANUAL FOR FUTURE REFERENCE.
KEEP AWAY FROM CHILDREN.**

Maximum initial battery voltage (measured without a load) is 20 volts. Nominal voltage is 18 volts.



**WEAR CSA APPROVED
EYE PROTECTION**



**WEAR EAR
PROTECTION**



**WEAR FACE
PROTECTION**