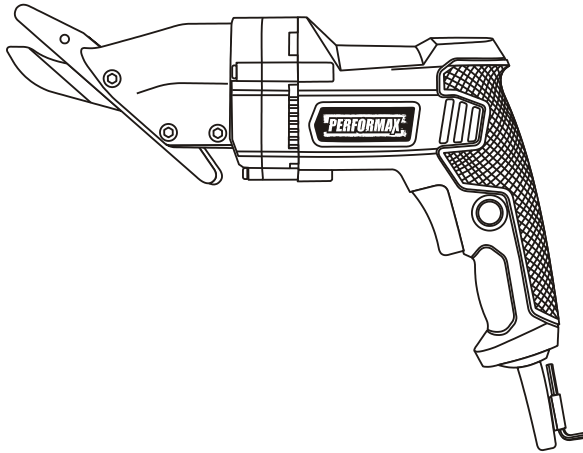




FIBER CEMENT SIDING SHEAR

241-0997

Owner's Manual




PRODUCT SPECIFICATIONS

Rating:	120 V, 60 Hz, AC
Amperes:	4.8 AMP
Speed:	0-2,700 SPM (no load)
Maximum cutting thickness:	5/16" (8 mm)
Weight:	4 lb 13 oz (2.19 kg)
For questions / comments, technical assistance or repair parts – Please Call Toll Free at: 1-866-349-8665 (M–F 9am – 5pm EST) Or email us at: customerservice@powertoolsplus.ca	

TABLE OF CONTENTS

Product specifications	1
Table of contents	2
General safety warnings	3-4
Eye, ear & lung protection	3-4
Electrical safety	4
Power tool safety	5-6
General safety rules	5
Work area	5
Electrical safety	5
Personal safety	5-6
Power tool use and care	6
Service	6
Specific safety rules	7
Extension cord safety	8
Symbols	9
Know your siding shear	10
Assembly and operating	11-12
Adjusting the 360° swivel head	11
Trigger switch & lock-on button	11
Cutting	12
Maintenance	13
Exploded view	14
Parts list	15
Warranty	16

GENERAL SAFETY WARNINGS

 **WARNING:** Before using this tool or any of its accessories, read this manual and follow all Safety Rules and Operating Instructions. The important precautions, safeguards and instructions appearing in this manual are not meant to cover all possible situations. It must be understood that common sense and caution are factors which cannot be built into the product.

This instruction manual includes the following:

- General Safety Rules
- Specific Safety Rules and Symbols
- Functional Description
- Assembly
- Operation
- Maintenance
- Accessories

EYE, EAR & LUNG PROTECTION



ALWAYS WEAR EYE PROTECTION THAT CONFORMS WITH CSA REQUIREMENTS or ANSI SAFETY STANDARD Z87.1

FLYING DEBRIS can cause permanent eye damage. Prescription eyeglasses ARE NOT a replacement for proper eye protection.



WARNING: Non-compliant eyewear can cause serious injury if broken during the operation of a power tool.



WARNING: Use hearing protection, particularly during extended periods of operation of the tool, or if the operation is noisy.

SAVE THESE INSTRUCTIONS FOR REFERENCE

GENERAL SAFETY WARNINGS

EYE, EAR & LUNG PROTECTION – cont'd



WEAR A DUST MASK THAT IS DESIGNED TO BE USED WHEN OPERATING A POWER TOOL IN A DUSTY ENVIRONMENT.



WARNING: Dust that is created by power sanding, sawing, grinding, drilling, and other construction activities may contain chemicals that are known to cause cancer, birth defects, or other genetic abnormalities. These chemicals include:

Lead from lead-based paints
Crystalline silica from bricks, cement, and other masonry products
Arsenic and chromium from chemically treated lumber

The level of risk from exposure to these chemicals varies, according to how often this type of work is performed. In order to reduce exposure to these chemicals, work in a well-ventilated area, and use approved safety equipment, such as a dust mask that is specifically designed to filter out microscopic particles.

ELECTRICAL SAFETY



WARNING: To avoid electrical hazards, fire hazards or damage to the tool, use proper circuit protection.

This tool is wired at the factory for 120 V AC operation. It must be connected to a 120 V AC, 15 A circuit that is protected by a time-delayed fuse or circuit breaker. To avoid shock or fire, replace power cord immediately if it is worn, cut or damaged in any way.

SAVE THESE INSTRUCTIONS FOR REFERENCE

POWER TOOL SAFETY

▲ WARNING: Read all safety warnings and all instructions. Failure to follow the warnings and instructions may result in electric shock, fire and/or serious injury.

Save all warnings and instructions for future reference.

Work area safety

Keep work area clean and well lit. Cluttered or dark areas invite accidents.

Do not operate power tools in explosive atmospheres, such as in the presence of flammable liquids, gases or dust. Power tools create sparks which may ignite the dust or fumes.

Keep children and bystanders away while operating a power tool. Distractions can cause you to lose control.

Electrical safety

Power tool plugs must match the outlet. Never modify the plug in any way. Do not use any adapter plugs with earthed (grounded) power tools. Unmodified plugs and matching outlets will reduce risk of electric shock.

Avoid body contact with earthed or grounded surfaces such as pipes, radiators, ranges and refrigerators. There is an increased risk of electric shock if your body is earthed or grounded.

Do not expose power tools to rain or wet conditions. Water entering a power tool will increase the risk of electric shock.

Do not abuse the cord. Never use the cord for carrying, pulling or unplugging the power tool. Keep cord away from heat, oil, sharp edges or moving parts. Damaged or entangled cords increase the risk of electric shock.

When operating a power tool outdoors, use an extension cord suitable for outdoor use. Use of a cord suitable for outdoor use reduces the risk of electric shock.

If operating a power tool in a damp location is unavoidable, use a ground fault circuit interrupter (GFCI) protected supply. Use of a ground fault circuit interrupter (GFCI) reduces the risk of electric shock.

Personal safety

Stay alert, watch what you are doing and use common sense when operating a power tool. Do not use a power tool while you are tired or under the influence of drugs, alcohol or medication. A moment of inattention while operating power tools may result in serious personal injury.

Use personal protective equipment. Always wear eye protection. Protective equipment such as dust mask, non-skid safety shoes, hard hat, or hearing protection used for appropriate conditions will reduce personal injuries.

Prevent unintentional starting. Ensure the switch is in the off-position before connecting to power source and/or battery pack, picking up or carrying the tool.

Carrying power tools with your finger on the switch or energizing power tools that have the switch on invites accidents.

Remove any adjusting key or wrench before turning the power tool on. A wrench or a key left attached to a rotating part of the power tool may result in personal injury.

Do not overreach. Keep proper footing and balance at all times. This enables better control of the power tool in unexpected situations.

SAVE THESE INSTRUCTIONS FOR REFERENCE

POWER TOOL SAFETY

PERSONAL SAFETY – cont'd

Dress properly. Do not wear loose clothing or jewelry. Keep your hair, clothing and gloves away from moving parts. Loose clothes, jewelry or long hair can be caught in moving parts.

If devices are provided for the connection of dust extraction and collection facilities, ensure these are connected and properly used. Use of dust collection can reduce dust-related hazards.

Power tool use and care

Do not force the power tool. Use the correct power tool for your application. The correct power tool will do the job better and safer at the rate for which it was designed.

Do not use the power tool if the switch does not turn it on and off. Any power tool that cannot be controlled with the switch is dangerous and must be repaired.

Disconnect the plug from the power source and/or the battery pack from the power tool before making any adjustments, changing accessories, or storing power tools. Such preventive safety measures reduce the risk of starting the power tool accidentally.

Store idle power tools out of the reach of children and do not allow persons unfamiliar with the power tool or these instructions to operate the power tool. Power tools are dangerous in the hands of untrained users.

Maintain power tools. Check for misalignment or binding of moving parts, breakage of parts and any other condition that may affect the power tool's operation. If damaged, have the power tool repaired before use. Many accidents are caused by poorly maintained power tools.

Keep cutting tools sharp and clean. Properly maintained cutting tools with sharp cutting edges are less likely to bind and are easier to control.

Use the power tool, accessories and tool bits etc. in accordance with these instructions, taking into account the working conditions and the work to be performed. Use of the power tool for operations different from those intended could result in a hazardous situation.

Service

Have your power tool serviced by a qualified repair person using only identical replacement parts. This will ensure that the safety of the power tool is maintained.

SAVE THESE INSTRUCTIONS FOR REFERENCE

SPECIFIC SAFETY RULES

⚠ WARNING: Know your siding shear. Do not plug the siding shear into the power source until you have read and understand this Instruction Manual. Learn the tool's applications and limitations, as well as the specific potential hazards related to this tool. Following this rule will reduce the risk of electric shock, fire, or serious injury.



⚠ WARNING: Always wear eye protection. Any power tool can throw foreign objects into your eyes and cause permanent eye damage. ALWAYS wear a safety shield (not glasses) that comply with ANSI safety standard Z87.1. Everyday glasses have only impact resistant lenses. They ARE NOT safety glasses.

⚠ WARNING: Glasses, goggles or safety shields not in compliance with ANSI Z87.1 could cause serious injury when they break.

⚠ WARNING: Always wear hearing protection.

⚠ WARNING: Always use a dust mask that is designed to be used when working with cement dust.

⚠ WARNING: Always wear appropriate protective gloves, long sleeved shirt and blue jeans when using the siding shear. Any cuttings contacting your skin may result in serious cuts.

⚠ WARNING: Always keep your hands out of the path of the cutting blades. Avoid awkward hand positions where a sudden slip could cause your hand to move into the path of the cutting blades.

Always remove the plug from the power source before adjusting or changing the blades or rotating the swivel head.

The warnings, precautions and instructions discussed in this Owner's Manual cannot cover all possible conditions and situations that may occur. It must be understood by the operator that common sense and caution are factors which cannot be built into this product, but must be supplied by the operator.

SAVE THESE INSTRUCTIONS FOR REFERENCE

EXTENSION CORD SAFETY

⚠ WARNING: Keep the extension cord clear of the working area. Position the cord so it will not get caught on the workpiece, tools or any other obstructions while you are working with the power tool.

Make sure any extension cord used with this tool is in good condition. When using an extension cord, be sure to use one of heavy enough gauge to carry the current the tool will draw. An undersized cord will cause a drop in line voltage resulting in loss of power and overheating.

The table at the bottom of the page shows the correct size to use according to cord length and nameplate ampere rating. If in doubt, use the next heavier gauge. The smaller the gauge number the heavier the cord.

Be sure your extension cord is properly wired and in good condition. Always replace a damaged extension cord or have it repaired by a qualified electrician before using it. Protect your extension cord from sharp objects, excessive heat and damp or wet areas.


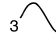


Use a separate electrical circuit for your power tools. This circuit must not be less than 14 gauge wire and should be protected with either a 15 A time delayed fuse or circuit breaker. Before connecting the power tool to the power source, make sure the switch is in the OFF position and the power source is the same as indicated on the nameplate. Running at lower voltage will damage the motor.

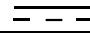










MINIMUM GAUGE (AWG) EXTENSION CORDS (120 V use only)					
Amperage rating		Total length			
More than	Not more than	25' (7.5 m)	50' (15 m)	100' (30 m)	150' (45 m)
0	6	18	16	16	14
6	10	18	16	14	12
10	12	16	16	14	12
12	16	14	12	Not Applicable	

SAVE THESE INSTRUCTIONS FOR REFERENCE

SYMBOLS

⚠ WARNING: Some of the following symbols may appear on the siding shear. Study these symbols and learn their meaning. Proper interpretation of these symbols will allow for more efficient and safer operation of this tool.

V	Volts
A	Amperes
Hz	Hertz
W	Watts
kW	Kilowatts
μF	Microfarads
L	Litres
kg	Kilograms
H	Hours
N/cm ²	Newtons per square centimetre
Pa	Pascals
OPM	Oscillations per minute
Min	Minutes
S	Seconds
 or a.c.	Alternating current
	Three-phase alternating current
	Three-phase alternating current with neutral
	Read all safety warnings and instructions

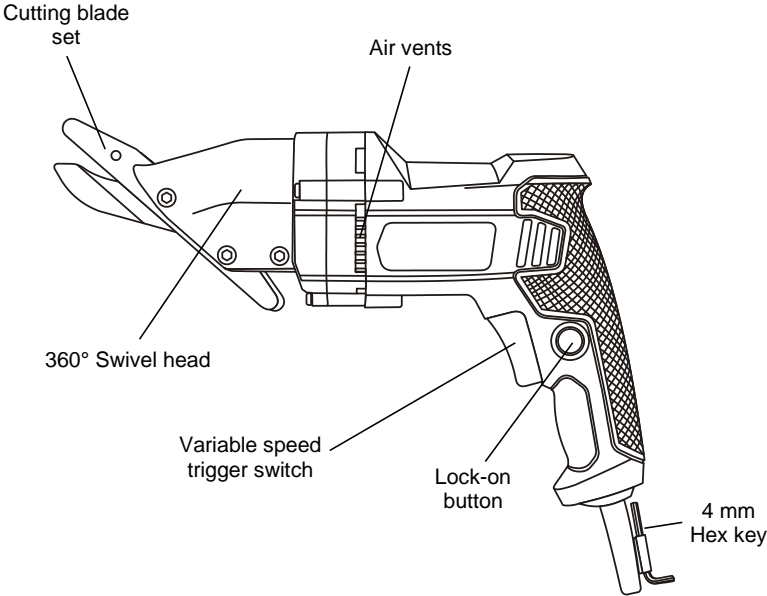
	Direct current
n_0	No load speed
	Alternating or direct current
	Class II construction
	Splash-proof construction
	Watertight construction
	Protective grounding at grounding terminal, Class I tools
.../min	Revolutions or reciprocations per minute
∅	Diameter
0	Off position
	Directional arrow
	Warning symbol
	Wear your safety glasses
	Wear hearing protection
	Wear dust mask



JD2035U

This symbol designates that this tool is listed with U.S. requirements by TÜV Rheinland. Conforms to UL Std. 60745-1 and 60745-2-8.

KNOW YOUR CEMENT FIBER SIDING SHEAR



ASSEMBLY AND OPERATING

ADJUSTING THE 360° SWIVEL HEAD

The cutting head can be rotated through 360° to allow the handle to be positioned so it will not interfere with the cutting area.

▲ WARNING: Remove the plug from the power source before adjusting the swivel head.

▲ WARNING: Wear heavy duty protective gloves when adjusting the cutting head. The blades are sharp and can pinch your fingers, causing serious injury.

1. Loosen the swivel head screw (1) using the 4 mm hex key (2) (Fig. 1).
NOTE: Rotate the screw two turns counter clockwise.

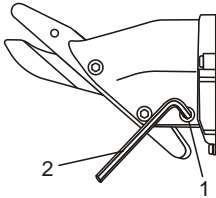


Fig. 1

2. Grasp the body of the tool with one hand and the body of the swivel head (3) with the other hand and rotate the swivel head to the desired position.
3. Re-tighten the swivel head screw.

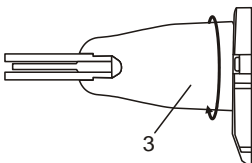


Fig. 2

TRIGGER SWITCH & LOCK-ON BUTTON

The siding shear has a variable speed trigger switch (1) (Fig. 3).

1. To start the tool at the lowest speed, gently squeeze the trigger switch. To increase the speed, squeeze the trigger switch harder.
2. To stop the tool. Release the trigger switch.

When operating the tool for extended periods of time at its fastest speed, the lock-on button can be used to lock the trigger switch ON.

3. To lock the trigger ON, squeeze the trigger until the tool is running at its fastest speed. While squeezing the trigger, press the lock-on button (2) into the handle. While holding the lock-on button into the handle, release the trigger. The tool will continue to run at its fastest speed.
4. To turn the tool OFF, squeeze and then release the trigger.



Fig. 3

ASSEMBLY AND OPERATING

▲ WARNING

For safety reasons, the operator must read the sections of this Owner's Manual entitled "GENERAL SAFETY WARNINGS", "POWER TOOL SAFETY", "SPECIFIC SAFETY RULES", "EXTENSION CORD SAFETY" and "SYMBOLS" before using this siding shear.

Verify the following every time the siding shear is used:

1. Dust mask is being worn.
2. Safety shield, hearing protection, heavy gloves and protective clothing are being worn.
3. The blades are sharp and in good condition.

Failure to observe these safety rules will significantly increase the risk of injury.

CUTTING

▲ WARNING: Before beginning to cut, make sure the work area is clear of any foreign objects and the cutting line is clearly marked on the workpiece. Secure small workpieces in a vise or to a stable platform.

Before cutting the "good" workpiece, make practice cuts on a "scrap" workpiece until you are comfortable with operating the tool and with your ability to follow cutting lines.

1. Place the cutting jaws of the tool at the edge of the workpiece.
NOTE: Make sure the cutting jaws are aligned with the cutting mark, allowing for adequate room for the material being cut away. The cut will be at least 1/16" wide.
2. Squeeze the switch trigger and gradually move the cutting blades into the workpiece (Fig. 4).
NOTE: The scrap piece that is being removed will normally curl out of the way.
3. When cutting a large workpiece or cutting curves, you may wish to rotate the cutting head to reduce the interference with the tool handle. Refer to "ADJUSTING THE 360° SWIVEL HEAD" (Fig. 1).

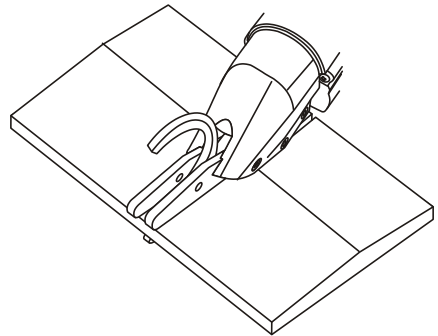


Fig. 4

MAINTENANCE

REPLACING THE CUTTING BLADES

▲ WARNING: Remove the plug from the power source before removing or installing cutting blades. Use caution when handling the cutting blades, as they are sharp and can cause serious injury.

After considerable use, the cutting blades will become worn and will have to be replaced. The following instructions detail how to remove and replace the blades.

Removing old cutting blades

1. Remove all three blade screws (1) (Fig. 5).
NOTE: Turn the screws counter clockwise using the 4 mm hex key.
2. Remove all three blades (2, 3 & 4).
NOTE: Do not lose the two short spacers (5 & 6) and the lone spacer (7).

Installing new cutting blade set 236-0994 (Available at your nearest Menards store)

3. Install the new in the reverse order of "removing old blades" above.

NOTES:

- a. The left blade (2) has two slotted holes. The right blade (4) has one slotted hole and one round hole.
- b. Place the long spacer (7) to the rear of the cutting head
- c. Make sure the blade screw nuts are properly nested in the swivel housing before tightening the blade screws. Do not over tighten the screws.

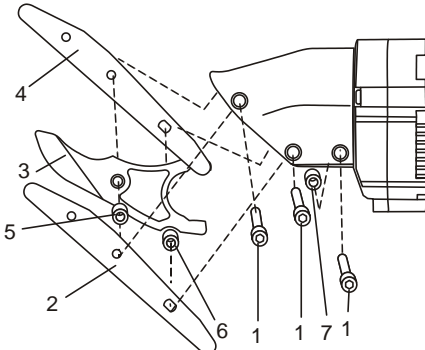


Fig. 5

GENERAL

▲ WARNING: When servicing, use only identical replacement parts. The use of any other part may create a hazard or cause product damage.

DO NOT use solvents when cleaning plastic parts. Plastics are susceptible to damage from various types of commercial solvents and may be damaged by their use. Use a clean cloth to remove dirt, dust, oil, grease etc.

▲ WARNING: Do not allow brake fluids, gasoline, petroleum-based products, penetrating oils, etc. to come into contact with plastic parts. They contain chemicals that can damage, weaken or destroy plastic.

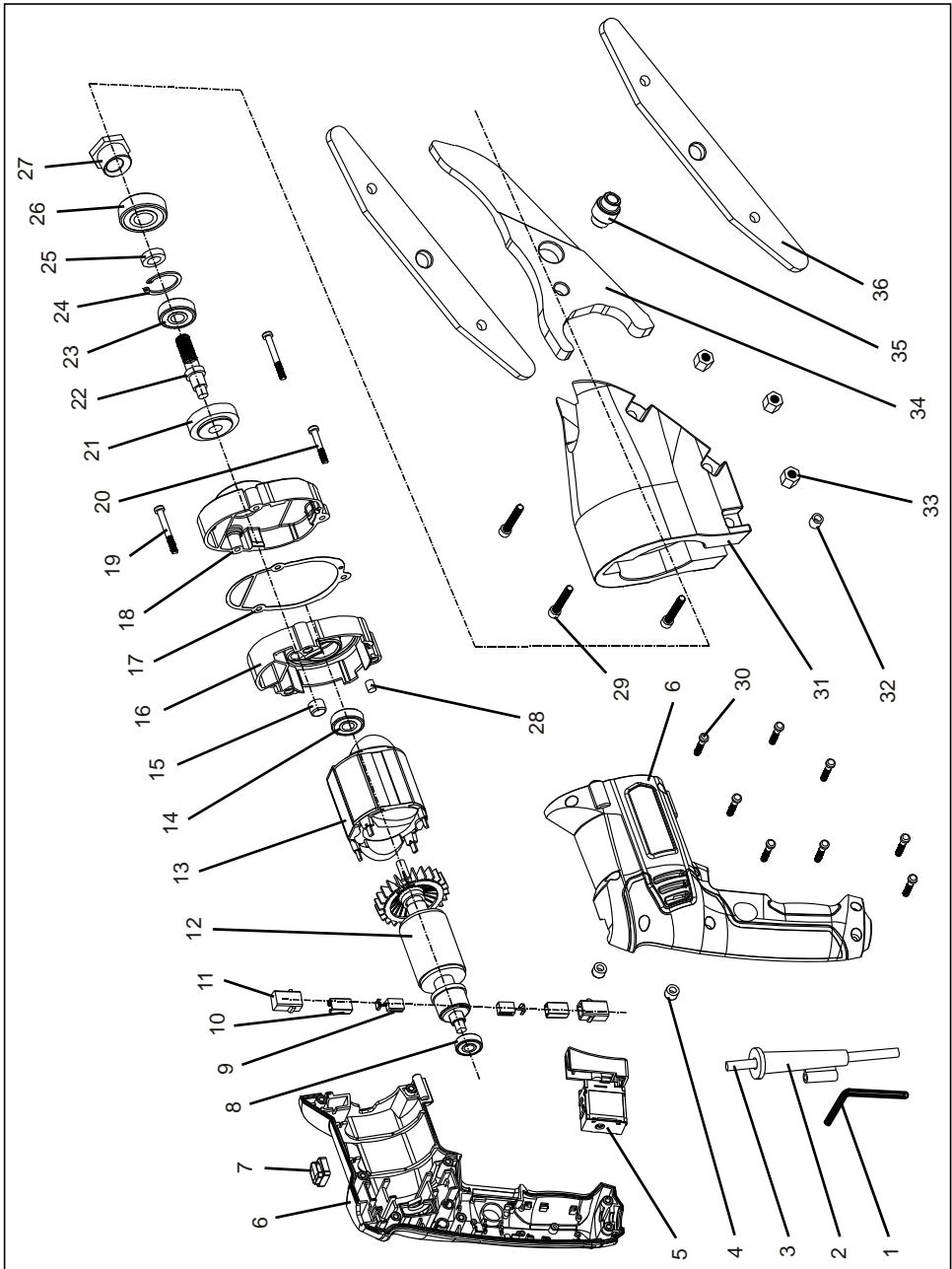
DO NOT abuse power tools. Abusive practices can damage the tool and the workpiece.

▲ WARNING: DO NOT attempt to modify tools or create accessories. Any such alteration or modification is misuse and could result in a hazardous condition leading to possible serious injury. It will also void the warranty.

LUBRICATION

All of the bearings in this tool are lubricated with a sufficient amount of high-grade lubricant for the life of the unit under normal conditions. Therefore, no further lubrication is required.

EXPLODED VIEW



PARTS LIST

▲ WARNING: When servicing, use only original equipment replacement parts. The use of any other parts may create a safety hazard or cause damage to the siding shear.

Any attempt to repair or replace electrical parts on this siding shear may create a safety hazard unless repairs are performed by a qualified technician. For more information, call the Toll-free Helpline, at 1-866-349-8665.

Always order by PART NUMBER, not by key number.

Key #	Part #	Part Name	Quantity
1	6140020011	Hex key	1
2	3140010053	Cord guard	1
3	1190030069	UL plug and cord	1
4	3140060014	Buffer cap	2
5	1061020006	Switch	1
6	3011290001	Housing	2
7	3110010259	Decorative board	1
8	4010010035	Bearing	1
9	1230010103	Carbon brush	2
10	2030070004	Copper brush holder	2
11	3150060002	Brush box	2
12	1010300004	Rotator	1
13	1020300004	Stator	1
14	4010010048	Bearing	1
15	4010020036	Needle bearing	1
16	2020020037	Gear box back cover	1
17	3190060009	Gasket	1
18	2020020036	Gear box front cover	1
19	4030010128	Screw	2
20	4030010229	Screw	1
21	2040080038	Output gear	1
22	2040290077	Output shaft	1
23	4010010054	Bearing	1
24	4100010002	Circlip for hole	1
25	2030020271	Washer	1
26	4010010126	Bearing	1
27	2040290111	Eccentric wheel	1
28	3140060031	Buffer post	1
29	4020080076	Screw	3
30	4030010106	Screw	8
31	2020050099	Aluminum shell	1
32	2040310064	Bushing	1
33	4060090018	Nut	3
34	2040250034	Blade	1
35	2040310063	Bushing	1
36	2040250033	Blade	2

PERFORMAX® FIBER CEMENT SIDING SHEAR WARRANTY

30-DAY MONEY BACK GUARANTEE:

This PERFORMAX® brand power tool carries our 30-Day Money Back Guarantee. If you are not completely satisfied with your PERFORMAX® brand power tool for any reason within thirty (30) days from the date of purchase, return the tool with your original receipt to any MENARDS® retail store, and we will provide you a refund – no questions asked.

2-YEAR LIMITED WARRANTY:

This PERFORMAX® brand power tool carries a 2-Year Limited Warranty to the original purchaser. If, during normal use, this PERFORMAX® power tool breaks or fails due to a defect in material or workmanship within two (2) years from the date of original purchase, simply bring this tool with the original sales receipt back to your nearest MENARDS® retail store. At its discretion, PERFORMAX® agrees to have the tool or any defective part(s) repaired or replaced with the same or similar PERFORMAX® product or part free of charge, within the stated warranty period, when returned by the original purchaser with original sales receipt. Notwithstanding the foregoing, this limited warranty does not cover any damage that has resulted from abuse or misuse of the Merchandise. This warranty: (1) excludes expendable parts including but not limited to blades, brushes, belts, bits, light bulbs, and/or batteries; (2) shall be void if this tool is used for commercial and/or rental purposes; and (3) does not cover any losses, injuries to persons/property or costs. This warranty does give you specific legal rights and you may have other rights, which vary from state to state. Be careful, tools are dangerous if improperly used or maintained. Seller's employees are not qualified to advise you on the use of this Merchandise. Any oral representation(s) made will not be binding on seller or its employees. The rights under this limited warranty are to the original purchaser of the Merchandise and may not be transferred to any subsequent owner. This limited warranty is in lieu of all warranties, expressed or implied including warranties or merchantability and fitness for a particular purpose. Seller shall not be liable for any special, incidental, or consequential damages. The sole exclusive remedy against the seller will be for the replacement of any defects as provided herein, as long as the seller is willing or able to replace this product or is willing to refund the purchase price as provided above. For insurance purposes, seller is not allowed to demonstrate any of these power tools for you.

For questions / comments, technical assistance or repair parts –
Please Call Toll Free at: 1-866-349-8665 (M-F 9am – 5pm)
Or email us at: customerservice@powertoolsplus.ca

SAVE YOUR RECEIPTS. THIS WARRANTY IS VOID WITHOUT THEM.

Distributed by: Menard, Inc., Eau Claire, WI 54703