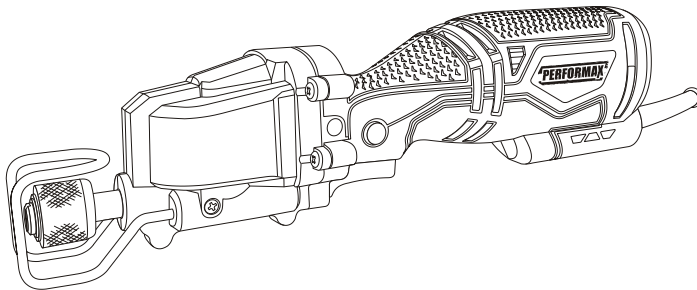




# 5-AMP CORDED COMPACT RECIPROCATING SAW

241-0946

## Owner's Manual



### PRODUCT SPECIFICATIONS

Rating:	120V, 60Hz, AC
Amperes:	5 AMP
Speed:	0–3,500 SPM (no load)
Stroke Length:	1/2"
Blade change system:	Tool-less
Weight:	5.1 lb
For questions / comments, technical assistance or repair parts – Please Call Toll Free at: 1-866-349-8665 (M-F 9am – 5pm EST) Or email us at: <a href="mailto:customerservice@powertoolsplus.ca">customerservice@powertoolsplus.ca</a>	

# TABLE OF CONTENTS

Product specifications .....	1
Table of contents .....	2
General safety warnings .....	3–4
Eye, ear & lung protection .....	3–4
Electrical safety .....	4
Power tool safety .....	5–6
General safety rules .....	5
Work area .....	5
Electrical safety .....	5
Personal safety .....	5–6
Power tool use and care.....	6
Service .....	6
Specific safety rules .....	7
Extension cord safety .....	8
Symbols .....	9
Know your reciprocating saw .....	10
Assembly and operating .....	11–14
Installing a blade .....	11
Removing a blade .....	11
Variable speed trigger switch .....	11
Lock-on button .....	11–12
Materials you can cut .....	12
General cutting .....	12–13
Plunge cutting .....	13
Metal cutting .....	13–14
Maintenance .....	15
Exploded view .....	16
Parts list .....	17–18
Warranty .....	19

# GENERAL SAFETY WARNINGS



**WARNING:** Before using this tool or any of its accessories, read this manual and follow all Safety Rules and Operating Instructions. The important precautions, safeguards and instructions appearing in this manual are not meant to cover all possible situations. It must be understood that common sense and caution are factors which cannot be built into the product.

This instruction manual includes the following:

- General Safety Rules
- Specific Safety Rules and Symbols
- Functional Description
- Assembly
- Operation
- Maintenance
- Accessories

## EYE, EAR & LUNG PROTECTION



**ALWAYS WEAR EYE PROTECTION THAT CONFORMS WITH CSA REQUIREMENTS or ANSI SAFETY STANDARD Z87.1**

FLYING DEBRIS can cause permanent eye damage. Prescription eyeglasses ARE NOT a replacement for proper eye protection.



**WARNING:** Non-compliant eyewear can cause serious injury if broken during the operation of a power tool.



**WARNING:** Use hearing protection, particularly during extended periods of operation of the tool, or if the operation is noisy.

**SAVE THESE INSTRUCTIONS FOR REFERENCE**

## GENERAL SAFETY WARNINGS



**WEAR A DUST MASK THAT IS DESIGNED TO BE USED WHEN OPERATING A POWER TOOL IN A DUSTY ENVIRONMENT.**



**WARNING:** Dust that is created by power sanding, sawing, grinding, drilling, and other construction activities may contain chemicals that are known to cause cancer, birth defects, or other genetic abnormalities. These chemicals include:

Lead from lead-based paints  
Crystalline silica from bricks, cement, and other masonry products  
Arsenic and chromium from chemically treated lumber

The level of risk from exposure to these chemicals varies, according to how often this type of work is performed. In order to reduce exposure to these chemicals, work in a well-ventilated area, and use approved safety equipment, such as a dust mask that is specifically designed to filter out microscopic particles.

## ELECTRICAL SAFETY



**WARNING:** To avoid electrical hazards, fire hazards or damage to the tool, use proper circuit protection.

This tool is wired at the factory for 120 V AC operation. It must be connected to a 120 V AC, 15 A circuit that is protected by a time-delayed fuse or circuit breaker. To avoid shock or fire, replace power cord immediately if it is worn, cut or damaged in any way.

**SAVE THESE INSTRUCTIONS FOR REFERENCE**

# POWER TOOL SAFETY

**▲ WARNING:** Read all safety warnings, instructions, illustrations and specifications provided with this power tool. Failure to follow all instructions listed below may result in electric shock, fire and/or serious injury.

Save all warnings and instructions for future reference.

## Work area safety

Keep work area clean and well lit. Cluttered or dark areas invite accidents.

Do not operate power tools in explosive atmospheres, such as in the presence of flammable liquids, gases or dust. Power tools create sparks which may ignite the dust or fumes.

Keep children and bystanders away while operating a power tool. Distractions can cause you to lose control.

## Electrical safety

Power tool plugs must match the outlet. Never modify the plug in any way. Do not use any adapter plugs with earthed (grounded) power tools. Unmodified plugs and matching outlets will reduce risk of electric shock.

Avoid body contact with earthed or grounded surfaces such as pipes, radiators, ranges and refrigerators. There is an increased risk of electric shock if your body is earthed or grounded.

Do not expose power tools to rain or wet conditions. Water entering a power tool will increase the risk of electric shock.

Do not abuse the cord. Never use the cord for carrying, pulling or unplugging the power tool. Keep cord away from heat, oil, sharp edges or moving parts. Damaged or entangled cords increase the risk of electric shock.

When operating a power tool outdoors, use an extension cord suitable for outdoor use. Use of a cord suitable for outdoor use reduces the risk of electric shock.

If operating a power tool in a damp location is unavoidable, use a residual current device (RCD) protected supply. Use of an RCD reduces the risk of electric shock.

## Personal safety

Stay alert, watch what you are doing and use common sense when operating a power tool. Do not use a power tool while you are tired or under the influence of drugs, alcohol or medication. A moment of inattention while operating power tools may result in serious personal injury.

Use personal protective equipment. Always wear eye protection. Protective equipment such as dust mask, non-skid safety shoes, hard hat, or hearing protection used for appropriate conditions will reduce personal injuries.

Prevent unintentional starting. Ensure the switch is in the off-position before connecting to power source and/or battery pack, picking up or carrying the tool. Carrying power tools with your finger on the switch or energizing power tools that have the switch on invites accidents.

Remove any adjusting key or wrench before turning the power tool on. A wrench or a key left attached to a rotating part of the power tool may result in personal injury.

Do not overreach. Keep proper footing and balance at all times. This enables better control of the power tool in unexpected situations.

Dress properly. Do not wear loose clothing or jewelry. Keep your hair, clothing and gloves away from moving parts. Loose clothes, jewelry or long hair can be caught in moving parts.

**SAVE THESE INSTRUCTIONS FOR REFERENCE**

# POWER TOOL SAFETY

*Personal safety – cont'd*

**If devices are provided for the connection of dust extraction and collection facilities, ensure these are connected and properly used.** Use of dust collection can reduce dust-related hazards.

**Do not let familiarity gained from frequent use of tools allow you to become complacent and ignore tool safety principles.** A careless action can cause severe injury within a fraction of a second.

## **Power tool use and care**

**Do not force the power tool. Use the correct power tool for your application.** The correct power tool will do the job better and safer at the rate for which it was designed.

**Do not use the power tool if the switch does not turn it on and off.** Any power tool that cannot be controlled with the switch is dangerous and must be repaired.

**Disconnect the plug from the power source and/or the battery pack, if detachable, from the power tool before making any adjustments, changing accessories, or storing power tools.** Such preventive safety measures reduce the risk of starting the power tool accidentally.

**Store idle power tools out of the reach of children and do not allow persons unfamiliar with the power tool or these instructions to operate the power tool.** Power tools are dangerous in the hands of untrained users.

**Maintain power tools. Check for misalignment or binding of moving parts, breakage of parts and any other condition that may affect the power tool's operation. If damaged, have the power tool repaired before use.** Many accidents are caused by poorly maintained power tools.

**Keep cutting tools sharp and clean.** Properly maintained cutting tools with sharp cutting edges are less likely to bind and are easier to control.

**Use the power tool, accessories and tool bits etc. in accordance with these instructions, taking into account the working conditions and the work to be performed.** Use of the power tool for operations different from those intended could result in a hazardous situation.

**Keep handles and grasping surfaces dry, clean and free from oil and grease.** Slippery handles and grasping surfaces do not allow for safe handling and control of the tool in unexpected situations.

**Hold the power tool by insulated gripping surfaces, when performing an operation where the cutting accessory may contact hidden wiring or its own cord.** Cutting accessory contacting a "live" wire may make exposed metal parts of the power tool "live" and could give the operator an electric shock.

**Use clamps or another practical way to secure and support the workpiece to a stable platform.** Holding the workpiece by hand or against your body leaves it unstable and may lead to loss of control.

## **Service**

**Have your power tool serviced by a qualified repair person using only identical replacement parts.** This will ensure that the safety of the power tool is maintained.

**SAVE THESE INSTRUCTIONS FOR REFERENCE**

## SPECIFIC SAFETY RULES

**⚠ WARNING: Know your reciprocating saw. Do not plug in the tool until you have read and understand this Instruction Manual. Learn the tool's applications and limitations, as well as the specific potential hazards related to this tool.** Following this rule will reduce the risk of electric shock, fire, or serious injury.



Always wear eye protection. Any power tool can throw foreign objects into your eyes and cause permanent eye damage.

ALWAYS wear safety goggles (not glasses) that comply with ANSI safety standard Z87.1. Everyday glasses have only impact resistant lenses. They ARE NOT safety glasses.

**⚠ WARNING: Glasses or goggles not in compliance with ANSI Z87.1 could cause serious injury when they break.**

**⚠ WARNING: Always use hearing protection when sawing, particularly during extended periods of operation.**

**⚠ WARNING: Always unplug the tool from the power source before changing the blade and when making any adjustments.**

Do not wear gloves, neckties or loose clothing.

Hold the tool by its insulated gripping surfaces when performing an operation where the saw blade may contact hidden wiring or its own cord. Contact with a "live" wire will make exposed metal parts of the tool "live" and shock the operator.

Always hold the tool with two hands. Attempting to control the tool with only one hand is dangerous. It could result in loss of control and serious injury.

Never hold the workpiece in one hand and the tool in the other hand when sawing. Never place the hands near or below the cutting surface. Clamp the workpiece and guide the tool with both hands.

Always make sure the work surface is free from nails and other foreign objects. Cutting into a nail can cause the blade and the tool to jump and damage the blade.

Never lay the workpiece on hard surfaces like concrete, stone, etc. The protruding blade may cause tool to jump.

After changing a blade or making adjustments, make sure the blade clamp is holding the blade securely. Loose blades could be violently thrown from the tool.

Never use dull or damaged blades. Sharp blades must be handled with care. Damaged blades can snap during use. Dull blades require more force to cut the workpiece, possibly causing the blade to break.

Never touch the blade during or immediately after use. After use the blade is too hot to be touched.

**SAVE THESE INSTRUCTIONS FOR REFERENCE**

# EXTENSION CORD SAFETY

**⚠ WARNING:** Keep the extension cord clear of the working area. Position the cord so it will not get caught on the workpiece, tools or any other obstructions while you are working with the power tool.

Make sure any extension cord used with this tool is in good condition. When using an extension cord, be sure to use one of heavy enough gauge to carry the current the tool will draw. An undersized cord will cause a drop in line voltage resulting in loss of power and overheating.

The table at right shows the correct size to use according to cord length and nameplate ampere rating. If in doubt, use the next heavier gauge. The smaller the gauge number the heavier the cord.

Be sure your extension cord is properly wired and in good condition. Always replace a damaged extension cord or have it repaired by a qualified electrician before using it. Protect your extension cord from sharp objects, excessive heat and damp or wet areas.

Use a separate electrical circuit for your power tools. This circuit must not be less than 14 gauge wire and should be protected with either a 15 AMP time delayed fuse or circuit breaker. Before connecting the power tool to the power source, make sure the switch is in the OFF position and the power source is the same as indicated on the nameplate. Running at lower voltage will damage the motor.

**⚠ WARNING:** Repair or replace damaged or worn extension cords immediately.

Select the appropriate extension cord gauge and length using the chart below.

When operating a power tool outdoors, use an outdoor extension cord marked "W-A" or "W". These cords are rated for outdoor use and reduce the risk of electric shock.

**⚠ WARNING:** Keep the extension cord clear of the working area. Position the cord so it will not get caught on the workpiece, tools or any other obstructions while you are working with the power tool.


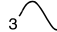


<b>MINIMUM GAUGE (AWG) EXTENSION CORDS (120V use only)</b>					
Amperage rating		Total length			
More than	Not more than	25' (7.5 m)	50' (15 m)	100' (30 m)	150' (45 m)
0	6	18	16	16	14
6	10	18	16	14	12
10	12	16	16	14	12
12	16	14	12	Not Applicable	











**SAVE THESE INSTRUCTIONS FOR REFERENCE**



# SYMBOLS

**▲ WARNING:** Some of the following symbols may appear on the reciprocating saw. Study these symbols and learn their meaning. Proper interpretation of these symbols will allow for more efficient and safer operation of this tool.

V	Volts
A	Amperes
Hz	Hertz
W	Watts
kW	Kilowatts
μF	Microfarads
L	Liters
kg	Kilograms
H	Hours
N/cm <sup>2</sup>	Newtons per square centimeter
Pa	Pascals
OPM	Oscillations per minute
Min	Minutes
S	Seconds
 or a.c.	Alternating current
	Three-phase alternating current
	Three-phase alternating current with neutral
	Direct current

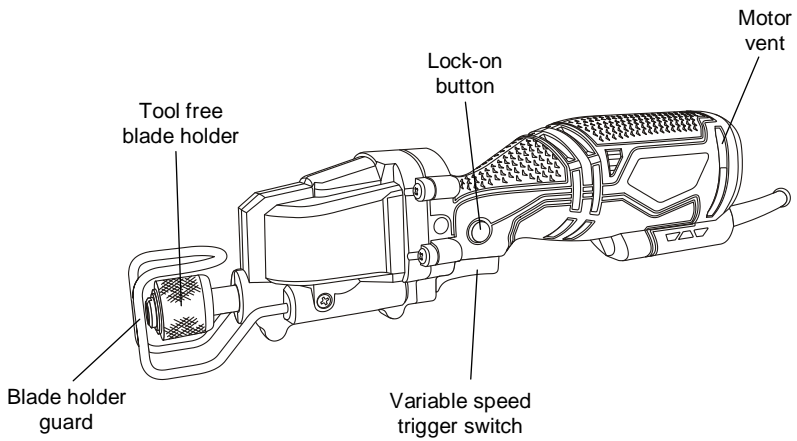
$n_0$	No load speed
	Alternating or direct current
	Class II construction
	Splash-proof construction
	Watertight construction
	Protective grounding at grounding terminal, Class I tools
.../min	Revolutions or reciprocations per minute
∅	Diameter
0	Off position
	Directional arrow
	Warning symbol
	Wear your safety glasses
	Wear a dust mask
	Wear hearing protection



This symbol designates that this tool is listed with U.S. requirements by **TÜVRheinland**.  
Conforms to UL Std. 62841-1 and 62841-2-11.

JD3518U

# KNOW YOUR RECIPROCATING SAW



# ASSEMBLY AND OPERATING

## INSTALLING A BLADE

**⚠ WARNING:** Always remove the plug from the power source before installing or removing a blade or adjusting the saw in any way.

1. To install a blade in the saw, rotate the blade locking sleeve (1) counter clockwise (Fig. 1).
2. Insert the appropriate blade (2) into the blade slot (3) as far as it will go.
3. Release the blade locking sleeve.

**NOTE:** The blade will automatically be locked into the blade holder. Pull outward on the blade to ensure it is properly locked into the blade holder.

## REMOVING A BLADE

To remove a blade, simply rotate the blade locking sleeve counter clockwise and remove the blade from the blade holder.

**⚠ CAUTION:** Wear gloves when removing the blade. It is sharp when new and it will be very hot immediately after use.

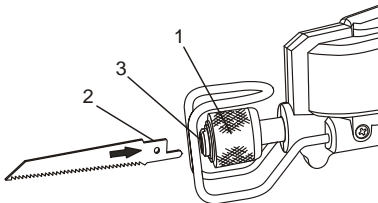


Fig. 1

## VARIABLE SPEED TRIGGER SWITCH

The variable speed trigger switch controls both the ON/OFF function and the speed of the tool.

1. To turn the saw ON, squeeze the trigger (1) slightly (Fig. 2).  
**NOTE:** The saw will start at its slowest speed.
2. To increase the speed of the saw, squeeze the trigger harder.  
**NOTE:** When the trigger is squeezed fully, the saw will run at its maximum speed.
3. To turn the saw OFF, release the trigger.

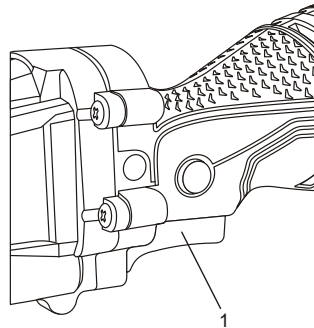


Fig. 2

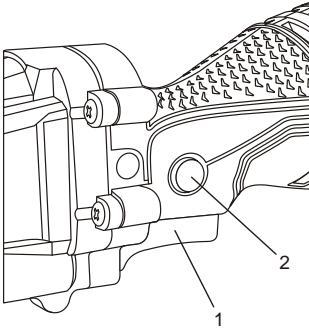
## LOCK-ON BUTTON

Your reciprocating saw is equipped with a lock-on feature, which is convenient when continuous cutting for extended periods of time is required (Fig. 3). To lock the switch ON, fully depress the trigger switch (1), push in and hold the lock-on button (2) located at the left side of the handle, then release the trigger. Release the lock-on button and your reciprocating saw will continue running. To turn the saw OFF, depress and release the trigger switch to release lock.

**NOTE:** The lock-on button will only function when the saw is running at full speed.

# ASSEMBLY AND OPERATING

## LOCK-ON BUTTON – cont'd



**Fig. 3**

### MATERIALS YOU CAN CUT

This reciprocating saw is a versatile tool that allows you to cut many different types of materials. Some of these materials include:

- Wood products such as lumber, hardwood, plywood, composite board, and paneling
- Drywall
- Fiber board and plastic
- Metals, such as pipe, steel rods, sheet steel, aluminum, brass, and copper.

**NOTE:** There are many different types of blades available. Generally, there are metal cutting blades (fine teeth) and wood cutting blades (coarse teeth). Use the correct blade for your application. The packaging on the blade will indicate the type of materials each blade is designed to cut.

### **▲ WARNING**

For safety reasons, the operator must read the sections of this Owner's Manual entitled "GENERAL SAFETY WARNINGS", "POWER TOOL SAFETY", "SPECIFIC SAFETY RULES", "EXTENSION CORD SAFETY" and "SYMBOLS" before using this reciprocating saw.

Verify the following every time the reciprocating saw is used:

1. The correct blade for the material being cut is installed in the saw.
2. The blade is firmly clamped in the blade holder.
3. The blade is sharp and in good condition.
4. The workpiece is properly secured.
5. Safety glasses and hearing protection are being worn.

**Failure to observe these safety rules will significantly increase the risk of injury.**

### GENERAL CUTTING

1. Clearly mark the workpiece to locate the position of the cut.
2. Hold smaller workpieces with a vice. Clamp larger workpieces to a workbench or table.

**▲ DANGER:** Any workpiece that is not adequately clamped in place may come loose and cause serious injury. Never hold the workpiece with your hand.

3. Make sure there are no nails, screws, clamps or foreign materials in the path of the saw blade.
4. Hold the saw away from your body and in front of you (Fig. 4).

# ASSEMBLY AND OPERATING

## GENERAL CUTTING – cont'd

5. With both hands firmly gripping the saw, and with the blade NOT in contact with the surface to be cut, start the saw by squeezing the switch trigger.
6. Once the saw has reached the desired speed, place the blade holder guard against the workpiece and gradually bring the moving blade into contact with the workpiece at the appropriate location.

**▲ CAUTION:** Do not force the saw. Use only enough force to keep the blade cutting. Excessive pressure on the blade will cause it to bend and twist, which may result in breaking the blade.

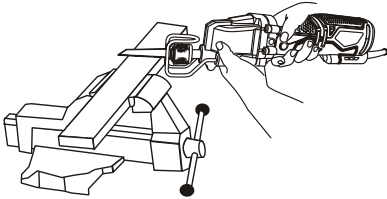


Fig. 4

## PLUNGE CUTTING

1. Clearly mark the workpiece to locate the position of the cut.
2. Clamp the workpiece to a workbench or table (Fig. 5).

**NOTE:** Make sure the area to be cut is clear under the workpiece so that the blade will not come into contact with anything other than the workpiece.

3. Select a convenient starting point in the area to be cut out. Place the tip of the blade over that point.
4. Rest the lower edge of the blade holder guard on the workpiece and hold it firmly in that position, maintaining a shallow cutting angle.
5. Squeeze the switch trigger to start the saw.

**▲ WARNING:** Make sure the blade does not touch the workpiece until the saw reaches full speed. Loss of control and possible injury could result.

6. With the saw running at full speed, slowly tilt the saw until the tip of the blade contacts the workpiece and begins to cut. After the blade cuts through the workpiece, tilt the saw upward until the blade is perpendicular to the workpiece.

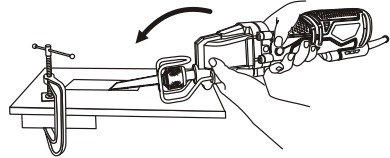


Fig. 5

## METAL CUTTING

Metals such as pipe, steel rods, sheet steel, aluminum, brass and copper can be cut with your reciprocating saw (Fig. 6).

**NOTE:** Always use an appropriate blade when cutting metal.

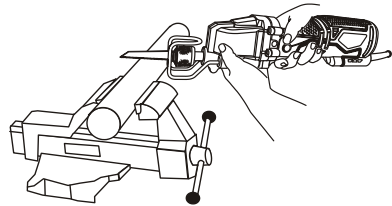


Fig. 6

- To cut thin sheet material, "sandwich" the material between hardboard or plywood and clamp the layers to limit vibration and material tearing.
- Always use a fine toothed metal cutting blade and run the saw at medium speeds when cutting metal.
- Use cutting oil to keep the blade cool, increase cutting action, and prolong the life of the blade.

# ASSEMBLY AND OPERATING

## *METAL CUTTING – cont'd*

- Do not twist or bend the saw blade.
- Do not force the saw blade. Let it cut at its own speed.

### **⚠ DANGER:**

- a) Always clamp the workpiece in a vice, or to a workbench or table. Do not hold workpiece in your hand.**
- b) Never use gasoline as a lubricant or as a cleaning agent. A spark from the motor may cause an explosion. Gasoline will also damage the plastic components of the saw.**

# MAINTENANCE

## GENERAL

**⚠ WARNING: When servicing, use only identical replacement parts. The use of any other part may create a hazard or cause product damage.**

DO NOT use solvents when cleaning plastic parts. Plastics are susceptible to damage from various types of commercial solvents and may be damaged by their use. Use a clean cloth to remove dirt, dust, oil, grease etc.

**⚠ WARNING: Do not allow brake fluids, gasoline, petroleum-based products, penetrating oils, etc. to come into contact with plastic parts. They contain chemicals that can damage, weaken or destroy plastic.**

DO NOT abuse power tools. Abusive practices can damage the tool and the workpiece.

**⚠ WARNING: DO NOT attempt to modify tools or create accessories. Any such alteration or modification is misuse and could result in a hazardous condition leading to possible serious injury. It will also void the warranty.**

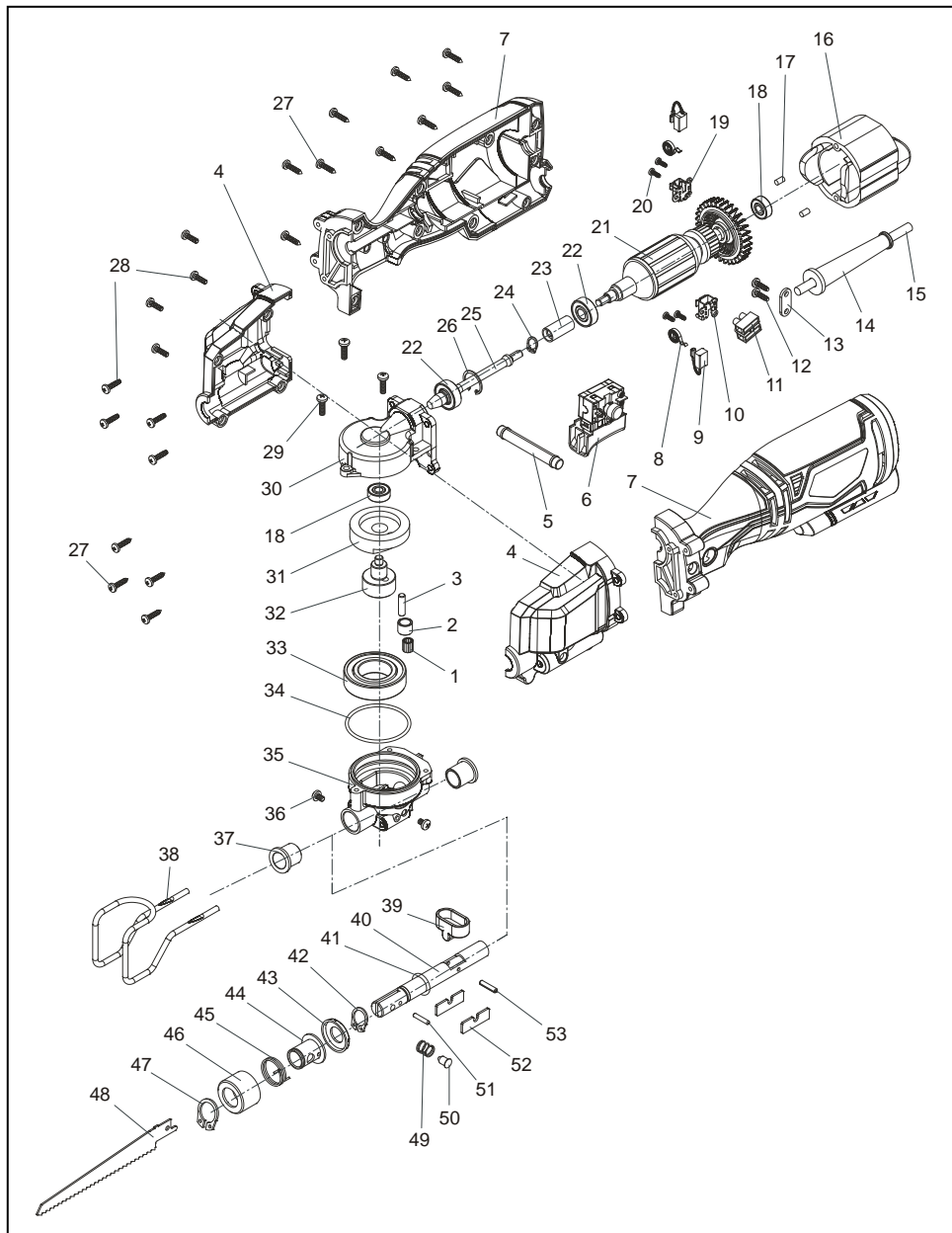
It has been found that electric tools are subjected to accelerated wear and possible premature failure when they are used on fiberglass boats and sports cars, wallboard, spackling compounds or plaster. The chips and grindings from these materials are highly abrasive to electric tool parts such as bearings, brushes, commutators, etc. Consequently, it is not recommended that this tool be used for extended work on any fiberglass material, wallboard, spackling compounds or plaster. During any use on these materials it is extremely important that the tool is cleaned frequently by blowing it out with an air jet.

**⚠ WARNING: Always wear safety goggles or safety glasses with side shields during all cutting operations. It is critical that you also wear safety goggles or safety glasses with side shields and a dust mask while blowing dust out of the reciprocating saw with an air jet. Failure to take these safety precautions could result in permanent eye or lung damage.**

## LUBRICATION

All of the bearings in this tool are lubricated with a sufficient amount of high-grade lubricant for the life of the unit under normal conditions. Therefore, no further lubrication is required.

# EXPLODED VIEW





# PARTS LIST

**▲ WARNING:** When servicing, use only original equipment replacement parts. The use of any other parts may create a safety hazard or cause damage to the reciprocating saw.

Any attempt to repair or replace electrical parts on this reciprocating saw may create a safety hazard unless repairs are performed by a qualified technician. For more information, call the Toll-free Helpline, at 1-866-349-8665.

**Always order by PART NUMBER, not by key number.**

Key #	Part #	Part Name	Quantity
1	4110130001	Kingpin $\phi 1.5 \times 8.5$	13
2	2040310061	Needle bearing $\phi 11 \times \phi 8 \times 8.5$	1
3	2040160222	Kingpin $\phi 5 \times 18$	1
4	3160100018	Gear housing assembly	1
5	3110010255	Blocking shaft	1
6	1062020079	Switch block	1
7	3011110019	Housing	1
8	2050020031	Wind up spring	2
9	1230010161	Carbon brush	2
10	1230030037	Brush holder	1
11	1250010009	Termination block HYT230	1
12	4030010096	Tapping screw ST3.9*12	2
13	2030050002	Cable clamp	1
14	3140010088	Cable strain relief	1
15	1190030069	UL power cord with plug	1
16	211000026	Stator	1
17	3140060002	Cushioning Pads $\phi 4 \times 7$	2
18	4010010032	Bearing #606Z	2
19	1230030036	Brush holder	1
20	4030010023	Tapping screw ST2.9*8	4

# PARTS LIST

Key #	Part #	Part Name	Quantity
21	1010110019	Rotor	1
22	4010010036	Bearing #608Z	4
23	2010080149	Sleeve	1
24	4100020006	Circlip #8	1
25	2040110057	Pinion gear with shaft	1
26	4100010007	Circlip #22	1
27	4030010102	Tapping screws ST3.9*16	13
28	4030010074	Tapping screws ST3.9*14	8
29	4020010201	Gear housing screws M4*14	3
30	2020020059	Top half of gearbox cover	1
31	2040110058	Eccentric gear	1
32	2040040136	Eccentric shaft	1
33	4010010163	Bearing #6005Z	1
34	3140020162	O-ring $\phi 47 * \phi 2.4$	1
35	2020020060	Gearbox cover	1
36	4020010206	Tapping screws M4*6	2
37	2010080155	Reciprocating rod bushings	2
38	2030100087	Wire guard	1
39	2060010002	Reciprocating driver	1
40	1150010054	Reciprocating rod	1
41	3140020163	O-ring $\phi 12.8 * \phi 16 * 21$	1
42	4100020008	Circlip	1
43	3150160186	Rear cap	1
44	2040310033	Blade sleeve holder $\phi 22.2 * \phi 16 * 21$	1
45	2050050045	Torsion spring $\phi 22.2 * \phi 1.2$	1
46	2040310034	Blade quick release sleeve	1
47	4100020013	Circlip #16	1
48	6060030012	Blade	1
49	2050060204	Coil spring $\phi 0.5 * \phi 6 * 8$	1
50	2040160170	Spring holding pin $\phi 7.5 * 11.3$	1
51	2040160171	Sleeve locating pin $\phi 3 * 15.7$	1
52	2030100086	Anti friction pieces	2
53	4130010017	Spring retaining pin $\phi 3 * 16$	1

## **PERFORMAX® RECIPROCATING SAW WARRANTY**

### **30-DAY MONEY BACK GUARANTEE:**

This PERFORMAX® brand power tool carries our 30-Day Money Back Guarantee. If you are not completely satisfied with your PERFORMAX® brand power tool for any reason within thirty (30) days from the date of purchase, return the tool with your original receipt to any MENARDS® retail store, and we will provide you a refund – no questions asked.

### **2-YEAR LIMITED WARRANTY:**

This PERFORMAX® brand power tool carries a 2-Year Limited Warranty to the original purchaser. If, during normal use, this PERFORMAX® power tool breaks or fails due to a defect in material or workmanship within two (2) years from the date of original purchase, simply bring this tool with the original sales receipt back to your nearest MENARDS® retail store. At its discretion, PERFORMAX® agrees to have the tool or any defective part(s) repaired or replaced with the same or similar PERFORMAX® product or part free of charge, within the stated warranty period, when returned by the original purchaser with original sales receipt. Notwithstanding the foregoing, this limited warranty does not cover any damage that has resulted from abuse or misuse of the Merchandise. This warranty: (1) excludes expendable parts including but not limited to blades, brushes, belts, bits, light bulbs, and/or batteries; (2) shall be void if this tool is used for commercial and/or rental purposes; and (3) does not cover any losses, injuries to persons/property or costs. This warranty does give you specific legal rights and you may have other rights, which vary from state to state. Be careful, tools are dangerous if improperly used or maintained. Seller's employees are not qualified to advise you on the use of this Merchandise. Any oral representation(s) made will not be binding on seller or its employees. The rights under this limited warranty are to the original purchaser of the Merchandise and may not be transferred to any subsequent owner. This limited warranty is in lieu of all warranties, expressed or implied including warranties or merchantability and fitness for a particular purpose. Seller shall not be liable for any special, incidental, or consequential damages. The sole exclusive remedy against the seller will be for the replacement of any defects as provided herein, as long as the seller is willing or able to replace this product or is willing to refund the purchase price as provided above. For insurance purposes, seller is not allowed to demonstrate any of these power tools for you.

For questions / comments, technical assistance or repair parts –  
Please Call Toll Free at: 1-866-349-8665 (M-F 9am – 5pm EST)

**SAVE YOUR RECEIPTS. THIS WARRANTY IS VOID WITHOUT THEM.**

Distributed by: Menard, Inc., Eau Claire, WI 54703