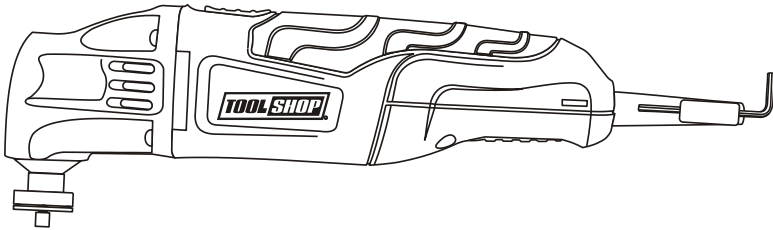




OSCILLATING TOOL

241-8503
Owner's Manual



PRODUCT SPECIFICATIONS

Rating:	120 V, 60 Hz AC
Amperes:	2.0 A
Speed:	21,000 OPM (no load)
Oscillating angle:	2.8°
Weight:	2 lb 11 oz (1.23 kg)

Need Assistance?

Call us on our toll free customer support line:

1-866-349-8665

- Technical questions
- Replacement parts
- Parts missing from package

TABLE OF CONTENTS

Product specifications	1
Table of contents	2
General safety warnings	3–4
Eye, ear & lung protection	3–4
Electrical safety	4
Power tool safety	5–6
General safety rules	5
Work area safety	5
Electrical safety	5
Personal safety	5–6
Power tool use and care	6
Service	6
Specific safety rules	7
Symbols	8
Know your oscillating tool	9
Accessories	9
Assembly and operating	10–14
Installing accessories	10–11
Installing sandpaper	11
ON/OFF switch	11
Selecting the correct blade	11
Flush cutting a door jamb and casing for installing flooring	12
Cutting a hole in wood flooring to install a heating vent	12–13
Cutting a hole in drywall for installing an electrical outlet box	13–14
Using the scraper blade	14
Maintenance	15
Exploded view	16
Parts list	17
Warranty	18

GENERAL SAFETY WARNINGS



WARNING: Before using this tool or any of its accessories, read this manual and follow all Safety Rules and Operating Instructions. The important precautions, safeguards and instructions appearing in this manual are not meant to cover all possible situations. It must be understood that common sense and caution are factors which cannot be built into the product.

This instruction manual includes the following:

- General Safety Rules
- Specific Safety Rules and Symbols
- Functional Description
- Assembly
- Operation
- Maintenance
- Accessories

EYE, EAR & LUNG PROTECTION



ALWAYS WEAR EYE PROTECTION THAT CONFORMS WITH CSA REQUIREMENTS or ANSI SAFETY STANDARD Z87.1

FLYING DEBRIS can cause permanent eye damage. Prescription eyeglasses ARE NOT a replacement for proper eye protection.



WARNING: Non-compliant eyewear can cause serious injury if broken during the operation of a power tool.



WARNING: Use hearing protection, particularly during extended periods of operation of the tool, or if the operation is noisy.

SAVE THESE INSTRUCTIONS FOR REFERENCE

GENERAL SAFETY WARNINGS



WEAR A DUST MASK THAT IS DESIGNED TO BE USED WHEN OPERATING A POWER TOOL IN A DUSTY ENVIRONMENT.



WARNING: Dust that is created by power sanding, sawing, grinding, drilling, and other construction activities may contain chemicals that are known to cause cancer, birth defects, or other genetic abnormalities. These chemicals include:

Lead from lead-based paints

Crystalline silica from bricks, cement, and other masonry products

Arsenic and chromium from chemically treated lumber

The level of risk from exposure to these chemicals varies, according to how often this type of work is performed. In order to reduce exposure to these chemicals, work in a well-ventilated area, and use approved safety equipment, such as a dust mask that is specifically designed to filter out microscopic particles.

ELECTRICAL SAFETY



WARNING: To avoid electrical hazards, fire hazards or damage to the tool, use proper circuit protection.

This tool is wired at the factory for 120 V AC operation. It must be connected to a 120 V AC, 15 A circuit that is protected by a time-delayed fuse or circuit breaker. To avoid shock or fire, replace power cord immediately if it is worn, cut or damaged in any way.

SAVE THESE INSTRUCTIONS FOR REFERENCE

POWER TOOL SAFETY

▲ WARNING: Read all safety warnings and instructions. Failure to follow the warnings and instructions may result in electric shock, fire and/or serious injury.

Save all warnings and instructions for future reference.

Work area safety

Keep work area clean and well lit. Cluttered or dark areas invite accidents.

Do not operate power tools in explosive atmospheres, such as in the presence of flammable liquids, gases or dust. Power tools create sparks which may ignite the dust or fumes.

Keep children and bystanders away while operating a power tool. Distractions can cause you to lose control.

Electrical safety

Power tool plugs must match the outlet. Never modify the plug in any way. Do not use any adapter plugs with earthed (grounded) power tools. Unmodified plugs and matching outlets will reduce risk of electric shock.

Avoid body contact with earthed or grounded surfaces such as pipes, radiators, ranges and refrigerators. There is an increased risk of electric shock if your body is earthed or grounded.

Do not expose power tools to rain or wet conditions. Water entering a power tool will increase the risk of electric shock.

Do not abuse the cord. Never use the cord for carrying, pulling or unplugging the power tool. Keep cord away from heat, oil, sharp edges or moving parts. Damaged or entangled cords increase the risk of electric shock.

When operating a power tool outdoors, use an extension cord suitable for outdoor use. Use of a cord suitable for outdoor use reduces the risk of electric shock.

If operating a power tool in a damp location is unavoidable, use a residual current device (RCD) protected supply. Use of a ground fault circuit interrupter (GFCI) reduces the risk of electric shock.

Personal safety

Stay alert, watch what you are doing and use common sense when operating a power tool. Do not use a power tool while you are tired or under the influence of drugs, alcohol or medication. A moment of inattention while operating power tools may result in serious personal injury.

Use personal protective equipment. Always wear eye protection. Protective equipment such as dust mask, non-skid safety shoes, hard hat, or hearing protection used for appropriate conditions will reduce personal injuries.

Prevent unintentional starting. Ensure the switch is in the off-position before connecting to power source and/or battery pack, picking up or carrying the tool. Carrying power tools with your finger on the switch or energizing power tools that have the switch on invites accidents.

Remove any adjusting key or wrench before turning the power tool on. A wrench or a key left attached to a rotating part of the power tool may result in personal injury.

Do not overreach. Keep proper footing and balance at all times. This enables better control of the power tool in unexpected situations.

Dress properly. Do not wear loose clothing or jewelry. Keep your hair, clothing and gloves away from moving parts. Loose clothes, jewelry or long hair can be caught in moving parts.

SAVE THESE INSTRUCTIONS FOR REFERENCE

POWER TOOL SAFETY

Personal safety – cont'd

If devices are provided for the connection of dust extraction and collection facilities, ensure these are connected and properly used. Use of dust collection can reduce dust-related hazards.

Power tool use and care

Do not force the power tool. Use the correct power tool for your application. The correct power tool will do the job better and safer at the rate for which it was designed.

Do not use the power tool if the switch does not turn it on and off. Any power tool that cannot be controlled with the switch is dangerous and must be repaired.

Disconnect the plug from the power source and/or the battery pack from the power tool before making any adjustments, changing accessories, or storing power tools. Such preventive safety measures reduce the risk of starting the power tool accidentally.

Store idle power tools out of the reach of children and do not allow persons unfamiliar with the power tool or these instructions to operate the power tool. Power tools are dangerous in the hands of untrained users.

Maintain power tools. Check for misalignment or binding of moving parts, breakage of parts and any other condition that may affect the power tool's operation. If damaged, have the power tool repaired before use. Many accidents are caused by poorly maintained power tools.

Keep cutting tools sharp and clean. Properly maintained cutting tools with sharp cutting edges are less likely to bind and are easier to control.

Use the power tool, accessories and tool bits etc. in accordance with these instructions, taking into account the working conditions and the work to be performed. Use of the power tool for operations different from those intended could result in a hazardous situation.

Hold power tool by insulated gripping surfaces when performing an operation where the cutting tool may contact hidden wiring or its own cord. Contact with a "live" wire will make exposed metal parts of the tool "live" and shock the operator.

Use clamps or another practical way to secure and support the workpiece to a stable platform. Holding the work by hand or against your body leaves it unstable and may lead to loss of control.

Service

Have your power tool serviced by a qualified repair person using only identical replacement parts. This will ensure that the safety of the power tool is maintained.

SAVE THESE INSTRUCTIONS FOR REFERENCE

SPECIFIC SAFETY RULES

⚠ WARNING: Know your oscillating tool. Do not plug the tool into the power source until you have read and understand this Instruction Manual. Learn the tool's applications and limitations, as well as the specific potential hazards related to this tool. Following this rule will reduce the risk of electric shock, fire, or serious injury.



Always wear eye protection. Any power tool can throw foreign objects into your eyes and cause permanent eye damage. ALWAYS wear safety goggles (not glasses) that comply with ANSI safety standard Z87.1. Everyday glasses have only impact resistant lenses. They ARE NOT safety glasses.

⚠ WARNING: Glasses or goggles not in compliance with ANSI Z87.1 could cause serious injury when they break.

Always keep hands out of the path of the saw blade. Avoid awkward hand positions where a sudden slip could cause your hand to move into the path of the saw blade.

Secure workpiece. Use clamps or a vice to hold the workpiece. It is safer than using your hand and it frees both hands to operate the tool.

Make sure there are no nails or foreign objects in the part of the workpiece to be cut or sanded.

To avoid injury from accidental starting, always remove the plug from the power source before installing or removing an accessory.

Never use dull blades in the tool. They will cut slower, leave rough cuts and break easily due to added pressure and excessive heat. They will also overload the motor and cause premature failure of the tool.

Never use damaged or bent blades. They will be brittle and break easily possibly causing injury to the operator.




Never touch a saw blade immediately after using the tool. The blade will be extremely hot and will burn your hand.









Only use accessories designed for use with this tool.

SAVE THESE INSTRUCTIONS FOR REFERENCE

SYMBOLS

⚠ WARNING: Some of the following symbols may appear on the oscillating tool. Study these symbols and learn their meaning. Proper interpretation of these symbols will allow for more efficient and safer operation of this tool.

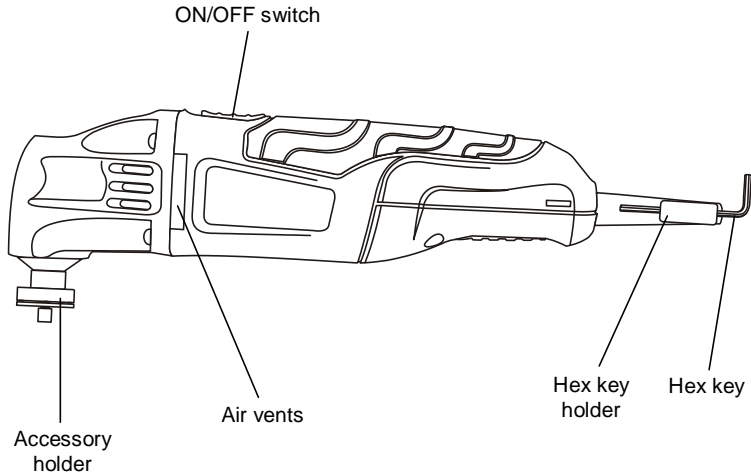
V	Volts
A	Amperes
Hz	Hertz
W	Watts
kW	Kilowatts
μF	Microfarads
L	Liters
kg	Kilograms
H	Hours
N/cm²	Newtons per square centimeter
Pa	Pascals
Min	Minutes
S	Seconds
	Alternating current
	Three-phase alternating current
	Three-phase alternating current with neutral

	Direct current
n₀	No load speed
	Alternating or direct current
	Class II construction
	Splash-proof construction
	Watertight construction
	Protective grounding at grounding terminal, Class I tools
.../min	Revolutions or reciprocations per minute
∅	Diameter
0	Off position
	Directional arrow
	Warning symbol

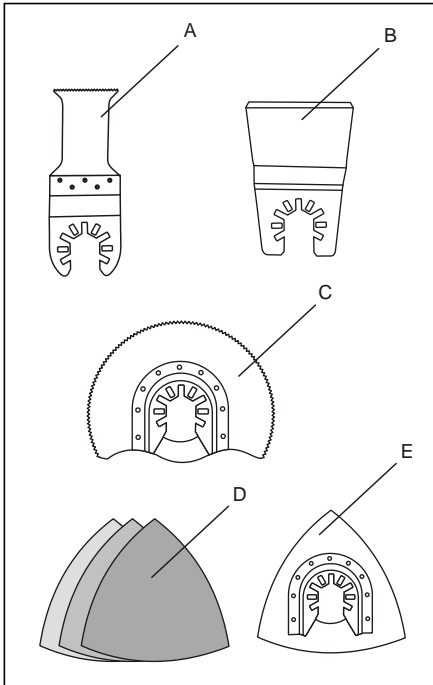


This symbol designates that this tool is listed with U.S. requirements by ETL Testing Laboratories, Inc. Conforms to UL Std. 60745-1, 60745-2-4.

KNOW YOUR OSCILLATING-TOOL



ACCESSORIES



OSCILLATING TOOL COMPONENTS		
KEY	DESCRIPTION	QTY
A	1 1/4" Wood & drywall plunge cutting saw blade	1
B	2" Rigid scraper blade	1
C	3 1/2" Half round wood & drywall saw blade	1
D	Triangular sandpaper	
	• 60 grit	1
	• 120 grit	1
• 240 grit	1	
E	Triangular sanding pad	1

ASSEMBLY AND OPERATING

NOTE: The drawings in the assembly and operating section of this manual may differ slightly from the tool you purchased.

INSTALLING ACCESSORIES

All accessories are installed on this oscillating tool in a similar manner. For the purposes of describing the accessory installation, the half circle cutting blade has been illustrated.

▲ DANGER: Always remove the plug from the power source before installing or removing accessories or sandpaper. Failing to remove the plug from the power source may result in the tool accidentally being started and causing serious injury to the operator.

1. Remove the screw (1) and washer (2) from the accessory holder (3) by turning the screw counter clockwise. Use the 5 mm Hex key (4) if the screw is too tight to be removed by hand (Fig. 1).

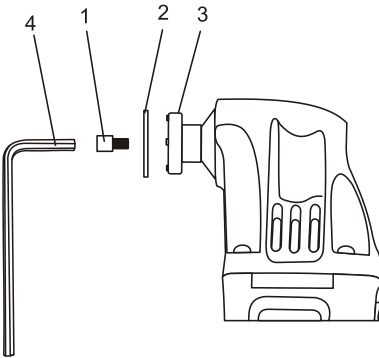


Fig. 1

NOTES:

- a) For "open back" accessories (Fig. 1a), the blade screw does not have to be removed. Simply loosen the blade screw sufficiently to allow the accessory mount to slide between the washer and the accessory holder.

- b) For "closed back" accessories (Fig. 1b), the blade screw and washer must be completely removed from the tool.

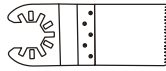


Fig. 1a



Fig. 1b

2. Place the blade (5) on the accessory holder (Fig. 2).

NOTES:

- a) Make sure the alignment holes (6) in the blade fit over the alignment pins (7) in the accessory holder and the printed side of the blade is facing the tool.
 - b) The blade can be mounted at various angles left or right of center if required.
3. Thread the screw (1) through the washer (2) and the blade and into the accessory holder threaded hole (8).
 4. Turn the screw clockwise until it is finger tight.

NOTES:

- a) Check to make sure the convex curve of the washer (9) is facing the head of the screw and the slots in the edge of the washer fit over the alignment pins in the accessory holder.
 - b) Make sure the alignment holes in the blade are still mated with the alignment pins in the accessory holder.
5. Firmly tighten the screw with the 5 mm hex key.

NOTE: Check to make sure the holes in the blade are still mated with the alignment pins on the accessory holder after the screw is fully tightened.

ASSEMBLY AND OPERATING

INSTALLING ACCESSORIES – cont'd

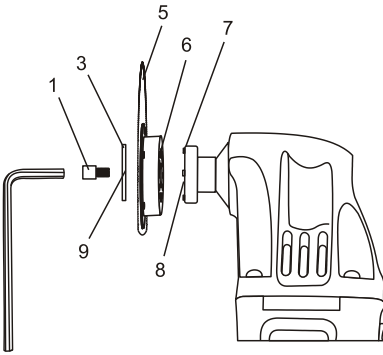


Fig. 2

INSTALLING SANDPAPER

1. Install the hook & loop sanding pad (1) onto the tool (Fig. 3).
2. Firmly press the sandpaper (2) onto the hook & loop pad.

NOTES:

- Place the sandpaper so the holes in the sandpaper line up with the matching holes in the hook & loop pad.
- Press the sandpaper firmly onto the hook & loop pad.

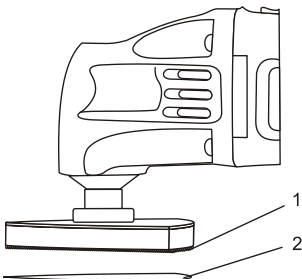


Fig. 3

3. To remove the sandpaper, simply peel the sandpaper away from the hook & loop pad (Fig. 4).

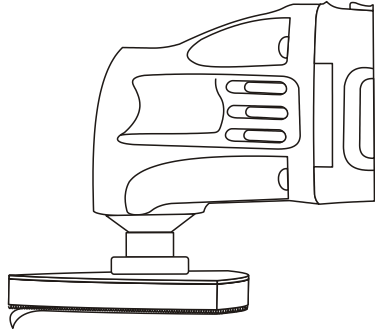


Fig. 4

ON/OFF SWITCH

1. To turn the tool ON, slide the ON/OFF switch (1) toward the front of the tool (Fig. 5).
2. To turn the tool OFF, slide the ON/OFF switch toward the rear of the tool.

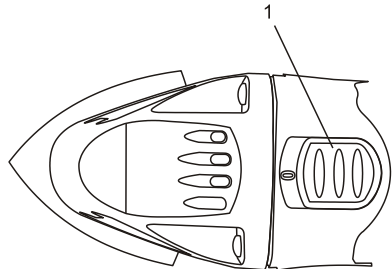


Fig. 5

SELECTING THE CORRECT BLADE

Project	Accessory
Drywall	Half circle blade or plunge blade
Restoring windows	Half circle blade
Door jamb	Wood blade
Door casing	Wood blade
Wood dowels	Wood blade
Floor vent	Wood blade
PVC pipe	Wood blade
Glued flooring	Scraper
Sanding flat surface	3" sanding pad

ASSEMBLY AND OPERATING

▲ WARNING

For safety reasons, the operator must read the sections of this Owner's Manual entitled "GENERAL SAFETY WARNINGS", "POWER TOOL SAFETY", "SPECIFIC SAFETY RULES", "EXTENSION CORD SAFETY" and "SYMBOLS" before using this oscillating tool.

Verify the following every time the oscillating tool is used:

1. Safety glasses, safety goggles, or face shield are being worn.
2. Hearing protection is being worn.
3. The blade or sandpaper is in good condition.
4. The accessory is properly tightened onto the accessory holder of the tool.

Failure to observe these safety rules will significantly increase the risk of injury.

FLUSH CUTTING A DOOR JAMB AND CASING FOR INSTALLING FLOORING

The oscillating tool can be used to flush cut a door jamb and casing to allow space for the new flooring to fit neatly under the door jamb and casing. For the purpose of demonstrating the procedure, floor tile is being used.

1. Install the plunge cutting wood saw blade for wood in the tool (Page 10).
NOTE: The blade should be centered on the tool housing and NOT installed in the 90° position.
2. Place a scrap piece of floor tile (1) on the floor about 1/2" (25 mm) from the door jamb (2) (Fig. 6).
NOTE: Make sure the "good" side of the tile is facing upward to provide a smooth surface for the blade to follow.

3. Place the tool with the saw blade (3) lightly touching the surface of the tile and the cutting teeth NOT touching the surface to be cut.
4. Turn the tool ON (Fig. 5 Page 11).
5. When the tool reaches its maximum speed, carefully plunge the blade into the door jamb while sliding the blade along the floor tile.
NOTE: Hold the tool tightly and do not put too much forward pressure on the saw blade when cutting, as this will cause the tool to vibrate excessively.

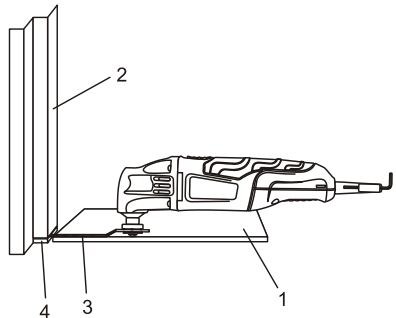


Fig. 6

6. Continue to make several plunge cuts until the bottom of the door jamb and casing are completely cut off and the loose pieces can be easily removed.

Follow the same basic procedure for installing carpet, using a thicker spacer that is the same thickness of the carpet being installed.

CUTTING A HOLE IN WOOD FLOORING TO INSTALL A HEATING VENT

The oscillating tool can be used to cut a hole in wood flooring for installing a heating vent.

1. Use a stud finder before cutting through the floor to confirm that no floor joist will interfere with the cut out.

ASSEMBLY AND OPERATING

CUTTING A HOLE IN WOOD FLOORING TO INSTALL A HEATING VENT – cont'd

2. Install the plunge cutting saw blade for wood in the tool (Page 10).
NOTE: The blade should be centered on the tool housing and NOT installed in the 90° position.
3. Place the floor vent on the floor and use a soft lead pencil to trace the required rectangular hole (1) on the flooring (Fig. 7).
4. Place the saw blade (2) near the floor surface in the middle of one of the cutting lines.
5. Turn the tool ON (Fig. 5 Page 11).

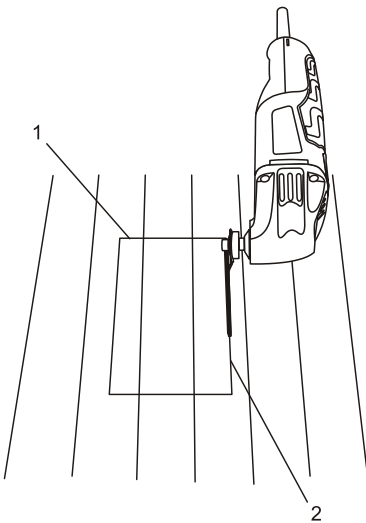


Fig. 7

NOTE: The tool and blade should be at a 45° angle to the floor to allow the corner of the blade to plunge cut into the flooring.

6. While holding the tool tightly, slowly plunge the corner of the blade into the flooring until it cuts through the flooring. Once the plunge cut is complete, set the tool to its highest speed and complete the cut to the corner of the rectangle.
7. Turn the saw OFF, remove it from the cut and proceed to cut in the opposite direction to complete the cut for the first side of the rectangle.
8. Repeat steps #4, #5 & #6 to cut the remaining three sides of the rectangle.
9. When all cuts are complete, use a flat blade screw driver to carefully pry the cut-out from the floor.

NOTE: Do **NOT** use the saw blade to pry the cut-out from the floor. You will break the blade. If the cut-out is not easy to pry from the floor, check to make sure each line is cut completely into the corner of the rectangle.

CUTTING A HOLE IN DRYWALL FOR INSTALLING AN ELECTRICAL OUTLET BOX

The oscillating tool can be used to cut a hole in drywall for installing an electrical outlet box.

1. Use a stud finder before cutting through the drywall to confirm that no wall stud will interfere with the cut out.
2. Install the half circle saw blade for wood & drywall in the tool (Page 10).
NOTE: The blade should be centered on the tool housing and NOT installed in the 90° position.
3. Place the outlet box on the drywall and use a soft lead pencil to trace the required rectangular hole (1) on the drywall (Fig. 8).

ASSEMBLY AND OPERATING

CUTTING A HOLE IN DRYWALL FOR INSTALLING AN ELECTRICAL OUTLET BOX – cont'd

4. Place the corner edge of the saw blade (2) near the drywall in the middle of one of the cutting lines.
5. When the tool reaches its maximum speed, carefully plunge the blade into the drywall until it cuts through the drywall. Complete the cut to the corner of the rectangle.
NOTE: Hold the tool tightly and do not put too much pressure on the saw blade when cutting.
6. Turn the saw OFF, remove it from the cut and proceed to cut in the opposite direction to complete the cut for the first side of the rectangle.
7. Repeat steps #4, #5 & #6 to cut the remaining three sides of the rectangle.
8. When all cuts are complete, use a flat blade screw driver to carefully pry the cut-out from the drywall.

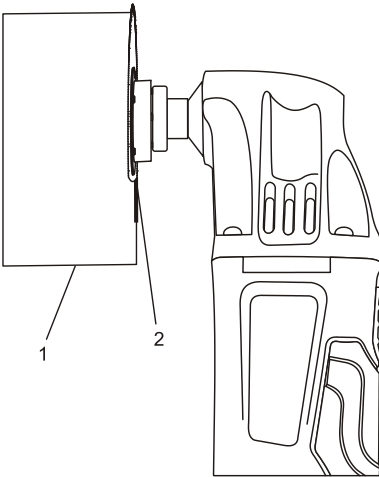


Fig. 8

USING THE SCRAPER BLADE

1. Install the scraper blade on the oscillating tool (Page 10).
2. Turn the switch ON (Page 11).

When using the scraper blade to scrape old finishes or glue from a workpiece, place the under side of the blade flat on the workpiece surface and then lift upward on the rear of the tool to allow the blade to form a very slight angle with the workpiece surface. Feed the blade slowly into the material that is to be removed. Do not force the tool as slower travel speeds will produce better cutting action and reduce the risk of gouging the workpiece.

When using the scraper blade to cut carpet, place a scrap workpiece under the carpet where the cut is being made. Turn the tool so the scraper blade is at right angles (perpendicular) to the carpet and then feed the blade into the carpet.

MAINTENANCE

GENERAL

⚠ WARNING: When servicing, use only identical replacement parts. The use of any other part may create a hazard or cause product damage.

DO NOT use solvents when cleaning plastic parts. Plastics are susceptible to damage from various types of commercial solvents and may be damaged by their use. Use a clean cloth to remove dirt, dust, oil, grease etc.

⚠ WARNING: Do not allow brake fluids, gasoline, petroleum-based products, penetrating oils, etc. to come into contact with plastic parts. They contain chemicals that can damage, weaken or destroy plastic.

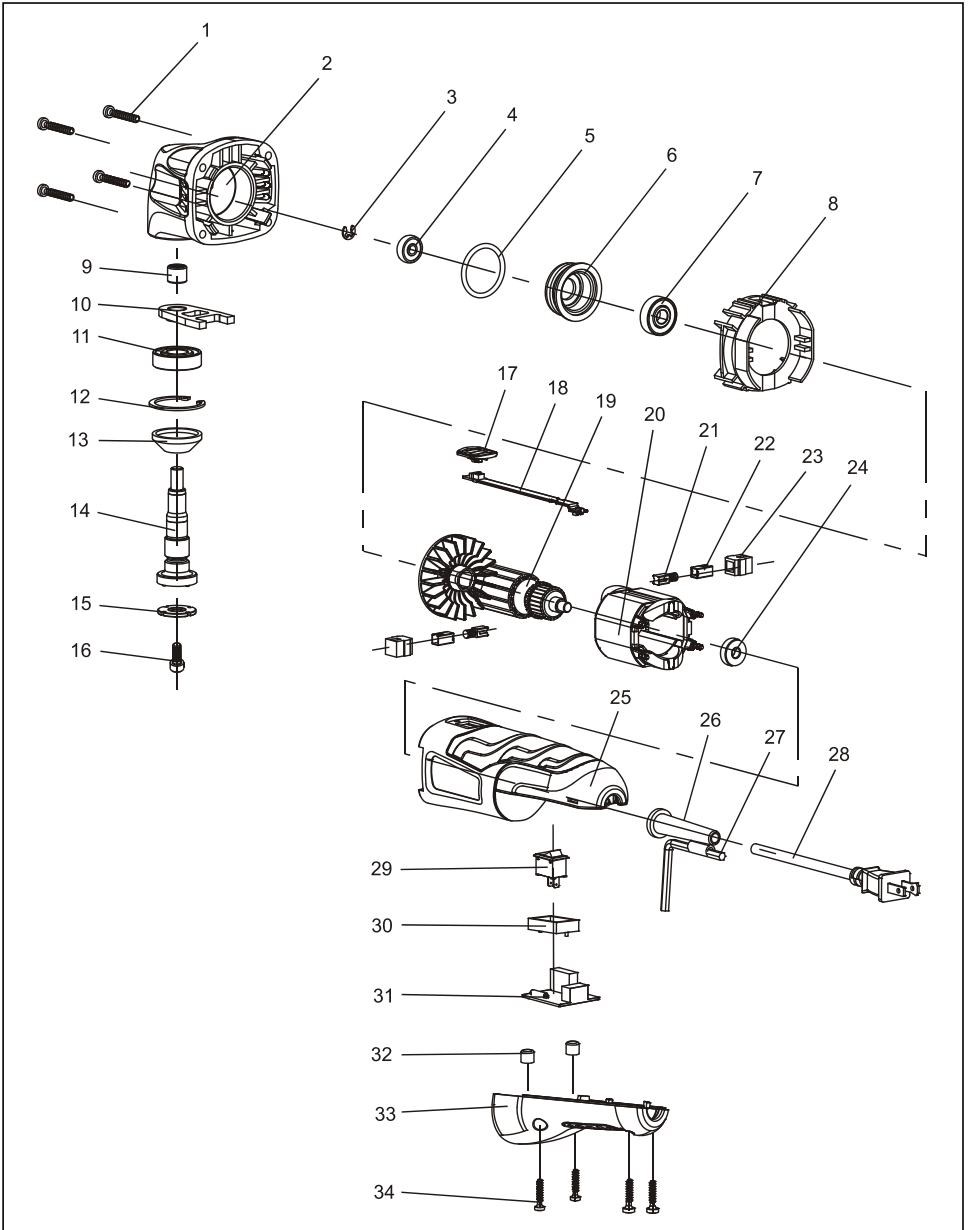
DO NOT abuse power tools. Abusive practices can damage the tool and the workpiece.

⚠ WARNING: DO NOT attempt to modify tools or create accessories. Any such alteration or modification is misuse and could result in a hazardous condition leading to possible serious injury. It will also void the warranty.

LUBRICATION

All of the bearings in this tool are lubricated with a sufficient amount of high-grade lubricant for the life of the unit under normal conditions. Therefore, no further lubrication is required.

EXPLODED VIEW



PARTS LIST

⚠ WARNING: When servicing, use only original equipment replacement parts. The use of any other parts may create a safety hazard or cause damage to the oscillating tool.

Any attempt to repair or replace electrical parts on this oscillating tool may create a safety hazard unless repairs are performed by a qualified technician. For more information, call the Toll-free Helpline, at 1-866-349-8665 Monday – Friday from 9am to 5pm Eastern Standard Time.

Always order by PART NUMBER, not by key number.

Key #	Part #	Part Name	Quantity
1	4030010114	Screw ST3.9X25	4
2	3110010140	Gear housing	1
3	2020050031	Circlip	1
4	4020080032	Eccentric / bearing	1
5	2030020177	O-ring	1
6	4100010003	Bearing carrier	1
7	3140130003	Motor ball bearing 608-2Z	1
8	4010020005	Baffle	1
9	2030200004	Needle bearing	1
10	4010010055	Fork	1
11	2040290048	Ball bearing 6001-2RS	1
12	4100050001	Circlip	1
13	4010050002	Rubber cup grease retainer	1
14	3140020049	Output shaft	1
15	2020130027	Flat washer	1
16	4010010036	Bolt	1
17	3120010050	On/Off knob	1
18	3150050047	On/Off switch lever	1
19	1020210004	Rotor	1
20	3120110040	Stator	1
21	1010210004	Carbon brush assembly	2
22	1230010059	Brush holder sleeve	2
23	2030070001	Brush holder / support	2
24	3150060005	Ball bearing 607-2Z	1
25	4010010035	Motor housing	1
26	1061150016	Power cord strain relief	1
27	3150160117	Hex key	1
28	1130080009	Power cord	1
29	4030010026	Power On/Off switch	1
30	3011210004	Switch supporting frame	1
31	3140060014	PCB	2
32	4060090009	Vibration control bumpers	2
33	3140010032	Brushes access cover	1
34	1190030008	Screw ST3.9X19	4

TOOL SHOP® OSCILLATING TOOL WARRANTY

1-YEAR LIMITED WARRANTY:

This TOOL SHOP® brand power tool carries a 1-Year Limited Warranty to the original purchaser. If the tool fails within one (1) year from the date of purchase, simply bring this tool with your original sales receipt back to your nearest MENARDS® retail store. At its discretion, TOOL SHOP® agrees to have the tool replaced with the same or similar TOOL SHOP® product free of charge, within the stated warranty period, when returned by the original purchaser with original sales receipt. Notwithstanding the foregoing, this limited warranty does not cover any damage that has resulted from abuse or misuse of the Merchandise. This warranty: (1) excludes expendable parts including but not limited to blades, belts, bits, light bulbs, and/or batteries; (2) shall be void if this tool is used for commercial and/or rental purposes; and (3) does not cover any losses, injuries to persons/property or costs. This warranty does give you specific legal rights and you may have other rights, which vary from state to state. Be careful, tools are dangerous if improperly used or maintained. Seller's employees are not qualified to advise you on the use of this Merchandise. Any oral representation(s) made will not be binding on seller or its employees. The rights under this limited warranty are to the original purchaser of the Merchandise and may not be transferred to any subsequent owner. This limited warranty is in lieu of all warranties, expressed or implied including warranties or merchantability and fitness for a particular purpose. Seller shall not be liable for any special, incidental, or consequential damages. The sole exclusive remedy against the seller will be for the replacement of any defects as provided herein, as long as the seller is willing or able to replace this product or is willing to refund the purchase price as provided above. For insurance purposes, seller is not allowed to demonstrate any of these power tools for you.

For questions / comments, technical assistance or repair parts –
Please call toll free at: 1-866-349-8665 (M-F 8am – 6pm)

SAVE YOUR RECEIPTS. THIS WARRANTY IS VOID WITHOUT THEM.

Distributed by: Menard, Inc., Eau Claire, WI 54703