

# Radley®

12 Amp  
**Lawn Mower**  
 120 V  
 60 Hz



3 Year limited warranty  
 Owner's Manual



READ ALL INSTRUCTIONS BEFORE FIRST USE.  
 KEEP THIS MANUAL FOR FUTURE REFERENCE.  
 KEEP AWAY FROM CHILDREN.

## PRODUCT SPECIFICATIONS

<b>14" ELECTRIC LAWN MOWER</b>	
Voltage	120 V~ 60 Hz
No load	3300 RPM
Ampere	12 A
Clearing width	13" (34mm)
Bag Capacity	35L (9 gallons)
Weight	20 Lbs (9.5 kg)

### Need Assistance?

Call us on our toll free customer support line:

1-866-349-8665 (Monday through Friday 9am – 5pm Eastern Time)

- Technical questions
- Replacement parts
- Parts missing from package

**TABLE OF CONTENTS**

Product specifications .....	1
Table of contents .....	2
General safety warnings .....	3
Electrical safety .....	3-4
Lawn mower safety .....	4-6
Extension cord safety .....	7-8
Symbols .....	9-10
Know your electric lawn mower .....	11
Assembly .....	12-13
Operation .....	14-16
Maintenance .....	17-19
Exploded view .....	20
Parts list .....	21-24
Warranty .....	25

## GENERAL SAFETY WARNINGS

### IMPORTANT SAFETY INSTRUCTIONS

Read and understand all safety and operational instructions. Failure to follow the safety rules listed below and other basic safety precautions may result in serious personal injury. Keep this manual, sales receipts and applicable warranty forms for future reference.

**⚠ WARNING:** Before using this tool or any of its accessories, read this manual and follow all safety rules and operating instructions. The important precautions, safeguards and instructions appearing in this manual are not meant to cover all possible situations. It must be understood that common sense and caution are factors which cannot be built into the product.

### EYE, EAR & LUNG PROTECTION



**ALWAYS WEAR EYE PROTECTION THAT CONFORMS WITH CSA REQUIREMENTS OR ANSI SAFETY STANDARD Z87.1**

FLYING DEBRIS can cause permanent eye damage. Prescription eyeglasses are not a replacement for proper eye protection.

**⚠ WARNING:** Noncompliant eyewear can cause serious injury if broken during the operation of a garden tool.

**⚠ WARNING:** Use hearing protection, particularly during extended periods of operation of the tool, or if the operation is noisy.



**WEAR A DUST MASK THAT IS DESIGNED TO BE USED WHEN OPERATING A GARDEN TOOL IN A DUSTY ENVIRONMENT.**

**⚠ WARNING:** Dust that is created by power sanding, sawing, grinding, drilling, and other construction activities may contain chemicals that are known to cause cancer, birth defects, or other genetic abnormalities. These chemicals include: Lead from lead-based paints.

Crystalline silica from bricks, cement, and other masonry products. Arsenic and chromium from chemically treated lumber.

The level of risk from exposure to these chemicals varies, according to how often this type of work is performed. In order to reduce exposure to these chemicals, work in a well-ventilated area, and use approved safety equipment, such as a dust mask that is specifically designed to filter out microscopic particles.

### ELECTRICAL SAFETY



**WARNING:** To avoid electrical hazards, fire hazards or damage to the tool, use proper circuit protection.

**SAVE THESE INSTRUCTIONS FOR REFERENCE**

This tool is wired at the factory for 120V AC operation. It must be connected to a 120V AC, 15 AMP circuit that is protected by a time-delayed fuse or circuit breaker. To avoid shock or fire, replace power cord immediately if it is worn, cut or damaged in any way.

**⚠ WARNING:** Read all safety warnings and instructions. Failure to follow the warnings and instructions may result in electric shock, fire and/or serious injury.

**Save all warnings and instructions for future reference.**

## LAWN MOWER SAFETY

### SAFETY WARNINGS

1. This product is not intended for use by persons (including children) with reduced physical, sensory or mental capabilities, or lack of experience and knowledge, unless they have been given supervision or instruction concerning use of the product by a person responsible for their safety.
2. Children should be supervised to ensure that they do not play with the product. Cleaning and user maintenance shall not be made by children without supervision.

### SAFETY WARNINGS FOR ELECTRIC LAWN MOWER OPERATION

1. Read the instructions carefully. Be familiar with the operation and the proper use of the product.
2. Never allow children or people unfamiliar with these instructions to use the product. Local regulations can restrict the age of the operator.
3. Never mow while people, especially children, or pets are nearby.
4. Keep in mind that the operator or user is responsible for accidents or hazards occurring to other people or their property.

### PREPARATION

1. While mowing, always wear substantial footwear and long trousers. Do not operate the product when barefoot or wearing open sandals. Avoid wearing clothing that is loose fitting or that has hanging cords or ties.
2. Thoroughly inspect the area where the product is to be used and remove all objects which can be thrown by the product.
3. Before using, always visually inspect to see that the blade, blade bolts and blade assembly are not worn or damaged. Replace worn or damaged blades and bolts in sets to preserve balance. Replace damaged or unreadable labels.

**READ ALL INSTRUCTIONS BEFORE USING THIS ELECTRIC LAWN MOWER**

## **OPERATION**

1. Operate the product in daylight or in good artificial light.
2. When using the electric lawn mower, you must respect local laws and regulations regarding noise control and environmental protection. To avoid noise disturbance, you should carefully decide upon an appropriate operation time and consider the surrounding conditions.
3. Avoid operating the product in wet grass, where feasible.
4. Always be sure of your footing on slopes.
5. Walk, never run.
6. Mow across the face of slopes, never up and down.
7. Exercise extreme caution when changing direction on slopes.
8. Do not mow excessively steep slopes.
9. Use extreme caution when reversing or pulling the product towards you.
10. Stop the cutting device(s) if the product has to be tilted for transportation when crossing surfaces other than grass, and when transporting the product to and from the area to be mowed.
11. Never operate the product with defective guards, or without safety devices, for example deflectors and/or grass catchers, in place.
12. Start the product or switch on the product carefully according to instructions and with feet well away from the blade(s).
13. Do not tilt the product when switching on the motor, except if the product has to be tilted for starting. In this case, do not tilt it more than absolutely necessary and lift only the part, which is away from the operator.
14. Do not start the product when standing in front of the discharge chute.
15. Do not put hands or feet near or under rotating parts. Keep clear of the discharge opening at all times.
16. Stop the machine, and remove the disabling device. Make sure that all moving parts have come to a complete stop:
  - Whenever you leave the product.
  - Before clearing blockages or unclogging chute.
  - Before checking, cleaning or working on the product.
  - After striking a foreign object. Inspect the machine for damage and make repairs before restarting and operating the product; if the product starts to vibrate abnormally (check immediately).
  - Inspect for damage.
  - Replace or repair any damaged parts.
  - Check for and tighten any loose parts.

**SAVE THESE INSTRUCTIONS FOR REFERENCE**

**MAINTENANCE AND STORAGE**

1. Keep all nuts, bolts and screws tight to be sure the product is in safe working condition.
2. Check the grass catcher frequently for wear or deterioration.
3. Be careful during adjustment of the product to prevent entrapment of the fingers between moving blades and fixed parts of the product.
4. Allow the product to cool before storing in any enclosure.
5. When servicing the blades be aware that, even though the power source is switched off, the blades can still be moved.
6. Replace worn or damaged parts for safety. Use only genuine replacement parts and accessories.
7. Wear strong work gloves when removing and reassembling the cutting device.

**READ ALL INSTRUCTIONS BEFORE USING THIS ELECTRIC LAWN MOWER**

## EXTENSION CORD SAFETY

**⚠ WARNING:** Keep the extension cord clear of the working area. Position the cord so it will not get caught on the workpiece, tools or any other obstructions while you are working with the power tool.

Make sure any extension cord used with this tool is in good condition. When using an extension cord, be sure to use one of heavy enough gauge to carry the current the tool will draw. An undersized cord will cause a drop in line voltage resulting in loss of power and overheating.

The table below shows the correct size to use according to cord length and nameplate ampere rating. If in doubt, use the next heavier gauge. The smaller the gauge number the heavier the cord.

Be sure your extension cord is properly wired and in good condition. Always replace a damaged extension cord or have it repaired by a qualified electrician before using it. Protect your extension cord from sharp objects, excessive heat and damp or wet areas.

Use a separate electrical circuit for your power tools. This circuit must not be less than 14 gauge wire and should be protected with either a 15 AMP time delayed fuse or circuit breaker. Before connecting the power tool to the power source, make sure the switch is in the OFF position and the power source is the same as indicated on the nameplate. Running at lower voltage will damage the motor.

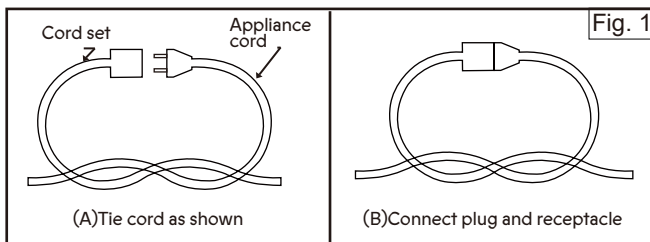
MINIMUM GAUGE (AWG)		EXTENSION CORDS (120V use only)			
Outdoor Rated		Total length			
More than	Not more than	25' /7.5 m	50' /15 m	100' /30 m	150' /45 m
0	6	18	16	16	14
6	10	18	16	14	12
10	12	16	16	14	12
12	16	14	12	Not Applicable	

To reduce the risk of disconnection of lawn mower from the extension cord during operating: Make a knot as shown in Fig. 1;

**Use one of the plug-receptacle retaining straps or connectors** described in this guide.

**SAVE THESE INSTRUCTIONS FOR REFERENCE**





**Avoid unintentional starting** – Turn off the power switch and disconnect the power cord before making any adjustments to the unit and before inspecting, servicing, changing accessories or cleaning the snow thrower.

**Handle cord carefully** – Never pull electric lawn mower by cord or yank it to disconnect from power source. Keep cord away from heat, oil, and sharp edges.

**Don't force electric lawn mower** – It will do the job better and with less likelihood of a risk of injury at the rate for which it was designed.

**Don't Overreach** – Keep proper footing and balance at all times.

**Stay Alert** – Watch what you are doing. Use common sense. Do not operate tool when you are tired or under the influence of alcohol, drugs or medications that cause drowsiness.

**Disconnect electric lawn mower** – Disconnect the electric lawn mower from the power supply when not in use, before servicing, when changing accessories.






**Keep guards in place and in working order.**




**Keep hands and feet away from mowing area.**





**READ ALL INSTRUCTIONS BEFORE USING THIS ELECTRIC LAWN MOWER**

## SYMBOLS

	Warning! Danger.
	Read the operator's manual.
	WARNING! Beware of electric shocks.
	Wear hearing protection.
	Wear CSA Approved Eye Protection.
	Wear a face mask.
	Wear protective helmet and eye protection.
	Wear protective gloves.
	Wear protective footwear.
	Switch the product off and remove the battery pack to disconnect from the power supply before assembly, cleaning, adjustments, maintenance, storage and transportation.
	Do not expose the product to rain or wet conditions.
	Mow across the face of slopes, never up and down.

	Inspect the area where the product is to be used and remove all objects which can be thrown by the product. If objects are hidden while operating stop the product and remove the object.
	Keep hands and feet away from sharp rotating parts – danger of injury! When cleaning, repairing, or inspecting, make certain the cutting device and all mowing parts have stopped.
	Cutting device continues to rotate after the product is switched off. Wait until all machine components have completely stopped before touching the product.
 	Objects thrown by the product could hit the user or other bystanders. Always ensure that other people and pets remain at a safe distance from the product when it is in operation. In general, children must not come near the area where the product is.

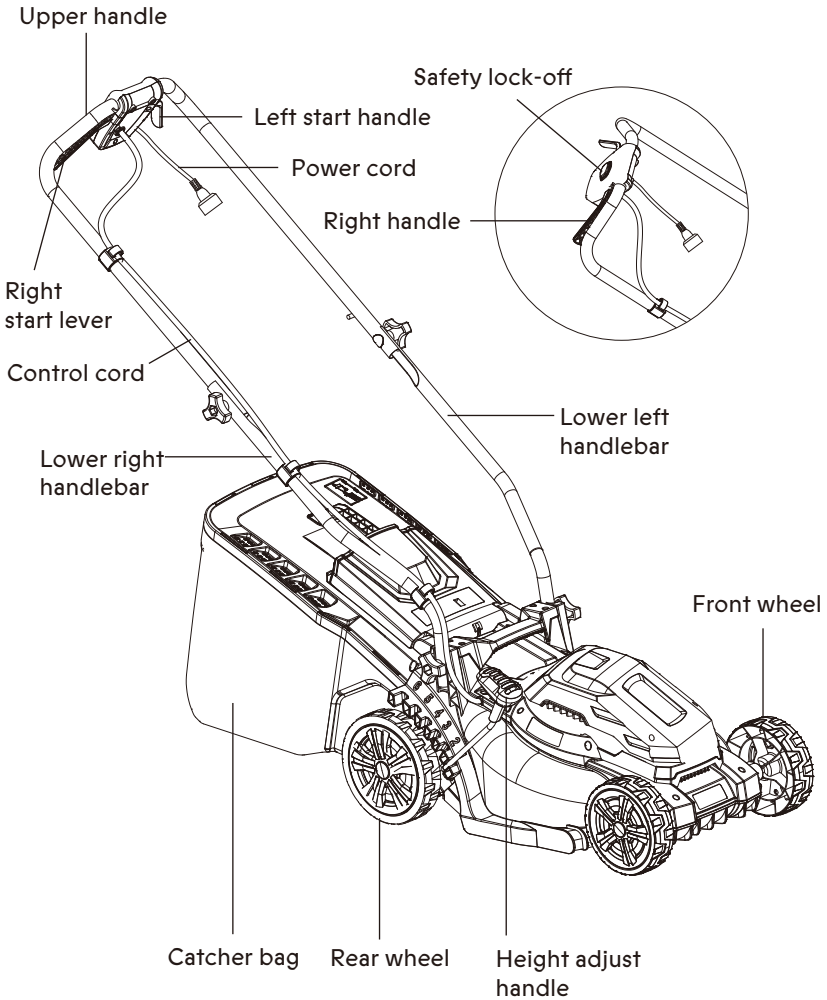
	<p>Beware of sharp blades. Blades continue to rotate after the motor is switched off - Remove disabling device before maintenance.</p>
	<p>GO – grass catcher ready for grass collection STOP - grass catcher full, empty it.</p>
	<p>The product complies with the applicable Canadian and U.S. directives and an evaluation method of conformity for these directives was done.</p>

	<p>Protection class II (Double insulation).</p>
	<p>Guaranteed sound power level value in dB.</p>
	<p>Before any work on the machine itself, pull the power plug from the outlet.</p>
	<p>Remove plug from the power source immediately if the power cord is damaged or cut.</p>



This symbol designates that this tool is listed with Canadian and U.S. requirements by cSGSus Testing Laboratories, Inc. UL1447, CSA C22.2 No.147

**KNOW YOUR ELECTRIC LAWN MOWER**



## ASSEMBLY

### UNPACKING

1. Unpack all parts and lay them on a flat, stable surface.
2. Remove all packing materials if applicable.
3. Make sure the delivery contents are complete and free of any damage. If you find that parts are missing or show damage do not use the product but contact your dealer. Using an incomplete or damaged product represents a hazard to people and property.
4. Ensure that you have all the accessories and tools needed for assembly and operation. This also includes suitable personal protective equipment.



**WARNING:** The product must be fully assembled before operation! Do not use a product that is only partly assembled or assembled with damaged parts!



Follow the assembly instructions step-by-step and use the pictures provided as a visual guide to easily assemble the product!

Do not connect the product to power supply before it is completely assembled!

**NOTE:** Take care of small parts that are removed during assembly or when making adjustments. Keep them secure to avoid loss.

### LOWER HANDLEBARS

1. Align the mounting hole of the lower handlebar with the fixing bolt of handle support (Fig.1)
2. Attach the washer to the bolt and secure the lower handlebar by turning the knob (1) clockwise for tightening.
3. Make sure that the control cord runs on the upper side of the lower handlebar (right) .

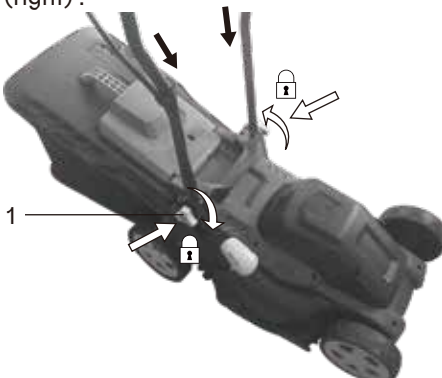


FIG.1

## UPPER HANDLEBARS

1. Align the upper handlebar to the lower handlebar and ensure the switch box is pointed downward when viewed from behind.
2. Pass the bolts through the mounting holes of handles (Fig. 2).
3. Attach the washer to the bolt and secure the upper handlebar by turning the knob clockwise for tightening (Fig.2).
4. Secure the control cord with two wire clips (Fig. 3).

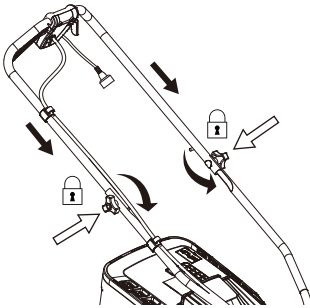


FIG.2

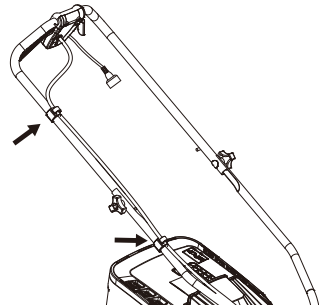


FIG.3

## GRASS CATCHER

1. Align and insert the carry handle to the slots of top frame of grass catcher until both ends "click" into place (Fig. 4). then use screw to fix handle both sides.
2. The grass catcher is ready for use.



**WARNING:** Do not attempt to use the product without the grass catcher attached - danger of flying objects! The motor must be switched off and the blade must have stopped rotating before you remove the grass catcher. The grass catcher must be fully assembled with the top part, bottom part and collection tongue all in position before first use.



3. Open the deflector guard, hold it in position ; Insert the grass catcher (Fig.5).
4. Align and hook the grass catcher into the attachment slots of rear discharge chute.

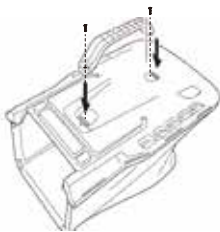


FIG.4



FIG.5

## OPERATION

### CUTTING HEIGHT ADJUSTMENT



**WARNING:** Switch the product off and wait until the blade has come to a complete stop before adjusting the cutting height!

Adjust the cutting height according to the needs of your lawn. The cutting height depends on the kind of lawn and its actual height. When mowing high grass, start with the maximum cutting height and make a second cut with a lower cutting height.

1. Press the lever towards the rear wheel (Fig. 6).
2. Move forward or backward to adjust the cutting height
3. Release the lever and ensure it is engaged in the slot after each adjustment.



**WARNING:** Ensure that the lever engages in the slot after each adjustment.

**NOTE:** There are 6 cutting height levels available. The adjustable heights are 1<sup>1</sup>/<sub>8</sub>" /30mm to 3<sup>1</sup>/<sub>8</sub>" /80mm.



FIG.6



FIG.7

### GRASS CATCHER



**WARNING:** Do not attempt to use the product without the grass catcher attached when collecting grass – danger of flying objects!



Switch the motor off and wait until the blade has come to a complete stop before removing the grass catcher!

Attach the grass catcher. Always carry the grass catcher by its carry handle.

### INDICATOR

The grass catcher is equipped with a full bag indicator that indicates the filling progress during operation.

1. When the hatch is open the grass catcher has sufficient volume left to collect grass (Fig. 7).
2. When the hatch is closed, the grass catcher is full and must be emptied (Fig. 7).

## EMPTYING THE GRASS CATCHER

Empty the grass catcher frequently during use. Do not wait until it is completely full. We recommend emptying it when it is half full.

**NOTE:** A full grass catcher will reduce the performance of this product.

1. Release the start lever ensuring that the motor has stopped and the blade has stopped rotating.
2. Lift the deflector guard and lift the grass catcher off the hooks.
3. Remove the grass clippings from the rear discharge chute into the grass catcher. Use a proper tool such as a brush.
4. Remove the grass catcher by its carry handle .
5. Empty the grass clippings onto a compost heap.
6. Re-fit the grass catcher to the product.



**WARNING:** Never use your hands or feet to remove grass clippings from the rear discharge chute !

## GENERAL OPERATION

1. Check the product, as well as accessories for damage before each use. Do not use the product if it is damaged or shows wear.
2. Double check that accessories and blade are properly fixed.
3. Always push the product by its handle. Keep the handle dry and free from lubricant to ensure safe support.
4. Switch the product off immediately if you are disturbed while working by other people entering the working area. Always let the product come to complete stop before leaving it unattended.
5. Do not overwork yourself. Take regular breaks to ensure you can concentrate on the work and have full control over the product.



**WARNING:** In some countries regulations define at what time of the day and on what special days products are allowed to be used and what restrictions apply! Ask your community for detailed information and observe the regulations in order to preserve a peaceful neighbourhood and avoid committing administrative offences!

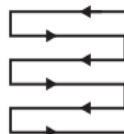


**STARTING/STOPPING**

1. Plug in power
2. Stand behind the grip handle .
3. While holding the safety lock-off switch pressed, pull the start lever towards the handle.
4. After the mower starts, release the safety lock-off switch.
5. Release the start lever to stop the mower.

**MOWING**

1. Make sure that the lawn is clear of stones, sticks, wire or other objects that could damage the product or its product.
2. Do not cut wet grass because it tends to stick to the underbody of the mower, preventing the proper discharge of grass clippings, and it could also cause you to slip and fall.
3. Never cut off more than one-third of the total length of the grass for a healthy lawn. In the autumn, lawns should only be cut as long as there is growth.
4. Slowly push the product forward.
5. Mow in slight overlapping rows. The most effective pattern for mowing lawns is straight lines along one of the sides. This will keep the rows even and ensures that all the lawn is cut without missing any spots.
6. Circle around flower beds. When reaching a flower bed in the middle of the lawn, cut a row or two around the circumference of the bed.
7. Pay special attention when changing direction.
8. Empty the grass catcher regularly.



**WARNING:** If the mower strikes a foreign object stop immediately! Let the product cool down and thoroughly inspect the mower for damage! Have any damage repaired before restarting!

**AFTER USE**

1. Switch the product off.
2. Check, clean and store the product as described below.

## MAINTENANCE



**WARNING:** Always switch the product and let the product cool down before performing inspection, maintenance and cleaning work!

1. Keep the product clean. Remove debris after each use and before storage.
2. Regular and proper cleaning will help ensure safe use and prolong the life of the product.
3. Inspect the mower before each use for worn and damaged parts. Do not operate it if you find broken and worn parts.



**WARNING:** Only perform repairs and maintenance work according to these instructions! All further works must be performed by a qualified specialist!

## GENERAL CLEANING

1. Clean the mower with a dry cloth. Use a brush for areas that are hard to reach.
2. Remove stubborn dust with high pressure air (43 PSI).

**NOTE:** Only perform repairs and maintenance work according to these instructions! All further works must be performed by a qualified specialist!

3. Check for any damage and wear. Repair damages in accordance with this instruction manual or take it to an authorised service centre before using the product again.



**WARNING:** Wear safety gloves when working on the blade and close to it! Use proper tools to remove debris, e. g. a wooden stick! Never use your bare hands!



Always use original spare parts for replacement. Do not attach any other type of blade! The replacement of the blade should be done by a qualified specialist!

1. Keep the underbody and blade clean and free of debris. Remove clippings from the rear discharge chute .
2. Check all fasteners, such as nuts and bolts, periodically for tightness before operation. After prolonged use, especially in sandy soil conditions, the blade will become worn and lose some of the original shape. The cutting efficiency will be reduced and the blade should be replaced.

3. Keep the blade sharp to ensure a good cutting performance. Replace a worn or damaged blade with a new one of the same type or have it sharpened by a qualified specialist.
4. Loosen the hex bolt counterclockwise using the supplied hex wrench and remove it together with the washer and the blade (Fig. 8).
5. Replace the blade with a new one of the same type. Check the status of the flange onto the blade holder, then attach the blade properly, and fix it with the washer and the hex bolt. Tighten the hex bolt clockwise with 33-44 ft/lbs to ensure safe operation of your product.



**DANGER:** If the blade is not torqued properly, it could become loose and be thrown from the product and seriously hurt or kill the operator or bystanders.

**Note:** Replace blade after 50 hours mowing or 2 years whichever is sooner regardless of condition. If the blade is cracked or damaged, you must immediately replace it with a new one.

6. Lubricate the blade after each use to prolong the life span of blade and mower. Apply light machine oil along the edge of the blade.

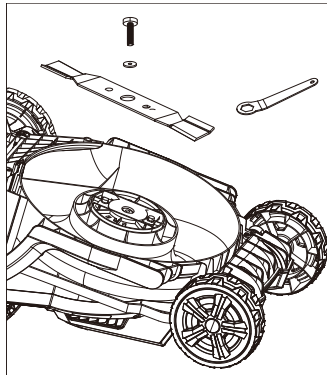


FIG.8

### GRASS CATCHER

1. Inspect the grass catcher before each use. Do not use it if you find any damage.
2. Clean the grass catcher after operation using water and mild soap.
3. Let the grass catcher dry thoroughly before storing to avoid mildew.

## **CONTROL CORD**

Check the control cord before each use.



**WARNING:** Do not use the product with a defective or a loose control cord.

## **STORAGE**

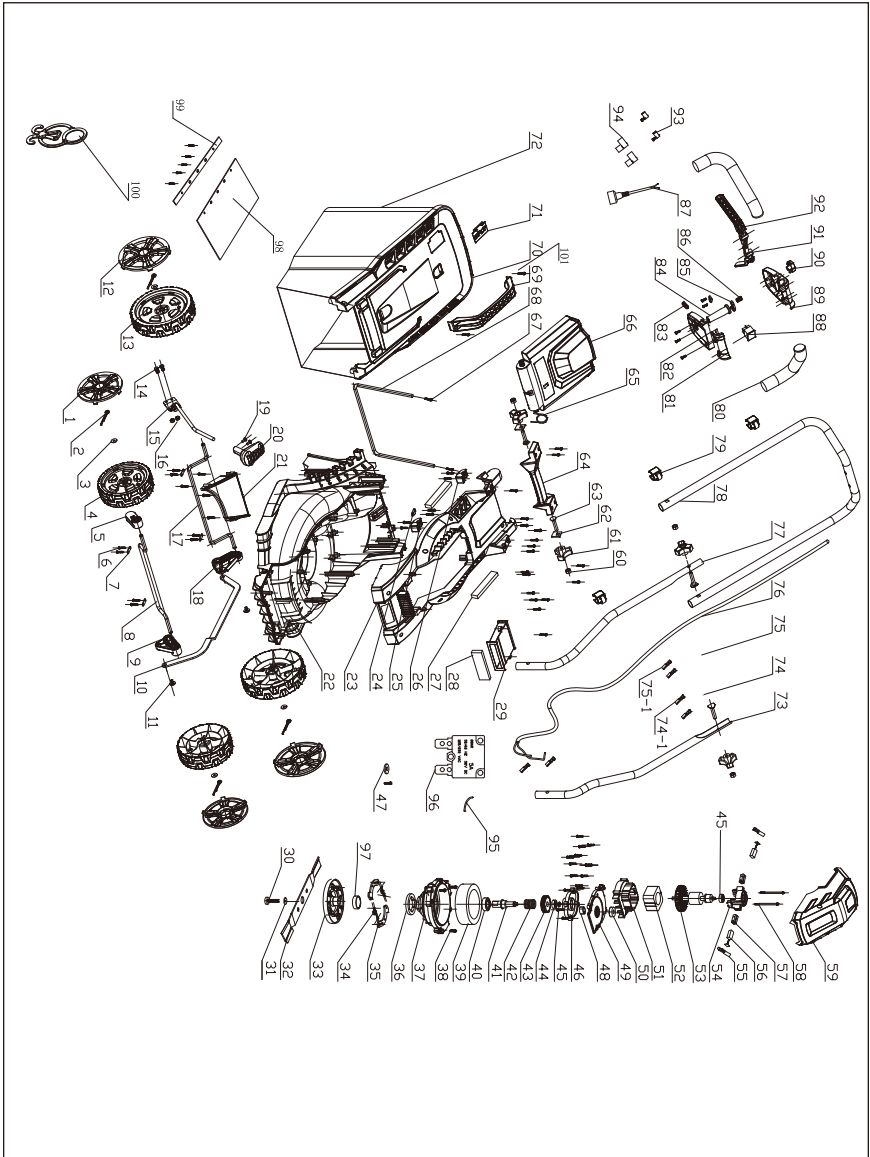
1. Turn off the power and unplug the power cord.
2. Clean the product as described above.
3. Store the product and its accessories in a dry, frost-free place.
4. Always store the product in a place that is inaccessible to children. The ideal storage temperature is between 50°F/ 10°C& 86°F/30°C.

We recommend using the original package for storage or covering the product with a suitable cloth or enclosure to protect it against dust.

## **TRANSPORTATION**

1. Switch the product off, and remove the power plug before transporting it anywhere.
2. Always transport the product by its transport handle .
3. Protect the product from any heavy impact or strong vibrations which may occur during transportation in vehicles.
4. Secure the product to prevent it from slipping or falling over, damage and injury.

## EXPLODED VIEW



## PARTS LIST

**⚠ WARNING:** When servicing, use only original equipment replacement parts. The use of any other parts may create a safety hazard or cause damage to the electric lawn mower.

Any attempt to repair or replace electrical parts on this electric lawn mower may create a safety hazard unless repairs are performed by a qualified technician. For more information, call the Toll-free Helpline, at 1-866-349-8665 – Monday to Friday from 9am to 5pm Eastern Standard Time.

Always order by key number.

Key #	Part #	Part Name	Quantity
1	3122530101069001	Front wheel cover	2
2	3322530101138001	Cotter pin	4
3	3322530201030001	Washer	4
4	3122530101031001	Front wheel	2
5	3122530101023001	Axle sleeve 1	1
6	33SBAQA004160101	Screw	28
7	3251100201053001	Axle clamping plate	4
8	3222530101020001	Front axle	1
9	3122530201023001	Axle sleeve 2	1
10	3222530401057001	Height adjustment rod	1
11	33SJAQA004160101	Screw	2
12	3122530201069001	Rear wheel cover	2
13	3122530201031001	Rear wheel	2
14	33SFCQC006120101	Hexagon bolt	2
15	3219510101057001	Heighten handle	1
16	33NDD0060101	Locknut	2
17	3222530201020001	Rear axle shaft	1
18	3122530401023001	Axle sleeve 4	1
19	33SJAQC005080101	Screw	2
20	3155000101094001	Height adjustment handles	1
21	3122530201053001	Air deflector	1
22	3122530101139001	Chassis	1
23	3122530301069001	Upper cover	1
24	3181000101053001	Clamping plate	2
25	3122530101072001	Left clamping block	1
26	3122530201072001	Right clamping block	1
27	3122530101131001	Air intake filter	2
28	3122530201131001	Air outlet filter	1
29	3122530101076001	Exhaust tube	1

Key #	Part #	Part Name	Quantity
30	33SNDDC008350101	Bolt	1
31	3352200301030001	Washer	1
32	3222530201132001	Blade	1
33	3152300101139001	Blade retaining hub	1
34	3222530101060001	Tension spring	2
35	3252300101030001	Brake block	2
36	3252300101030001	Friction plate	1
37	3122530101049001	Gearbox base	1
38	33SBAQA005200101	Screw	3
39	3152300201131001	Vibration dampener	1
40	33DB600302011	Bearing	1
41	3222530301020001	Output shaft	1
42	3252100201060001	Torsional spring	1
43	3252300101031001	Gearwheel	1
44	33DB608001011	Bearing	2
45	33CC0120101	Clamp spring	1
46	3122530101053001	Gear box cover plate	1
47	3392000101030001	Flat washer	2
48	3152300101026001	Wool felt	1
49	3152100101039001	Motor support	1
50	33DB600002011	Bearing	1
51	3152100101053001	Air deflector	1
52	3452100201005001	Stator	1
53	3452100201013001	Rotor	1
54	3198000101036001	Carbon brush holder	1
55	36010108	Insert terminal	2
56	3498000101035001	Carbon brush	2
57	3298000101023001	Carbon brush cover	2
58	33SFAQA402620101	Screw	2
59	3152100101069001	Head cover	1
60	33NAD0080101	Hexagon nut	4
61	3155000101058001	Knob	4
62	3222530401053001	Dead plate	2
63	3250000201074001	Bolt	4
64	3122530101094001	Handle	1
65	3222530401060001	Torsional spring	1
66	3122530401069001	Rear cover	1
67	33SBAQD004150101	M4*12 combination	2
68	3222530101039001	Grass box frame	1
69	3122530201094001	Catcher handle	1
70	3122530501069001	Catcher cover	1
71	3122530701069001	Louver cover	1

Key #	Part #	Part Name	Quantity
72	3522530101045001	Catcher bag	1
73	3222530201057001	Down left push rod	1
74	36040101	Double hole male terminal sleeve	1
74-1	36010108	Female terminal	2
75	36040102	Double hole bushing	1
75-1	36010109	Male terminal	2
76	3452100201027001	Cord	1
77	3222530301057001	Down push rod	1
78	3252100101057001	Upper push rod	1
79	3122530101103001	Wire buckle	1
80	3122530501023001	Sponge cover	2
81	3155000501069001	Switch box cover	1
82	3155000601069001	Switch box down cover	1
83	3255000301060001	Spring	1
84	3150000401023001	Cable sheath	1
85	3155000301072001	Block	1
86	3255000301060001	Spring	1
87	3452100201029001	Power cord	1
88	3422520101032001	Switch	1
89	3155000701069001	Switch box upper cover	1
90	3155000201058004	Shift knob	1
91	3155000201094001	Left handle	1
92	3155000301094001	Right handle	1
93	36010107	4.8 flag terminal	4
94	36040105	Insulator sleeve	4
95	3452200201027001	Connecting line	1
96	3118920101049001	Circuit breaker	1
97	3222530101025001	Fastening ring	1
98	3222530501153001	Grass baffle plate	1
99	3222530101150001	Straw baling	1
100	3150000101103001	Hang line machine	1
101	33SBAQA004160101	Screw	2



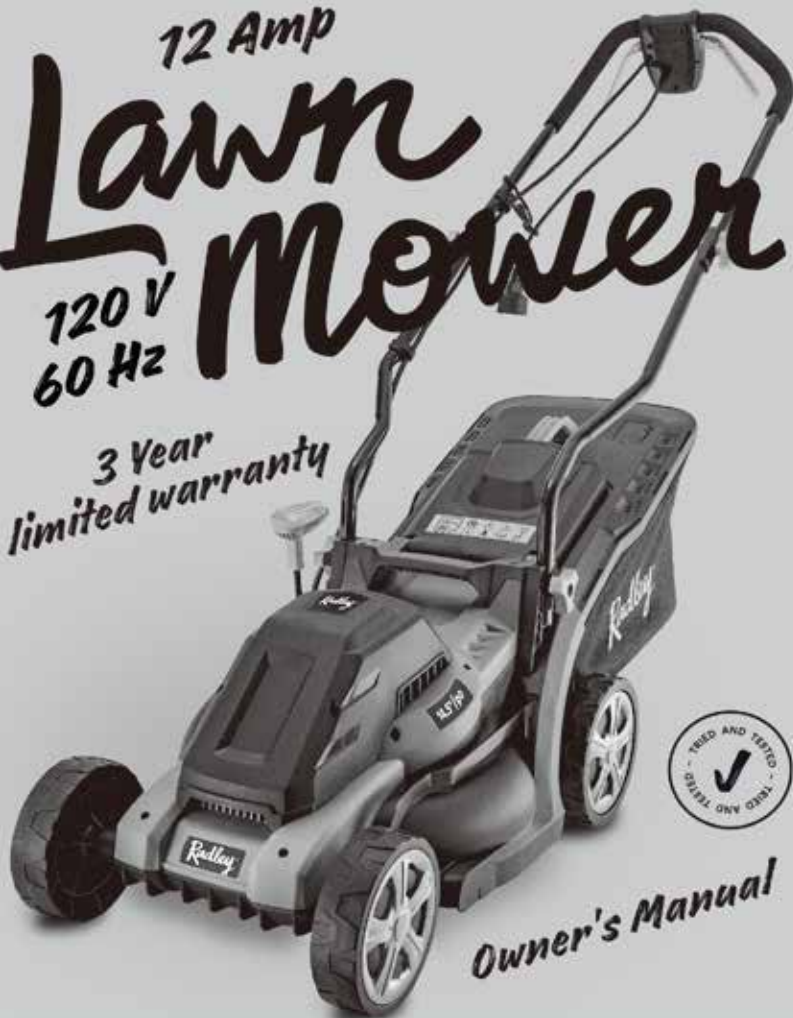
## **WARRANTY**

### **RADLEY ELECTRIC LAWN MOWER WARRANTY**

If this Radley tool fails due to a defect in material or workmanship within three years from the date of purchase, return it to any Home Hardware store with the original bill of sale for exchange. Two years for battery and charger. This warranty does not include expendable parts including but not limited to blades, brushes, belts and light bulbs. This warranty covers defects in material or workmanship only. It does not cover normal wear and tear, failure due to abuse/misuse, or defects caused by careless or accidental mishandling. If this Radley product is used for commercial or rental purposes, this warranty does not apply. For use at the consumer level. The warranty is not for industrial or commercial applications.

12 Amp  
**Lawn Mower**  
120 V  
60 Hz

3 Year  
limited warranty



Owner's Manual

**Radley**

EXCLUSIVE TO HOME HARDWARE

For information on the entire line up of Radley power tools visit [homehardware.ca](http://homehardware.ca) or your local Home Hardware retail store.

MADE IN CHINA / FABRIQUÉ EN CHINE  
HOME HARDWARE STORES LIMITED  
ST. JACOBS, ONTARIO N0B 2N0  
ORDER ONLINE / COMMANDE EN LIGNE  
[homehardware.ca](http://homehardware.ca)

© 12 / 2020 Home Hardware Stores Limited



5125-019