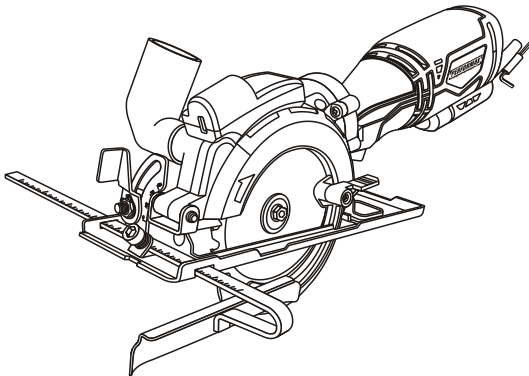




5.8A COMPACT CIRCULAR SAW

241-0943

Owner's Manual



PRODUCT SPECIFICATIONS	
Rating:	120 V, 60 Hz, AC
Motor Amperage:	5.8 Amps
Speed:	3,500 RPM (no load)
Blade diameter:	4 1/2" (114.3 mm)
Arbor:	3/8" (9.5 mm)
Depth of cut @ 90°:	1-11/16" (42.9 mm)
Depth of cut @ 45°:	1-1/8" (28.6 mm)
Need Assistance? Call us on our toll free customer support line: 1-866-349-8665 <ul style="list-style-type: none">• Technical questions• Replacement parts• Parts missing from package	

TABLE OF CONTENTS

Product specifications	1
Table of contents	2
General safety warnings	3-4
Eye, ear & lung protection	3-4
Electrical safety	4
Power tool safety	5-6
General warning	5
Work area	5
Electrical safety	5
Personal safety	5
Power tools use and care	6
Service	6
Specific safety rules	7-9
Causes and operator prevention of kickback	7-8
Additional specific safety rules	8-9
Extension cord safety	10
Symbols	11
Know your circular saw	12
Assembly and operating	13-18
Removing and installing a blade	13
Setting the cutting depth	13
Setting the bevel cutting angle	14
Setting the "zero" bevel angle for accurate 90° cutting	14
Installing the edge guide	14-15
Installing the vacuum adaptor	15
Lock-off button and trigger switch	15-16
Laser ON/OFF switch	16
Materials you can cut	16
General cutting	16-17
Plunge cutting	17
Cutting using the edge guide	17
Changing the laser batteries	18
General maintenance	19
Lubrication	19
Exploded view	20
Parts list	21-23
Warranty	24

GENERAL SAFETY WARNINGS

⚠ WARNING: Before using this tool or any of its accessories, read this manual and follow all Safety Rules and Operating Instructions. The important precautions, safeguards and instructions appearing in this manual are not meant to cover all possible situations. It must be understood that common sense and caution are factors which cannot be built into the product.

This instruction manual includes the following:

- General Safety Rules
- Specific Safety Rules and Symbols
- Functional Description
- Assembly
- Operation
- Maintenance
- Accessories

EYE, EAR & LUNG PROTECTION



ALWAYS WEAR EYE PROTECTION THAT CONFORMS WITH CSA REQUIREMENTS or ANSI SAFETY STANDARD Z87.1

FLYING DEBRIS can cause permanent eye damage. Prescription eyeglasses ARE NOT a replacement for proper eye protection.



WARNING: Non-compliant eyewear can cause serious injury if broken during the operation of a power tool.



WARNING: Use hearing protection, particularly during extended periods of operation of the tool, or if the operation is noisy.

GENERAL SAFETY WARNINGS



WEAR A DUST MASK THAT IS DESIGNED TO BE USED WHEN OPERATING A POWER TOOL IN A DUSTY ENVIRONMENT.



WARNING: Dust that is created by power sanding, sawing, grinding, drilling, and other construction activities may contain chemicals that are known to cause cancer, birth defects, or other genetic abnormalities. These chemicals include:

Lead from lead-based paints

Crystalline silica from bricks, cement, and other masonry products

Arsenic and chromium from chemically treated lumber

The level of risk from exposure to these chemicals varies, according to how often this type of work is performed. In order to reduce exposure to these chemicals, work in a well-ventilated area, and use approved safety equipment, such as a dust mask that is specifically designed to filter out microscopic particles.

ELECTRICAL SAFETY



WARNING: To avoid electrical hazards, fire hazards or damage to the tool, use proper circuit protection.

This tool is wired at the factory for 120V AC operation. It must be connected to a 120V AC, 15 AMP circuit that is protected by a time-delayed fuse or circuit breaker. To avoid shock or fire, replace power cord immediately if it is worn, cut or damaged in any way.

POWER TOOL SAFETY

▲ WARNING: Read all safety warnings and instructions. Failure to follow the warnings and instructions may result in electric shock, fire and/or serious injury.

Save all warnings and instructions for future reference.

Work area safety

Keep work area clean and well lit. Cluttered or dark areas invite accidents.

Do not operate power tools in explosive atmospheres, such as in the presence of flammable liquids, gases or dust. Power tools create sparks which may ignite the dust or fumes.

Keep children and bystanders away while operating a power tool. Distractions can cause you to lose control.

Electrical safety

Power tool plugs must match the outlet. Never modify the plug in any way. Do not use any adapter plugs with earthed (grounded) power tools. Unmodified plugs and matching outlets will reduce risk of electric shock.

Avoid body contact with earthed or grounded surfaces such as pipes, radiators, ranges and refrigerators. There is an increased risk of electric shock if your body is earthed or grounded.

Do not expose power tools to rain or wet conditions. Water entering a power tool will increase the risk of electric shock.

Do not abuse the cord. Never use the cord for carrying, pulling or unplugging the power tool. Keep cord away from heat, oil, sharp edges or moving parts. Damaged or entangled cords increase the risk of electric shock.

When operating a power tool outdoors, use an extension cord suitable for outdoor use. Use of a cord suitable for outdoor use reduces the risk of electric shock.

If operating a power tool in a damp location is unavoidable, use a residual current device (RCD) protected supply. Use of a ground fault circuit interrupter (GFCI) reduces the risk of electric shock.

Personal safety

Stay alert, watch what you are doing and use common sense when operating a power tool. Do not use a power tool while you are tired or under the influence of drugs, alcohol or medication. A moment of inattention while operating power tools may result in serious personal injury.

Use personal protective equipment. Always wear eye protection. Protective equipment such as dust mask, non-skid safety shoes, hard hat, or hearing protection used for appropriate conditions will reduce personal injuries.

Prevent unintentional starting. Ensure the switch is in the off-position before connecting to power source and/or battery pack, picking up or carrying the tool. Carrying power tools with your finger on the switch or energizing power tools that have the switch on invites accidents.

Remove any adjusting key or wrench before turning the power tool on. A wrench or a key left attached to a rotating part of the power tool may result in personal injury.

Do not overreach. Keep proper footing and balance at all times. This enables better control of the power tool in unexpected situations.

Dress properly. Do not wear loose clothing or jewelry. Keep your hair, clothing and gloves away from moving parts. Loose clothes, jewelry or long hair can be caught in moving parts.

If devices are provided for the connection of dust extraction and collection facilities, ensure these are connected and properly used. Use of dust collection can reduce dust-related hazards

POWER TOOL SAFETY

Power tool use and care

Do not force the power tool. Use the correct power tool for your application. The correct power tool will do the job better and safer at the rate for which it was designed.

Do not use the power tool if the switch does not turn it on and off. Any power tool that cannot be controlled with the switch is dangerous and must be repaired.

Disconnect the plug from the power source and/or the battery pack from the power tool before making any adjustments, changing accessories, or storing power tools. Such preventive safety measures reduce the risk of starting the power tool accidentally.

Store idle power tools out of the reach of children and do not allow persons unfamiliar with the power tool or these instructions to operate the power tool. Power tools are dangerous in the hands of untrained users.

Maintain power tools. Check for misalignment or binding of moving parts, breakage of parts and any other condition that may affect the power tool's operation. If damaged, have the power tool repaired before use. Many accidents are caused by poorly maintained power tools.

Keep cutting tools sharp and clean. Properly maintained cutting tools with sharp cutting edges are less likely to bind and are easier to control.

Use the power tool, accessories and tool bits etc. in accordance with these instructions, taking into account the working conditions and the work to be performed. Use of the power tool for operations different from those intended could result in a hazardous situation.

Hold power tool by insulated gripping surfaces when performing an operation where the cutting tool may contact hidden wiring or its own cord. Contact with a "live" wire will make exposed metal parts of the tool "live" and shock the operator.

Use clamps or another practical way to secure and support the workpiece to a stable platform. Holding the work by hand or against your body leaves it unstable and may lead to loss of control.

Service

Have your power tool serviced by a qualified repair person using only identical replacement parts. This will ensure that the safety of the power tool is maintained.

SAVE THESE INSTRUCTIONS FOR REFERENCE

SPECIFIC SAFETY RULES

⚠ WARNING: Know your circular saw. Do not plug the tool into the power source until you have read and understand this Instruction Manual. Learn the tool's applications and limitations, as well as the specific potential hazards related to this tool. Following this rule will reduce the risk of electric shock, fire, or serious injury.



Always wear eye protection. Any power tool can throw foreign objects into your eyes and cause permanent eye damage.

ALWAYS wear safety goggles (not glasses) that comply with ANSI safety standard Z87.1. Everyday glasses have only impact resistant lenses. They ARE NOT safety glasses.

⚠ WARNING: Glasses or goggles not in compliance with ANSI Z87.1 could cause serious injury when they break.

Always keep hands out of the path of the saw blade. Avoid awkward hand positions where a sudden slip could cause your hand to move into the path of the saw blade.

⚠ DANGER: Keep hands away from cutting area and the blade. Keep your second hand on the tool. If both hands are holding the saw, they cannot be cut by the blade.

Do not reach underneath the workpiece. The guard cannot protect you from the blade below the workpiece.

Adjust the cutting depth to the thickness of the workpiece. Less than a full tooth of the blade teeth should be visible below the workpiece.

Never hold piece being cut in your hands or across your leg. Secure the workpiece to a stable platform. It is important to support the work properly to minimize body exposure, blade binding, or loss of control.

Hold power tool by insulated gripping surfaces when performing an operation where the cutting tool may contact hidden wiring or its own cord. Contact with a "live" wire will also make exposed metal parts of the power tool "live" and shock the operator.

When ripping always use the rip fence or straight edge guide. This improves the accuracy of cut and reduces the chance of the blade binding.

Always use blades with correct size and shape (diamond versus round) of arbor holes. Blades that do not match the mounting hardware of the saw will run eccentrically, causing loss of control.

Never use damaged or incorrect blade washers or bolt. The blade washers and bolt were specially designed for your saw, for optimum performance and safety of operation.

Never use abrasive blades with this circular saw.

CAUSES AND OPERATOR PREVENTION OF KICKBACK

Kickback is a sudden reaction to a pinched, bound or misaligned saw blade, causing an uncontrolled saw to lift up and out of the workpiece toward the operator;

When the blade is pinched or bound tightly by the kerf closing down, the blade stalls and the motor reaction drives the unit rapidly back toward the operator.

If the blade becomes twisted or misaligned in the cut, the teeth at the back edge of the blade can dig into the top surface of the wood causing the blade to climb out of the kerf and jump back toward the operator.

Kickback is the result of saw misuse and/or incorrect operating procedures or conditions and can be avoided by taking proper precautions as given below:

SPECIFIC SAFETY RULES

CAUSES AND OPERATOR PREVENTION OF KICKBACK – cont'd

Maintain a firm grip on the saw and position your arms to resist kickback forces. Position your body to the left or right side of the blade, but not in line with the blade. Kickback could cause the saw to jump backwards, but kickback forces can be controlled by the operator, if proper precautions are taken.

When the blade is binding, or when interrupting a cut for any reason, release the trigger and hold the saw motionless in the material until the blade comes to a complete stop. Never attempt to remove the saw from the work or pull the saw backward while the blade is in motion or kickback may occur. Investigate and take corrective actions to eliminate the cause of blade binding.

When restarting a saw in the workpiece, center the saw blade in the kerf and check that saw teeth are not engaged into the material. If the saw blades are binding, it may walk up or kickback from the workpiece as the saw is restarted.

Support large panels to minimize the risk of blade pinching and kickback. Large panels tend to sag under their own weight. Supports must be placed under the panel on both sides, near the line of cut and near the edge of the panel.

Do not use dull or damaged blades. Unsharpened or improperly set blades produce narrow kerf causing excessive friction, blade binding and kickback.

Do not use dull or damaged blades. Unsharpened or improperly set blades produce narrow kerf causing excessive friction, blade binding and kickback.

Blade depth and bevel adjusting locking levers must be tight and secure before making cut. If blade adjustment shifts while cutting, it may cause binding and kickback.

Use extra caution when making a "plunge cut" into existing walls or other blind areas. The protruding blade may cut objects that can cause kickback.

ADDITIONAL SPECIFIC SAFETY RULES

Check the lower guard for proper closing before each use. Do not operate the saw if the lower guard does not move freely and close instantly. Never clamp or tie the lower guard into the open position. If the saw is accidentally dropped, the lower guard may be damaged. Raise the lower guard with the retracting handle and make sure it moves freely and does not touch the blade or any other part in all depths of cuts.

Check the operation of the lower guard spring. If the guard and the spring are not operating properly, they must be serviced before use. The lower guard may operate sluggishly due to damaged parts, gummy deposits, or a build-up of debris.

The lower guard should be retracted manually only for special cuts such as "plunge cuts" and "compound cuts". Raise lower guard by retracting handle and as soon as the blade enters the material, the lower guard must be released. For all other sawing, the lower guard should operate automatically.

Always observe that the lower guard is covering the blade before placing saw down on bench or floor. An unprotected, coasting blade will cause the saw to walk backwards, cutting whatever is in its path. Be aware of the time it takes for the blade to stop after the switch is released.

Never operate the saw while it is being carried to another location. The blade guard may be open and potentially cause serious injury.

If the switch fails to turn the saw ON or OFF properly, stop using it immediately and have the saw switch repaired.

Always allow the saw to reach full speed before beginning the cut.

SPECIFIC SAFETY RULES

ADDITIONAL SPECIFIC SAFETY RULES – cont'd

Never use the side of the blade for cutting.

When making horizontal cuts, make sure the weight of the tool is not forcing the side of the blade to do the cutting. This will reduce the risk of kickback.

Make sure there are no nails or foreign objects in the area of the workpiece to be cut.

Never lay workpiece on hard surfaces like concrete, stone, etc. The protruding blade may cause tool to jump.

⚠ DANGER: To avoid injury from accidental starting, always remove the plug from the power source before making any adjustments and before installing or removing a saw blade.

When replacing the blade, make sure the replacement blade is 4½" in diameter and is rated for at least 3,500 RPM. Installing an incorrect blade will result in possible injury and poor cutting action.

After changing a blade or making adjustments, make sure the blade clamp screw is securely tightened. Loose blades and adjustment devices will be violently thrown.

Never touch the blade during or immediately after use. After use the blade is too hot to be safely touched with bare hands.

EXTENSION CORD SAFETY

⚠ WARNING: Keep the extension cord clear of the working area. Position the cord so it will not get caught on the workpiece, tools or any other obstructions while you are working with the power tool.

Make sure any extension cord used with this tool is in good condition. When using an extension cord, be sure to use one of heavy enough gauge to carry the current the tool will draw. An undersized cord will cause a drop in line voltage resulting in loss of power and overheating.

The table at right shows the correct size to use according to cord length and nameplate ampere rating. If in doubt, use the next heavier gauge. The smaller the gauge number the heavier the cord.

Be sure your extension cord is properly wired and in good condition. Always replace a damaged extension cord or have it repaired by a qualified electrician before using it. Protect your extension cord from sharp objects, excessive heat and damp or wet areas.

Use a separate electrical circuit for your power tools. This circuit must not be less than 14 gauge wire and should be protected with either a 15 AMP time delayed fuse or circuit breaker. Before connecting the power tool to the power source, make sure the switch is in the OFF position and the power source is the same as indicated on the nameplate. Running at lower voltage will damage the motor.

⚠ WARNING: Repair or replace damaged or worn extension cords immediately.

Select the appropriate extension cord gauge and length using the chart below.


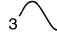

When operating a power tool outdoors, use an outdoor extension cord marked "W-A" or "W". These cords are rated for outdoor use and reduce the risk of electric shock.

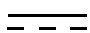
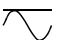









⚠ WARNING: Keep the extension cord clear of the working area. Position the cord so it will not get caught on the workpiece, tools or any other obstructions while you are working with the power tool.

MINIMUM GAUGE (AWG) EXTENSION CORDS (120V use only)					
Amperage rating		Total length			
More than	Not more than	25' (7.5 m)	50' (15 m)	100' (30 m)	150' (45 m)
0	6	18	16	16	14
6	10	18	16	14	12
10	12	16	16	14	12
12	16	14	12	Not Applicable	

SYMBOLS

⚠ WARNING: Some of the following symbols may appear on the circular saw. Study these symbols and learn their meaning. Proper interpretation of these symbols will allow for more efficient and safer operation of this tool.

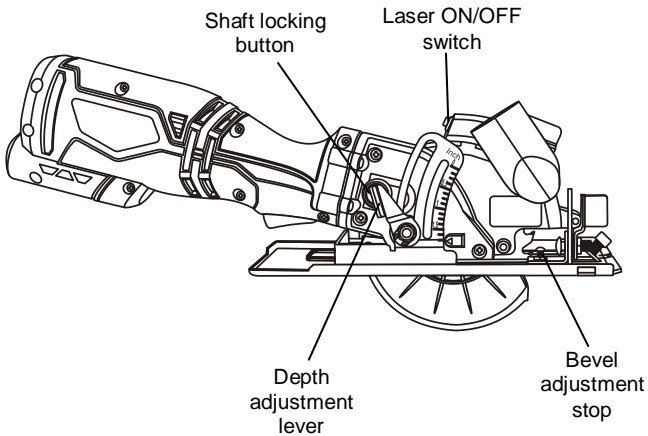
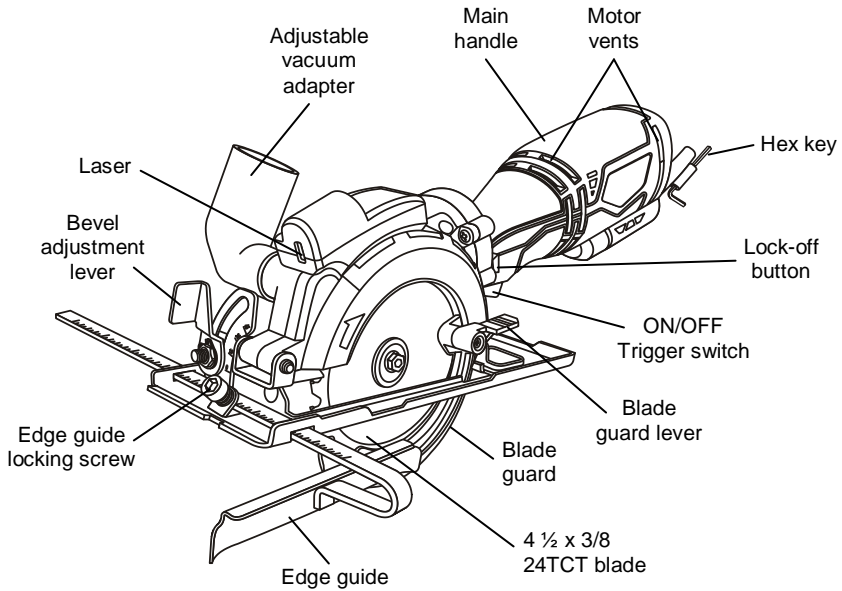
V	Volts
A	Amps
Hz	Hertz
W	Watts
kW	Kilowatts
μF	Microfarads
L	Liters
kg	Kilograms
H	Hours
N/cm ²	Newtons per square centimeter
Pa	Pascals
OPM	Oscillations per minute
Min	Minutes
S	Seconds
 or a.c.	Alternating current
	Three-phase alternating current
	Three-phase alternating current with neutral

	Direct current
n_0	No load speed
	Alternating or direct current
	Class II construction
	Splash-proof construction
	Watertight construction
	Protective grounding at grounding terminal, Class I tools
.../min	Revolutions or reciprocations per minute
∅	Diameter
0	Off position
	Arrow
	Warning symbol
	Wear your safety glasses
	Wear a dust mask
	Wear hearing protection



This symbol designates that this tool is listed with Canadian requirements by ETL Testing Laboratories, Inc. Conforms to UL Std. 60745-1 and 60745-2-5.

KNOW YOUR CIRCULAR SAW



ASSEMBLY AND OPERATING

NOTE: For illustrative purposes, some drawings show the vacuum adaptor installed on the saw. The vacuum adaptor does NOT have to be installed if a vacuum is not being used.

REMOVING AND INSTALLING A BLADE

▲ WARNING: Always remove the plug from the power source before removing the blade or adjusting the saw in any way.

▲ WARNING: Use caution when handling the blade. It is sharp and can easily cut your hand.

1. Press inward on the shaft locking button (1) (Fig. 1).
2. Insert the 5mm hex key (2) into the blade screw (3). While pressing inward on the shaft locking button, rotate the hex key clockwise until the shaft locking button engages with the blade shaft. Continue turning the hex key clockwise and remove the blade screw and the outer blade flange (4).

NOTE: The blade screw is a left hand thread.

3. Rotate the blade guard lever (5) counter clockwise as far as it will go.
4. If there is already a blade installed on the saw, lift the blade off the spindle (6) and slide it out through the slot in the sole plate.

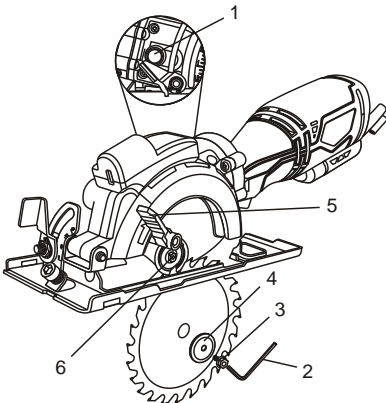


Fig. 1

5. To reinstall a blade, reverse the above procedure.

NOTES:

- a) Make sure the blade teeth are pointing forward at the bottom of the blade.
- b) When re-installing the outer flange nut make sure the flats of the flange nut fit over the flats on the spindle.
- c) Turn the blade screw counter clockwise to thread it into the spindle. Make sure the screw is not cross threaded.

6. When the new blade, outer flange and blade screw are in place, press the spindle locking button and fully tighten the blade screw.
7. When the blade screw is fully tightened, carefully rotate the blade to ensure it does not wobble. If it wobbles, remove and reinstall the blade making sure it is installed correctly.

SETTING THE CUTTING DEPTH

The cutting depth of the blade should be set to suit the thickness of the material being cut. The cutting depth should be approximately 1/8" (3 mm) greater than the thickness of the material being cut.

1. Rotate the cutting depth locking lever (1) counter clockwise (Fig. 2).
2. Lower the sole plate to the desired depth.
NOTE: Align the desired depth on the depth control scale (2) with the alignment mark (3) on the saw housing.

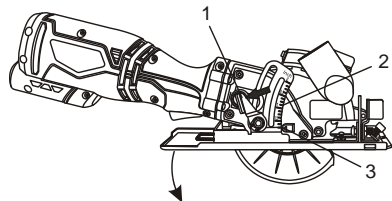


Fig. 2

ASSEMBLY AND OPERATING

SETTING THE BEVEL CUTTING ANGLE

The sole plate can be set to perform bevel cuts up to 45°.

1. Rotate the bevel angle locking lever (1) counter clockwise (Fig. 3).
2. Rotate the sole plate (2) to the desired angle.

NOTES:

- a) Align the desired angle on the bevel scale (3) with the alignment mark (4) on the sole plate housing.
- b) Always make a test cut on a scrap workpiece and check to make sure the bevel cut is correct.

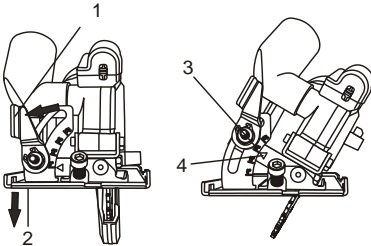


Fig. 3

SETTING THE "ZERO" BEVEL ANGLE FOR ACCURATE 90° CUTTING

Before making any cuts, it is important to make a test cut on a scrap workpiece and adjust the bevel angle stop if necessary to ensure that the "zero" bevel adjustment provides accurate 90° cuts.

1. Loosen the bevel locking lever (1) and rotate the sole plate toward the 0° mark as far as it will go and tighten the bevel angle locking lever (Fig. 4).
2. Make a test cut on a scrap workpiece and check the cut with a carpenter's square to verify that the saw is cutting at 90°.
3. If the test cut is not at 90°, turn the zero adjustment lock nut (2) counter clockwise approximately ¼ turn using a 7mm wrench.

4. Use a #2 (+) screwdriver to turn the zero bevel adjusting screw (3) in or out until the saw is cutting at 90° when the sole plate is contacting the adjusting screw.

5. Tighten the lock nut while using the screwdriver to prevent the adjusting screw from turning.

NOTE: When the final adjustment is made and the locknut tightened, recheck the cutting angle on a scrap workpiece.

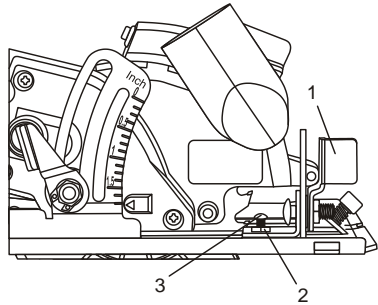


Fig. 4

INSTALLING THE EDGE GUIDE

The edge guide can be used to facilitate accurate cutting when ripping pieces up to 5" wide.

1. Loosen the edge guide locking screw (1) counter clockwise approximately 2 turns using the 5mm hex key (Fig. 5).
2. Slide the edge guide mounting rod (2) into the mounting slots (3) in the sole plate.
3. Align the desired cutting width on the scale (4) with the 0° cutting mark (5) in the sole plate.
4. Tighten the edge guide locking screw to lock the edge guide into position.
NOTE: Do not over tighten as you may strip the threads.
5. Make a test cut on a scrap workpiece to verify the edge guide setting. Adjust as necessary.

ASSEMBLY AND OPERATING

INSTALLING THE EDGE GUIDE – cont'd

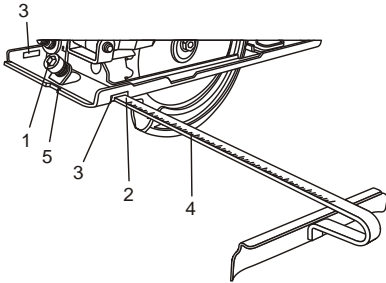


Fig. 5

INSTALLING THE VACUUM ADAPTER

A workshop vacuum can be attached to the circular saw to collect much of the dust created from cutting.

1. Place the small end of the vacuum adaptor (1) over the vacuum port (2) on the blade housing (Fig. 6).

NOTE: Rotate the adaptor slightly while pushing it onto the vacuum port.

2. Attach a standard workshop vacuum to the large end of the adaptor.

NOTE: Not all of the cutting dust will be captured by the vacuum as some will be thrown beyond the vacuum range.

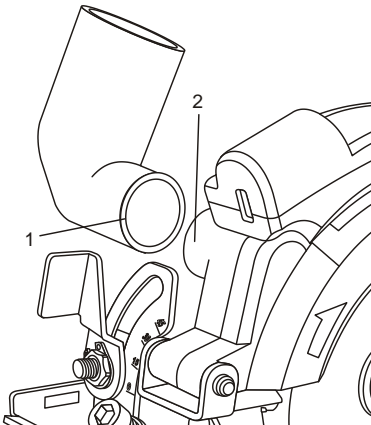


Fig. 6

WARNING

For safety reasons, the operator must read the sections of this Owner's Manual entitled "GENERAL SAFETY WARNINGS", "POWER TOOL SAFETY", "SPECIFIC SAFETY RULES", "EXTENSION CORD SAFETY" and "SYMBOLS" before using this circular saw.

Verify the following every time the circular saw is used:

1. Correct blade is installed for the material being cut.
2. Blade is in good condition and is properly installed.
3. Blade guard is in place and is in good working order.
4. Workpiece is properly secured.
5. Safety glasses, dust mask and hearing protection are being worn.

Failure to observe these safety rules will significantly increase the risk of injury.

LOCK-OFF BUTTON AND TRIGGER SWITCH

The lock-off button (1) is a safety device designed to reduce the possibility of accidentally starting the saw (Fig. 7). This button must be depressed before the trigger switch (2) can be depressed.

1. To turn the saw ON, depress the lock-off button with your thumb.
2. While holding the lock-off button in the depressed position, squeeze the trigger switch to start the saw.
3. Once the saw starts, release the lock-off button. The saw will remain running until the trigger switch is released.
4. To turn the saw OFF, release the trigger switch.

NOTE: The lock-off button must be depressed again to restart the saw.

ASSEMBLY AND OPERATING

LOCK-OFF BUTTON AND TRIGGER SWITCH – cont'd

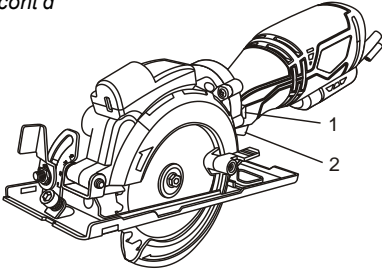


Fig. 7

LASER ON/OFF SWITCH

This saw is equipped with a laser guidance system for more precise cutting.

▲ DANGER: Never allow the laser beam to shine into a person's eyes. Serious eye damage could result.

To turn the laser ON, press the left side of the laser switch (1) (Fig. 8). To turn the laser OFF, press the right side of the laser switch.

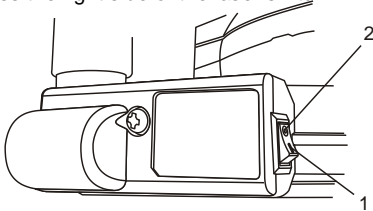


Fig. 8

MATERIALS YOU CAN CUT

The circular saw is a versatile saw that allows you to cut many different types of materials. Some of the materials include:

- Wood products such as lumber, hardwood, plywood, composition board and paneling
- Masonite and plastic

NOTE: There are several different types of blades available. Generally, blades with carbide-tipped teeth cut better and stay sharp longer. Tooth count and configuration are also important. High tooth counts cut slower and are best suited for making smooth cuts on thinner materials such as paneling. Use the correct blade for your application.

GENERAL CUTTING

NOTE: Always make a test cut on a scrap workpiece to verify that all settings are correct.

1. Make any adjustments to the saw before plugging it into the power source. Adjustments include cutting depth, bevel cutting angle and edge guide (if installed).
2. Clearly mark the workpiece to locate the position of the cut.
3. Hold a smaller workpiece with a vise. Clamp a larger workpiece to a work bench or table.

▲ DANGER: Any workpiece that is not adequately clamped in place or properly supported for cutting may come loose or jamb the blade, causing serious injury. Never hold the workpiece in your hand.

4. Make sure there are no nails, screws, clamps or foreign materials in the path of the saw blade.
5. Turn the laser ON.
6. Place the front edge of the sole plate on the workpiece.
7. While firmly gripping the saw, and with the blade NOT in contact with the surface to be cut, start the saw by depressing the lock-off button and then the trigger switch.
8. Once the saw has reached full speed, gradually bring the moving blade into contact with the workpiece at the appropriate location.

NOTE: To align the saw blade with the cutting mark, use the guide marks on the front of the sole plate (Fig. 9). Use the 0° cutting mark (1) and the laser line (2) for right angle cuts. Use the 45° mark (3) for 45° bevel cuts. The 45° mark will allow for the extra material needed for the angle cut. Always make a test cut on a scrap workpiece before cutting the new material.

ASSEMBLY AND OPERATING

GENERAL CUTTING – cont'd

▲ WARNING: Do not force the circular saw. Use only enough force to keep the blade cutting at full speed. Excessive pressure on the blade will cause it to slow down and overheat, resulting in poor cut quality and damage to the motor.

9. Turn laser OFF.

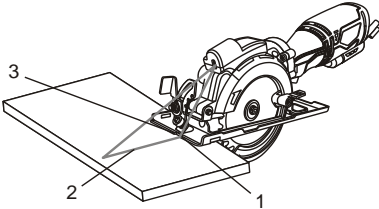


Fig. 9

PLUNGE CUTTING

▲ WARNING: To avoid loss of control, damage to the blade or damage to the workpiece, always use extreme caution when making plunge cuts. It is not recommended to plunge cut any material other than wood.

1. To plunge cut inside the edges of a workpiece, clearly mark the cutting line on the workpiece.
2. Set the depth (Fig. 2) and set the bevel angle at 0° (Fig. 3).
3. Set the saw on the workpiece so the front edge of the sole plate (1) is flat on the workpiece (Fig. 10).
4. Open the blade guard by rotating the blade guard lever (2) forward.
5. Align the saw blade with the cutting line (3) using the 0° cutting mark on the sole plate and the laser line.

NOTE: Make sure the saw blade is inside the area to be cut out.

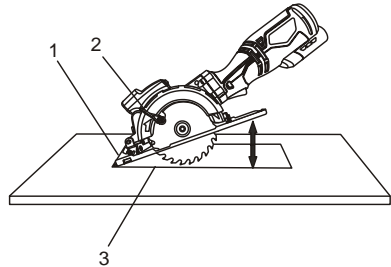


Fig. 10

6. Start the saw and slowly lower the blade onto the workpiece while holding the blade guard lever forward to allow the blade to cut into the workpiece.
7. Continue lowering the blade into the workpiece until the full cutting depth has been achieved. Continue sawing and complete the cut as required.

CUTTING USING THE EDGE GUIDE

Whenever possible, install the edge guide on the left hand side of the sole plate (Fig. 11). This will place the majority of the tool weight on the larger portion of the workpiece, making it easier to control the tool. If necessary, the edge guide may be installed from the opposite side, but the edge guide mounting rod **MUST** engage both of the edge guide slots in the sole plate.

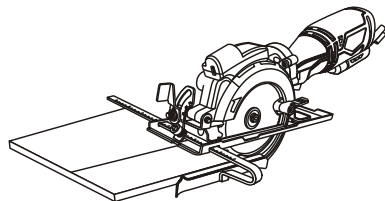


Fig. 11

ASSEMBLY AND OPERATING

CHANGING THE LASER BATTERIES

The batteries that operate the laser will have to be replaced after considerable use of the laser.

1. Turn the laser switch OFF.
2. Remove the laser cover screw (1) using a #2 \oplus screwdriver (Fig. 12).

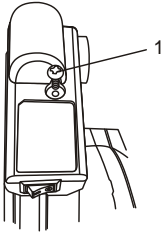


Fig. 12

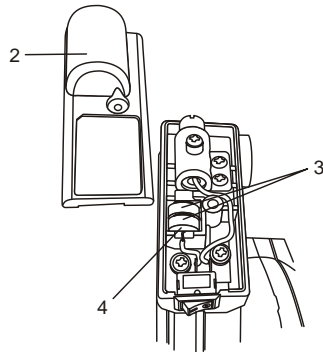


Fig. 13

3. Lift the laser cover (2) off the top of the laser assembly (Fig. 13).
4. Remove the two old batteries (3).

⚠ DANGER: Never allow the laser beam to shine into a person's eyes. Serious eye damage could result. Make sure the laser switch is OFF and the laser is NOT pointing toward you while replacing the laser batteries and when checking the laser function.

5. Insert two new batteries.

NOTES:

- a) Use two 1.5V LR 44 batteries
 - b) Install the batteries with the "+" side (4) of the batteries facing the rear of the tool.
6. Re-install the laser cover and fasten it in place with the laser cover screw.

MAINTENANCE

GENERAL

⚠ WARNING: When servicing, use only identical replacement parts. The use of any other part may create a hazard or cause product damage.

DO NOT use solvents when cleaning plastic parts. Plastics are susceptible to damage from various types of commercial solvents and may be damaged by their use. Use a clean cloth to remove dirt, dust, oil, grease etc.

⚠ WARNING: Do not allow brake fluids, gasoline, petroleum-based products, penetrating oils, etc. to come into contact with plastic parts. They contain chemicals that can damage, weaken or destroy plastic.

DO NOT abuse power tools. Abusive practices can damage the tool and the workpiece.

⚠ WARNING: DO NOT attempt to modify tools or create accessories. Any such alteration or modification is misuse and could result in a hazardous condition leading to possible serious injury. It will also void the warranty.

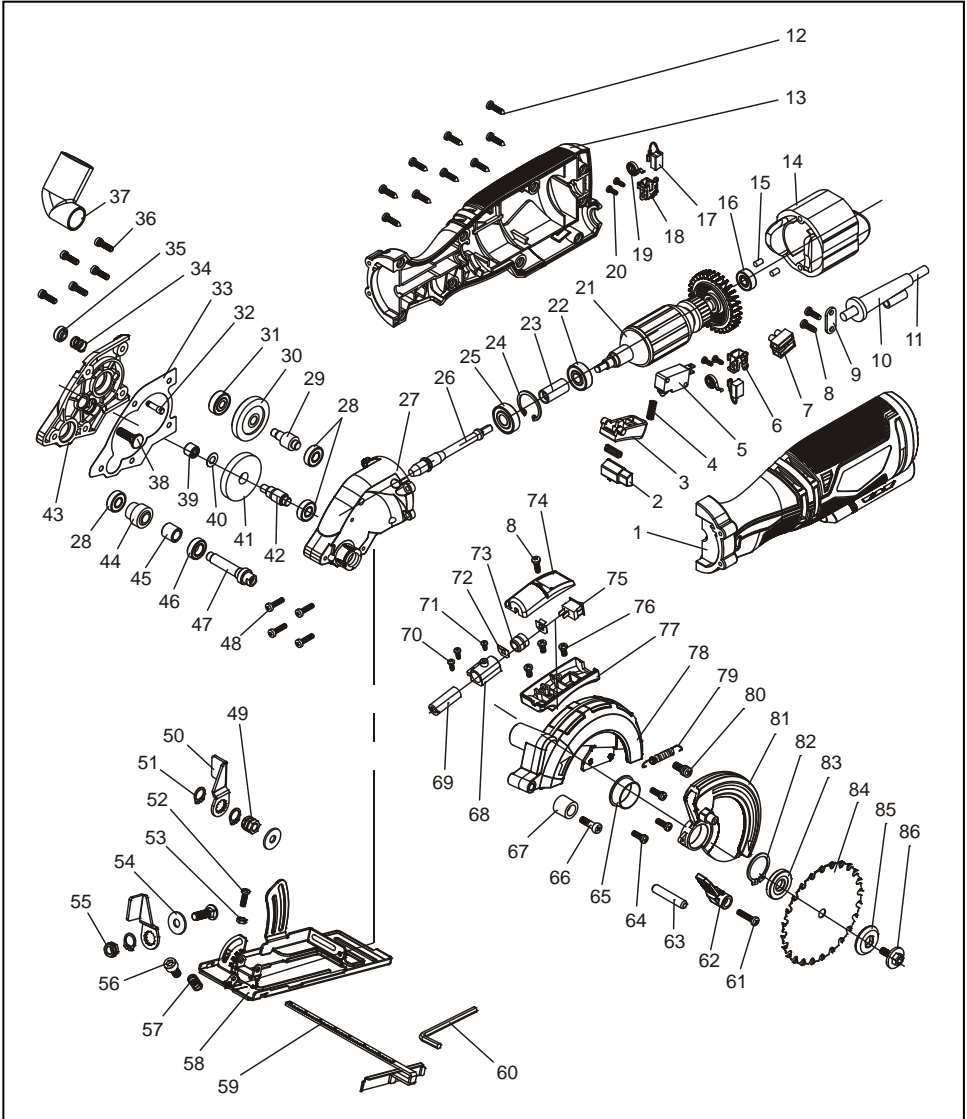
It has been found that electric tools are subjected to accelerated wear and possible premature failure when they are used on fiberglass boats and sports cars, wallboard, spackling compounds or plaster. The chips and grindings from these materials are highly abrasive to electric tool parts such as bearings, brushes, commutators, etc. Consequently, it is not recommended that this tool be used for extended work on any fiberglass material, wallboard, spackling compounds or plaster. During any use on these materials it is extremely important that the tool is cleaned frequently by blowing it out with an air jet.

⚠ WARNING: Always wear safety goggles or safety glasses with side shields during all cutting operations. It is critical that you also wear safety goggles or safety glasses with side shields and a dust mask while blowing dust out of the circular saw with an air jet. Failure to take these safety precautions could result in permanent eye or lung damage.

LUBRICATION

All of the bearings in this tool are lubricated with a sufficient amount of high-grade lubricant for the life of the unit under normal conditions. Therefore, no further lubrication is required.

EXPLODED VIEW



PARTS LIST

⚠ WARNING: When servicing, use only original equipment replacement parts. The use of any other parts may create a safety hazard or cause damage to the circular saw.

Any attempt to repair or replace electrical parts on this circular saw may create a safety hazard unless repairs are performed by a qualified technician. For more information, call the Toll-free Helpline, at 1-866-349-8665 Monday – Friday from 9am to 5pm Eastern Standard Time.

Always order by PART NUMBER, not by key number.

Key #	Part #	Part Name	Quantity
1	3011120013	Left housing	1
2	3120010135	Lock off button	1
3	3120010136	Trigger button	1
4	2050030022	Switch button spring	2
5	1062020071	Micro switch	1
6	1230030036	Brush holder	1
7	1250010006	Terminal block	1
8	4030010096	Screw ST3.9*12	3
9	2030050002	Power cord clamp	1
10	3140010032	Strain relief	1
11	1190030069	Power cord	1
12	4030010102	Screw ST3.9*16	9
13	3011120013	Right housing	1
14	1020120024	Stator	1
15	3140060002	Rubber washer $\Phi 4*7$	2
16	4010010032	Bearing 606Z	1
17	1230010161	Brush	2
18	1230030034	Brush holder	1
19	2050020031	Brush spring	2
20	4030010023	Screw ST2.9*8	4
21	1010120023	Rotor	1
22	4010010036	Bearing 608Z	1
23	2010080149	Coupler sleeve	1
24	4100010017	Snap ring	1
25	4010010105	Bearing 609RS	1
26	2040110052	Shaft/small bevel gear	1
27	2020020056	Gearbox housing	1
28	4010010094	Bearing 697RS	3
29	2040040128	Pinion gear	1
30	2040110053	Big bevel gear	1
31	4010010065	Bearing 626RS	1
32	2040160220	Spindle locking pin	1
33	3190090012	Gasket	1
34	2050040085	Spindle locking spring	1

PARTS LIST

Key #	Part #	Part Name	Quantity
35	3120020163	Spindle lock button	1
36	4020010169	Screw M4*14	5
37	3180040128	Vacuum adapter	1
38	4050040016	Screw M6*20(two ends)	2
39	4010020004	Needle bearing HK0608	1
40	2030020362	Washer Φ 0* Φ .1* T 0.5	1
41	2040080058	Big gear	1
42	2040040129	Big gear shaft	1
43	2020020057	Gearbox side cover	1
44	2040080059	Output gear	1
45	2010080150	Bushing	1
46	4010010154	Bearing 689Z	1
47	2040040130	Output shaft	1
48	4030010074	Screw ST3.9*14	4
49	4060010041	Screw M6x1(two ends)	1
50	2030030300	Depth setting lever	2
51	4100020012	Snap ring Φ 10	3
52	4020010003	Screw M4*12	1
53	4060010005	Washer M4	1
54	2030020240	Washer Φ 6* Φ 16*1.5	2
55	4060010016	Screw M6x1(two ends)	1
56	4020080019	Screw M6*12	1
57	2050060271	Edge guide locking screw	1
58	2030010068	Base	1
59	2030290004	Edge guide	1
60	6140020013	Hex key 5mm	1
61	4020010005	Screw M4*16	1
62	3120100061	Lower guard lever	1
63	4130010019	Pin Φ 6*35	1
64	4020010167	Screw M4*12 with washer	3
65	3150190207	Lower guard insert	1
66	4020010175	Screw M5*16	1
67	3140060061	Anti-vibration	1
68	3160060102	Laser	1
69	1220030013	Laser guide	1
70	4030010023	Screw ST2.9*8	2
71	4030010020	Screw ST2.9*8	1
72	2030190121	Cell spring	2
73	1260040003	Cell LR 44	2
74	3160060104	Laser cover	1
75	1062020072	Laser switch	1
76	4020010049	Screw M4*8	3
77	3160060103	Laser housing	1
78	2020080047	Upper blade guard	1
79	2050060270	Return spring	1

PARTS LIST

Key #	Part #	Part Name	Quantity
80	4020200002	Screw	1
81	2020080048	Lower blade guard	1
82	4100020028	Snap ring 22	1
83	2010140062	Inner flange	1
84	6070100004	24TCT blade	1
85	2010140063	Outer flange	1
86	4050050011	Screw M5*14(L)	1

PERFORMAX® CIRCULAR SAW WARRANTY

30-DAY MONEY BACK GUARANTEE:

This PERFORMAX® brand power tool carries our 30-Day Money Back Guarantee. If you are not completely satisfied with your PERFORMAX® brand power tool for any reason within thirty (30) days from the date of purchase, return the tool with your original receipt to any MENARDS® retail store, and we will provide you a refund – no questions asked.

2-YEAR LIMITED WARRANTY:

This PERFORMAX® brand power tool carries a 2-Year Limited Warranty to the original purchaser. If, during normal use, this PERFORMAX® power tool breaks or fails due to a defect in material or workmanship within two (2) years from the date of original purchase, simply bring this tool with the original sales receipt back to your nearest MENARDS® retail store. At its discretion, PERFORMAX® agrees to have the tool or any defective part(s) repaired or replaced with the same or similar PERFORMAX® product or part free of charge, within the stated warranty period, when returned by the original purchaser with original sales receipt. Notwithstanding the foregoing, this limited warranty does not cover any damage that has resulted from abuse or misuse of the Merchandise. This warranty: (1) excludes expendable parts including but not limited to blades, brushes, belts, bits, light bulbs, and/or batteries; (2) shall be void if this tool is used for commercial and/or rental purposes; and (3) does not cover any losses, injuries to persons/property or costs. This warranty does give you specific legal rights and you may have other rights, which vary from state to state. Be careful, tools are dangerous if improperly used or maintained. Seller's employees are not qualified to advise you on the use of this Merchandise. Any oral representation(s) made will not be binding on seller or its employees. The rights under this limited warranty are to the original purchaser of the Merchandise and may not be transferred to any subsequent owner. This limited warranty is in lieu of all warranties, expressed or implied including warranties or merchantability and fitness for a particular purpose. Seller shall not be liable for any special, incidental, or consequential damages. The sole exclusive remedy against the seller will be for the replacement of any defects as provided herein, as long as the seller is willing or able to replace this product or is willing to refund the purchase price as provided above. For insurance purposes, seller is not allowed to demonstrate any of these power tools for you.

For questions / comments, technical assistance or repair parts –
Please Call Toll Free at: 1-866-349-8665 (M-F 8am – 6pm)

SAVE YOUR RECEIPTS. THIS WARRANTY IS VOID WITHOUT THEM.

Distributed by: Menard, Inc., Eau Claire, WI 54703