

3. The workpiece is properly secured.

4. Safety glasses and hearing protection are being worn.

Failure to adhere to these safety rules can greatly increase the chances of serious injury.

MAINTENANCE

GENERAL DO NOT use solvents when cleaning plastic parts. Plastics are susceptible to damage from various types of commercial solvents and may be damaged by their use. Use a clean cloth to remove dirt, dust, oil, grease etc.

WARNING: Do not allow brake fluids, gasoline, petroleum-based products, penetrating oils, etc. to come into contact with plastic parts. They contain chemicals that can damage, weaken or destroy plastic.

WARNING: When cleaning the tool with compressed air, always wear safety goggles. Flying debris can cause serious eye damage.

DO NOT abuse power tools. Abusive practices can damage the tool and the workpiece.

WARNING: DO NOT attempt to modify tools or create accessories. Any such alteration or modification is misuse and could result in a hazardous condition leading to possible serious injury. It will also void the warranty.

LITHIUM-ION BATTERY MAINTENANCE

Lithium-ion batteries do not have a "memory" and do not require to be completely discharged periodically. It is recommended that you charge your Lithium-ion batteries after each use so they will be fully charged when needed.

NOTE: A fully charged battery will lose about 2% of its charge per month during storage.

BATTERY PACK REMOVAL AND PREPARATION FOR RECYCLING

To preserve our natural resources, please recycle or dispose of batteries properly.

The batteries supplied with this tool may contain chemicals and metals that are harmful to the environment. Never dispose of rechargeable batteries in your normal household garbage or in landfill sites because they will add to the pollution of the environment.

Consult your local waste authority for information regarding available recycling and disposal options.

WARNING: Upon removal of the battery pack, cover the terminals of the battery pack with electrical tape or heavy-duty adhesive tape. Never touch both terminals with metal objects or body parts, because a short circuit may result. Keep away from children. Do not attempt to destroy or disassemble battery pack or remove any of its components. Rechargeable batteries must be recycled or disposed of properly. Failure to comply with these warnings could result in fire and serious injury.

ACCESSORIES INCLUDED

ILLUSTRATION	DESCRIPTION	SIZE/SHAPE	QTY
	Brass Brush	1/4" Axial	1
	Brass Brush	7/8" AXIAL	1
	Bristle Brush	7/8" Radial	1
	Bristle Brush	1/4" Axial	1
	Felt Polishing Wheel	1/2"	3
	Felt Polishing Wheel	1"	3
	Felt Polishing Tip	3/8"	3
	Mandrel for Felt Wheel	1/8"	1
	Sanding Band	1/2"	18
	Drum Sander with 1/8" Shank	1/2" Diameter	1
	Diamond Ball	5/64" Ball	1
	Diamond Bit Cylinder	Cylinder	1
	Diamond Taper	5/64" Taper	1
	Multi-Purpose Bit	1/8" Cylinder	3
ILLUSTRATION	DESCRIPTION	SIZE/SHAPE	QTY
	Collet	1/8"	1
	Collet	3/32"	1

	Collet	1/16"	1
	Screw Mandrel	1/8"	1
	Screw Mandrel	3/32"	1
	Heavy Duty Cut-Off Wheel	15/16" x 0.031 Thick	23
	Collet Wrench		1
	Dressing Stone	3/8" x 3/8" x 1"	1
	Sanding Disc	3/4" Circular	31
	Various Grinding Stones	Assorted	10
	Collet nut		1

WARNING: When servicing, use only original equipment replacement parts. The use of any other parts may create a safety hazard or cause damage to the tool.

Any attempt to repair or replace electrical parts on this tool may create a safety hazard unless repairs are performed by a qualified technician. For more information, call the Toll-free Helpline, at 1-866-349-8665.

PARTS LIST

Always order by PART NUMBER, not by key number.

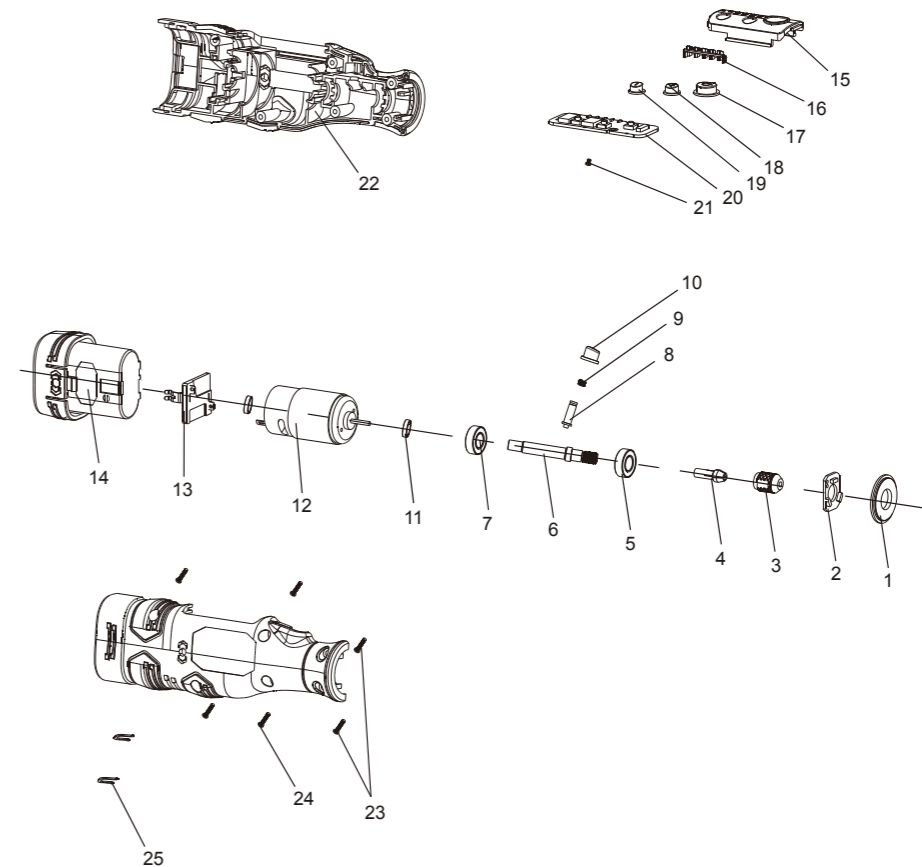
KEY #	PART #	PART NAME	QTY
1	3160060093	LED Light Cover	1
2	1130040074	LED PCB	1
3	2040190021	Collet Nut	1
4	2040280002	Collet	1
5	4010010006	Bearing 687	1
6	2040290108	Output Shaft	1
7	4010010041	Bearing 688	1
8	2040160086	Spindle Lock Pin	1
9	2050060113	Spindle Lock Spring	1
10	3120020168	Lock Cap	1
11	3140060027	Motor Positioning Ring	2
12	1039020003	Motor	1
13	1180060032	Battery Contacts Assembly	1
14	1290030002	Battery	1
15	3110010232	Speed Control Cover	1
16	3160070016	Speed Control assembly	1
17	3120010115	On-Off Button	1
18	3120020149	Speed Control Button +	1
19	3120020150	Speed Control Button -	1
20	1130030053	PCB	1
21	4030010020	Screw ST2.9X6	1
22	3010180008	Housing	1
23	4030010034	Screw ST2.9X12	2
24	4030010028	Screw ST2.9X16	4
25	2030090032	Flat U Clamps	2

WARRANTY

If this Benchmark tool fails due to a defect in material or workmanship within five years from the date of purchase, return it to any Home Hardware store with the original bill of sale for exchange. 3-year warranty for the battery and charger. This warranty does not include expendable parts including but not limited to blades, brushes, belts, light bulbs.

This warranty covers defects in material or workmanship only. It does not cover normal wear and tear, failure due to abuse/misuse, or defects caused by careless or accidental mishandling. If this Benchmark product is used for commercial or rental purposes, this warranty does not apply.

EXPLODED VIEW



8V MAX CORDLESS ROTARY TOOL KIT



BENCHMARKTM_{MC}

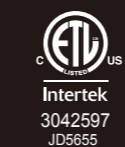
BENCHMARK TOOLS CANADA
ST. JACOBS, ONTARIO N0B 2N0
© 2020 Home Hardware Stores Limited
CUSTOMER SERVICE/TECH SUPPORT
1-866-349-8665

1280-003

Made in China



*This BenchmarkTM product carries a five (5) year LIMITED warranty against defects in workmanship and materials. The charger and batteries carry a three (3) year LIMITED warranty. See Owner's Manual for full details.



**READ ALL INSTRUCTIONS BEFORE FIRST USE.
KEEP THIS MANUAL FOR FUTURE REFERENCE.
KEEP AWAY FROM CHILDREN.**



WEAR CSA APPROVED EYE PROTECTION



WEAR EAR PROTECTION



WEAR A FACE MASK

BENCHMARKTM

8V MAX CORDLESS ROTARY TOOL KIT



5 year limited warranty on tool
3 year limited warranty on battery and charger



**READ ALL INSTRUCTIONS BEFORE FIRST USE.
KEEP THIS MANUAL FOR FUTURE REFERENCE.
KEEP AWAY FROM CHILDREN.**



WEAR CSA APPROVED EYE PROTECTION



WEAR EAR PROTECTION



WEAR A FACE MASK