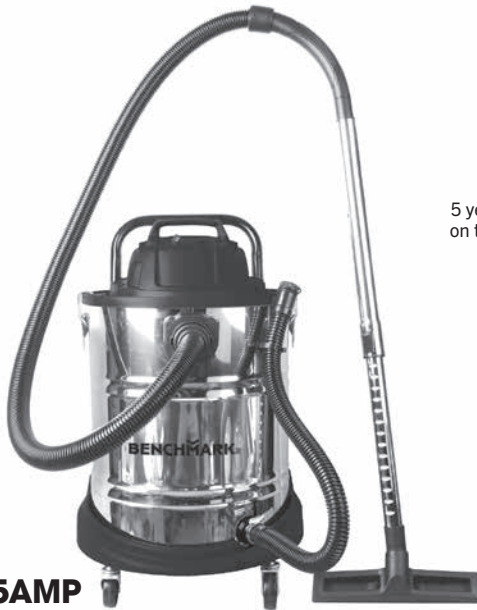


BENCHMARKTM MC

50L STAINLESS STEEL WET/DRY VACUUM



5 year limited warranty
on tool

120V 60HZ 8.5AMP



Intertek
5002219
JN308

Not suitable for ultra-fine dust collection such as drywall dust.
Such use will void the warranty.

**READ ALL INSTRUCTIONS BEFORE FIRST USE.
KEEP THIS MANUAL FOR FUTURE REFERENCE .
KEEP AWAY FROM CHILDREN.**



**WEAR CSA APPROVED
EYE PROTECTION**



**WEAR EAR
PROTECTION**



**WEAR A
FACE MASK**

PRODUCT SPECIFICATIONS

50L STAINLESS STEEL WET/DRY VACUUM	
Voltage	120V~ 60Hz
Rated Power	8.5A 6.5Peak HP
Tank Capacity	13Gal (50L)
Flexi Hose	1 1/4 in x 5 ft (32mm x 1.5m)
Flow rate	60 CFM
Power cord	13.13 ft (4m)
Replacement cartridge filter	1277-035
Replacement collection bag	1277-033
Weight	25.08 LBS (11.4 KGS)

When using an extension cord with your Wet/Dry Vac refer to the following table to determine the required AWG wire size. Before using the cleaner make sure the power cord and extension cord are in good working conditions. Make repairs or replacements before using the vacuum cleaner. Only use extension cords that are rated for outdoor use.

LENGTH OF EXTENSION CORD				
110V-120V	25'(7.5 m)	50' (15.25 m)	100' (30.5 m)	150' (45.7 m)
Amps	AWG Wire Size			
0-6	18	16	16	14
7-10	18	16	14	12
11-12	16	16	14	12
13-16	14	12	Not recommended	

NEED ASSISTANCE?

Call us on our toll-free customer support line:

1-866-349-8665

(Monday through Friday 9am – 5pm Eastern Standard Time)

- Technical questions
- Replacement parts
- Parts missing from package

TABLE OF CONTENTS

Product Specifications	1
Table of Contents	2
General Safety Warnings	3
Safety Symbols	3
Specific safety instructions for 50L Stainless Steel	
WET/DRY Vacuum	3 - 4
Servicing of A Double-Insulated Wet / Dry Vacuum	5 - 6
Know Your Wet/Dry Vacuum	7-8
Operation	9-11
Maintenance	12-13
Troubleshooting	13
Exploded View	14
Parts List	15-16
Warranty	17

GENERAL SAFETY WARNINGS





IMPORTANT SAFETY INSTRUCTIONS

Read and understand all safety and operational instructions. Failure to follow the safety rules listed below and other basic safety precautions may result in serious personal injury. Keep this manual, sales receipts, and applicable warranty forms for future reference.

SAFETY SYMBOLS

The purpose of safety symbols is to alert you of the potential safety RISKS.

Recognize and understand them. Follow the instructions provided.

SYMBOL	MEANING
	Failure to obey a DANGER safety alert WILL result in serious personal injury or death to you or to others. Always obey all messages following this symbol to reduce the risk of serious personal injury or death.
	Failure to obey a WARNING safety alert MAY result in serious personal injury or death to you or to others. Always obey all messages following this symbol to reduce the risk of potential serious personal injury or death.
	Failure to obey a CAUTION safety alert MAY result in personal injury or property damage to you or to others. Always obey all messages following this symbol to reduce the risk of personal injury or property damage.
	Failure to obey a NOTICE or a CAUTION (without a safety alert) MAY result in property damage to you or to others. Always obey all messages following this symbol to reduce the risk of property damage.

SPECIFIC SAFETY INSTRUCTIONS FOR 50L STAINLESS STEEL WET/DRY VACUUM

- Read all instructions before using this appliance
- Read and understand this instruction manual and all labels on the Wet/Dry Vacuum before using.
- Safety is a combination of common sense, staying alert and knowing how this Wet/Dry

Vacuum works. Use this Wet/Dry Vacuum only as described in this manual. To reduce the risk of personal injury or damage to the Wet/Dry Vacuum, use only recommended accessories.

Save this manual for future reference.

When using this Wet/Dry Vacuum follow basic safety precautions including the following:**To reduce the risk of fire, electric shock or injury:**

- Do not run the Wet/Dry Vacuum unattended.
- Do not vacuum, or use this Wet/Dry Vacuum near liquids, gases, or explosive vapours like gasoline or similar fuels, lighter fluid, cleaners, oil based paints, natural gas or hydrogen. Do not vacuum or use this Wet/Dry Vacuum near explosive dusts like coal dust, magnesium dust, grain dust, or gunpowder as sparks inside the motor can ignite flammable vapours or dust.
- Do not vacuum burning or smoking items such as cigarettes, matches, or hot ashes.
- Keep the cord away from heated surfaces.
- Do not expose to rain. Store indoors.
- Do not unplug by pulling on cord. To unplug, grasp the plug, not the cord.
- Do not use if the cord, plug or other parts are damaged.
- If the Wet/Dry Vacuum is not working correctly or has missing parts, has been dropped or damaged, left outdoors or dropped in water, return it to an independent service centre.
- Do not pull or carry by the cord. Do not use the cord as a handle, close a door on the cord, or pull the cord around sharp edges or corners.
- Do not run the Wet/Dry Vacuum over the cord.
- Do not handle the plug or the Wet/Dry Vacuum with wet hands.
- To reduce the risk of health hazards from vapours or dusts, do not vacuum toxic materials.
- Do not use or store near hazardous materials.
- Do not use this Wet/Dry Vacuum with a torn filter or without installing the filter except when vacuuming liquids as described in the operation section of this manual.
- Do not use the Wet/Dry Vacuum as a toy. Pay particularly close attention when it is being used by or near children.
- To reduce the risk of injury from the Wet/Dry Vacuum accidentally starting, unplug the power cord before changing or cleaning the filter.
- Do not leave the Wet/Dry Vacuum unattended when it is plugged in. Unplug it from the power outlet when not in use and before servicing. Turn off the Wet/Dry Vacuum before unplugging.
- Do not put any objects into the ventilation openings. Do not vacuum with the ventilation openings blocked.
- Keep free of dust, lint, hair or any other items that may reduce the air flow.
- Keep hair, loose clothing, fingers, and all body parts away from openings and moving parts.

To reduce the risk of falling, use extra care when cleaning on stairs.**When using as blower:**

- Direct air discharge only at work area.
- Do not use Wet/Dry Vac as a sprayer.
- Do not direct air at bystanders.
- Keep children away when blowing.
- Wear safety goggles.

This Wet/Dry Vacuum is double-insulated, eliminating the need for a separate grounding system. Use only identical replacements parts. Read the servicing instructions before servicing the Wet/Dry Vacuum.

Use this Wet/Dry Vacuum only as described in this manual.

Observe the following warnings that appear on the motor housing of this Wet/Dry Vacuum.

WARNING

SERVICING OF A DOUBLE-INSULATED WET/DRY VACUUM

In a double-insulated Wet/Dry Vacuum, two systems of insulation are provided instead of grounding. This means that no grounding is provided on a double-insulated appliance, nor should a means for grounding be added. Servicing a double-insulated Wet/Dry Vacuum requires extreme care and knowledge of the system and should be done only by qualified service personnel. Replacement parts for a double-insulated Wet/Dry Vacuum must be identical to the parts they replace. The double-insulated Wet/Dry Vacuum is marked with the words

“DOUBLE INSULATED” and the  symbol may also be marked on the appliance.

- For household use only.
- To reduce the risk of electric shock, unplug before cleaning or servicing.
- DO NOT use without filters in place.
- To reduce the risk of electric shock, use indoors only.

WARNING

If the supply cord is damaged, it must be replaced by the manufacturer or its service agent or a similarly qualified person in order to avoid a hazard.

WARNING

Remove the plug from the socket before performing maintenance. Before using the machine make sure that the frequency and voltage shown on the rating plate correspond with the mains voltage. Specifications and details are subject to change without prior notice. The accessories shown in the pictures may vary from model to model.

Servicing of Double-Insulated Wet/Dry Vacuum – Continued

 **Warning**

For your own safety, read and understand this instruction manual. Do not operate unattended. Do not use this Wet/Dry Vacuum to pick up hot ashes, coals, toxic, flammable or other hazardous materials. Do not use near explosive liquids or vapours.

 **WARNING**

To reduce the risk of electric shock, do not expose to rain. Store indoors.

 **CAUTION**

Do not vacuum drywall dust or cold fireplace soot or ash with a standard wet/dry filter. This dust is very fine and hence will not be captured by the filter and may cause damage. Refer to the operation section for proper filter selection.

 **CAUTION**

To reduce the risk of injury from moving parts, unplug before servicing.

 **WARNING**

MISUSE or failure to follow the safety rules stated in this instruction manual may cause serious personal injury.

Save these instructions for reference.

KNOW YOUR WET/DRY VACUUM

WARNING

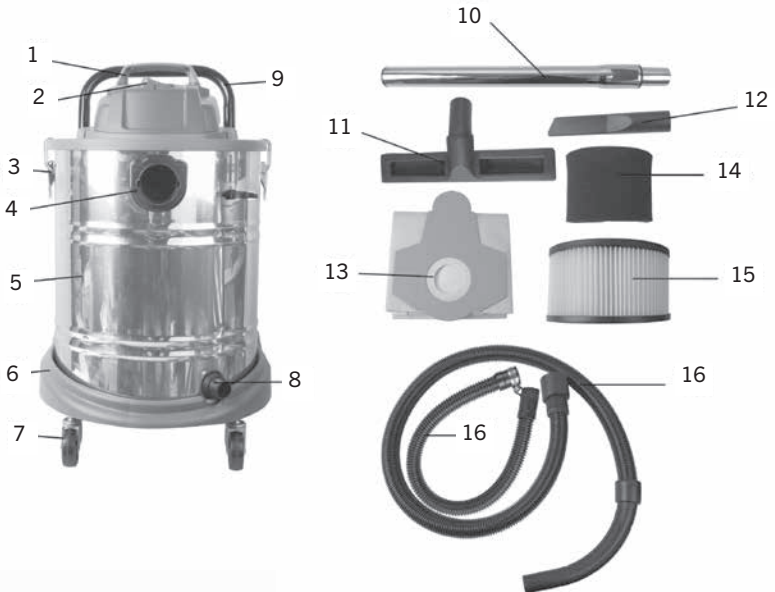
Attention

Before starting please read, understand, and apply the safety instructions.

Reminder: DO NOT vacuum hazardous substances.

FUNCTIONS

- | | |
|-----------------------------|----------------------------------|
| 1. Handle | 2. Power switch |
| 3. Lid Latches | 4. Vacuum port |
| 5. Dust tank | 6. Dolly |
| 7. Casters | 8. Drain |
| 9. Carry handle | 10. Extension wand |
| 11. Floor brush | 12. Crevice nozzle |
| 13. Foam filter | 14. Disposable filter bag |
| 15. Cartridge filter | 16. Flexible hose |



0 = OFF / I = ON

Know Your Wet/Dry Vacuum – Cont'd** ATTENTION**

Read the entire important safety information section at the beginning of this manual including all text under subheadings therein before set up or use of this product.

UNPACKING & SET-UP SUMMARY

1. Pull lid latches in an outward motion, remove power head and some accessories that may have been shipped in the tank.
2. Attach caster following the instructions as below:
 - a. Invert dust tank, insert two casters into hole of base.
 - b. Put the caster pole on the right position of the base. Align two holes of the pole with two holes of the base. Secure with screws provided.
 - c. Return dust tank assembly upright.
3. Attach the drain hose to the drain on the canister.

NOTE: THE DRAIN HOSE MUST BE INSTALLED ON THE DRAIN IN ORDER FOR THE VACUUM TO OPERATE PROPERLY.

4. Before replacing power head, refer to this manual to ensure you have the proper filters installed for the cleaning operation.
5. Replace power head, and apply pressure with thumb to each latch until it snaps tightly in place. Make sure all lid latches are clamped securely.
6. Insert the hose end into inlet of tank.
7. Attach the extension wands to the end of the hose. Apply slight pressure until fitting is tight.
8. Attach one of the cleaning accessories (depending on the cleaning requirements) on the extension wands. Twist slightly to tighten the connection.
9. Plug the cord into the wall outlet. The cleaner is ready for use.
10. Turn the unit "ON" by pushing the switch from position "O" to position "I". The "O" is the "OFF" position and the "I" is the "ON" position.

 WARNING

To reduce the risk of fire or explosion, do not operate this vacuum in areas with flammable gases, vapors or explosive dust in the air. Flammable gases or vapors include but are not limited to: lighter fluid, solvent-type cleaners, oil-based paints, gasoline, alcohol or aerosol sprays. Explosive dusts include but are not limited to: coal, magnesium, aluminum, and grain or gun powder. Do not vacuum explosive dust, flammable or combustible liquids or hot ashes. Do not use this vacuum as a sprayer for any flammable or combustible liquid. To reduce the risk of health hazards from vapors or dusts, do not vacuum toxic materials.

 WARNING

The operation of any utility vacuum can result in foreign objects being blown into the eyes, which can result in severe eye damage. Always wear safety eyewear complying with ANSI Z87.1 (or in Canada, CSA Z94.3) before starting operation.

 CAUTION

To reduce risk of hearing damage, wear ear protectors when using the vacuum for extended hours or when using it in a noisy area.

DRY PICK-UP

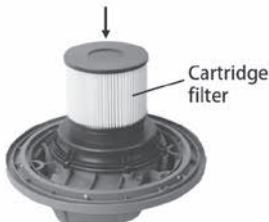
1. The filter must always be in correct position to reduce the risk of leaks and possible damage to the vacuum. Make sure that the filter is completely covering the filter cage. Make sure there are no gaps between the filter and the lid. (See illustration). It is very important to assemble the filter to the cage without allowing any possible leaks or tears. Any leaks will allow the picked up debris to be blown out of the blower port and back into the surrounding environment.
2. When using the vacuum to pick up very fine dust, it will be necessary to empty the dust tank and clean or replace the filter at more frequent intervals to maintain peak vacuum performance. Shake excess dust off filter with a rapid up-and-down movement.

NOTICE

A dry filter is necessary to pick up dry material. If you use the vacuum to pick up dust when the filter is wet, the filter will clog quickly and be very difficult to clean. If the filter gets wet, replace it before continuing to do dry pickups.

INSTALLING DISPOSABLE FILTER BAG

1. Slide the cardboard collar opening firmly onto the vacuum port deflector until it stops against the deflector wall.
2. Position the bag so that it is distributed around the inside of the tank.
3. Replace and secure the power head onto the tank.



WET PICK-UP

1. Install a foam filter over the filter basket.

NOTE:

Wet pick-up accessories should be washed periodically, especially after picking up wet, sticky kitchen accidents. This can be accomplished with a warm solution of soap and water.

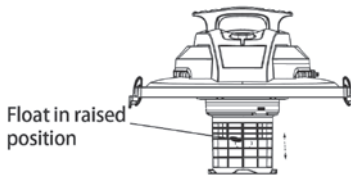
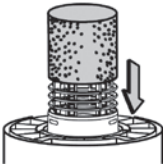
2. Insert the exhaust water pipe into the down drain hole. Tighten the screw of exhaust water pipe with screwdriver. Put the exhaust water pipe in the hook of the tank. Makes sure it higher than the tank.
3. This wet/dry vac is equipped with a float mechanism which will rise automatically to cut off the airflow when the liquid in the tank reaches a predetermined level. When this happens, turn off vac, unplug the power cord, and empty the dust tank. You will know that the float has shut the airflow off because the suction ceases and the motor noise becomes higher in pitch due to increased motor speed. The liquid capacity may vary with the rate of pickup.

IMPORTANT:

To reduce the risk of damage to the vacuum, do not run motor with float in raised position.

NOTE:

If accidentally tipped over, the vacuum could lose its suction ability. If this occurs, place vac in upright position and turn switch off. This will allow the float to return to its normal position, and you will be able to continue operation.



EMPTYING THE TANK

WARNING

To reduce the risk of injury from accidental starting, unplug power cord before emptying the dust tank.

FOR DRY USE

1. Remove the power head assembly of the wet/dry vacuum by pulling outward on the lid clips located on each side of the vacuum. Lift off the power head assembly.
2. Dump the tank contents into the proper waste disposal container.

FOR WET USE

Take down the exhaust water pipe from the hook, the liquid of the tank will drain from it.

BLOWING OPERATION

WARNING

Always wear safety eyewear complying with ANSI Z87.1 (or in Canada CSA Z94.3) when using as a blower. To avoid injury to bystanders, keep them clear of blowing debris.

CAUTION

Wear a dust mask if blowing creates dust which might be inhaled. To reduce the risk of hearing damage, wear ear protectors when using the vac/blower for extended hours or in confined space.

The vacuum contains a blowing feature. Follow the steps below to use the vacuum as a blower.

1. Locate blowing port on the vacuum.
2. Insert one end of the 6 ft x 1-7/8 in / 1.8 m x 48 mm hose into the blower port.
3. Turn the vacuum "ON".



MAINTENANCE

WARNING

To reduce the risk of injury from accidental starting, unplug power cord before changing or cleaning filter. The filter should be cleaned often to maintain peak Vacuum performance. Do not remove filter cage and float. The float prevents water from entering the impeller and damaging the motor. The cage prevents fingers from touching the moving impeller.

NOTICE

To avoid damage to the impeller and motor, always reinstall the reusable filter before using the vacuum for dry pickups and always reinstall the foam filter before using the vacuum for wet pickups.

After cleaning, check the filter for tears or small holes. Do not use a filter with holes or tears in it. Even a small hole can cause dust to come out of the vacuum. Replace it immediately.

Before installing the filter on the vacuum, clean the area of the lid so that the clamp ring will seal the bag against the lid and stop small particles from bypassing the filter bag. If the filter is clean and not damaged, replace it on the filter cage. If it cannot be reused, place a new filter over the filter cage.

Clean the filter in an open area.

CLEANING

To keep the wet/dry vacuum looking its best, clean the outside with a cloth dampened with warm water and mild soap.

To clean the tank:

1. Dump out debris.
2. Wash tank thoroughly with warm water and mild soap.
3. Wipe out with dry cloth.

STORAGE

Before storing the vacuum, the dust tank should be emptied and cleaned. The cord should be wrapped and hung on the unit and the accessories should be kept in the accessory holder so they can be readily available. The vacuum should be stored indoors.

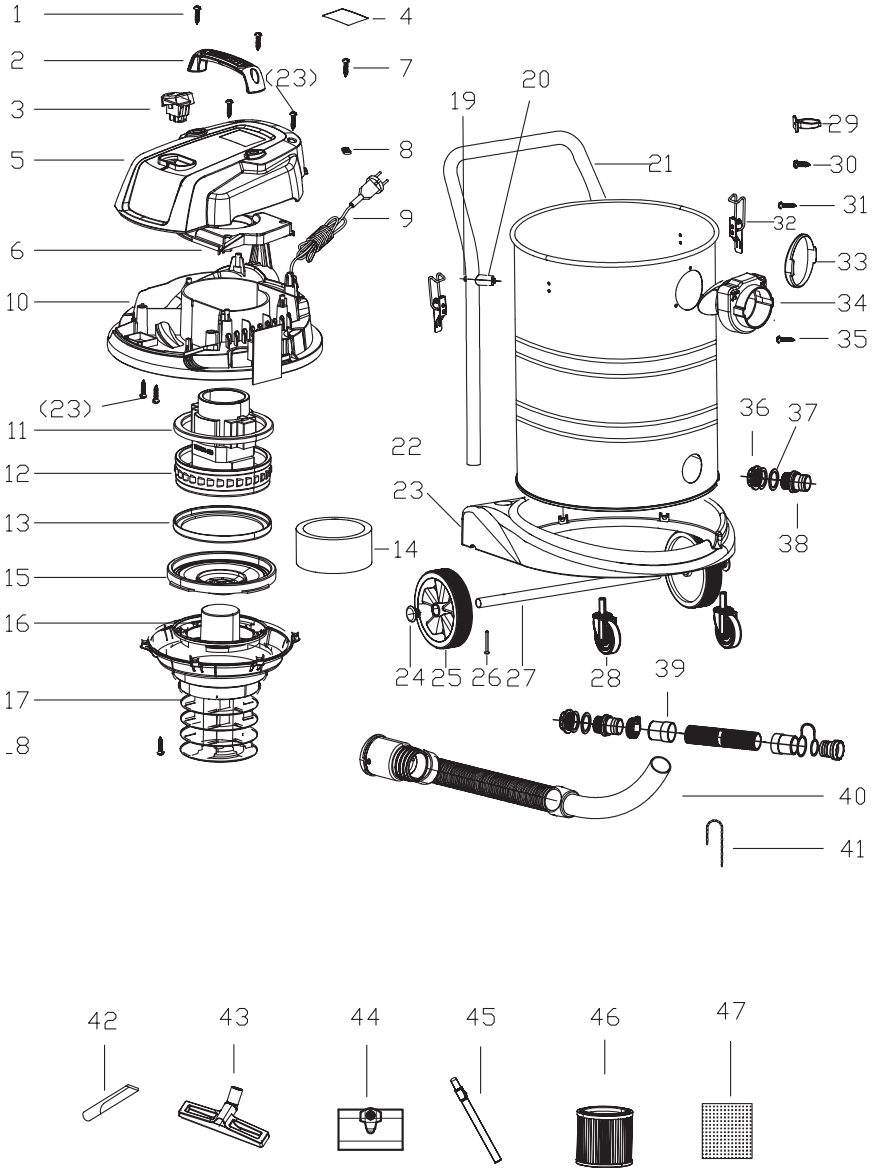
TROUBLESHOOTING

WARNING

Minor problems often can be fixed without calling customer service.

PROBLEM	POSSIBLE CAUSE	CORRECTIVE ACTION
Vacuum will not run	No electricity	Make sure electrical outlet has voltage (A qualified electrician may need to be contacted)
Loss of suction, Wet pick-up	1. Full tank 2. Clogged hose	1. Drain and clean tank 2. Remove hose and clean
Loss of suction, dry pick-up	1. Full tank 2. Clogged hose	1. Drain and clean tank 2. Remove hose and clean debris

EXPLODED VIEW



⚠ WARNING

When servicing, use only original equipment replacement parts. The use of any other parts may create a safety hazard or cause damage to the wet/dry vacuum. Any attempt to repair or replace electrical parts on this wet / dry vacuum may create a safety hazard unless repairs are performed by a qualified technician.

PARTS LIST

Key #	Part #	Part Name	Quantity
1	1277-027-001	Handbar screw 4 x 16	2
2	1277-027-002	Handbar	1
3	1277-027-003	Cord Sleeve	1
4	1277-027-004	Label	1
5	1277-027-005	Top cover	1
6	1277-027-006	Motor cover	1
7	1277-027-007	Top cover screw 4 x 16	2
8	1277-027-008	Power cord strain relief	1
9	1277-027-009	Power cord	1
10	1277-027-010	Bottom cover	1
11	1277-027-011	Top sealing ring of motor	1
12	1277-027-012	Motor	1
13	1277-027-013	Bottom sealing ring of motor	1
14	1277-027-014	Motor noise reduction sponge	1
15	1277-027-015	Bottom frame for motor	1
16	1277-027-016	Safety valve float	1
17	1277-027-017	Bottom cover basket	1
18	1277-027-018	Bottom cover basket screw 5 x 20	10
19	1277-027-019	Handle bar screws m5 x 60	2
20	1277-027-020	Handle bar mounting spacers	2
21	1277-027-021	Push rod	1
22	1277-027-022	Tank	1
23	1277-027-023	Bottom base	1
24	1277-027-024	Rear wheels cover	2
25	1277-027-025	Rear wheels	2
26	1277-027-026	Rear wheels axle screw 5 x 35	2
27	1277-027-027	Rear wheels axle	1
28	1277-027-028	Swiveling casters	2
29	1277-027-029	Water outlet hose hanger	1
30	1277-027-030	Hanger fastening screws 4 x 12	4

Parts List – Continued

Key #	Part #	Part Name	Quantity
31	1277-027-031	Screw 4 x 16	4
32	277-027-032	Clamps sets	2
33	1277-027-033	Vacuum-inlet sealing ring	1
34	1277-027-034	Vacuum-inlet assembly	1
35	1277-027-035	Vacuum-inlet screw 4 x 16	3
36	1277-027-036	Water outlet base threaded ring	1
37	1277-027-037	Water outlet base spacer	1
38	1277-027-038	Water outlet screw on adapter	1
39	1277-027-039	Drain hose assembly	1
40	1277-027-040	Hose assembly 1.5m	1
41	1277-027-041	Anti electro static chain	1
42	1277-027-042	Ø32 crevice tool	1
43	1277-027-043	Wet & dry square brush	1
44	1277-027-044	Dust bag	1
45	1277-027-045	Metal telescopic tube	1
46	1277-027-046	Column filter for dry vacuum	1
47	1277-027-047	Foam filter for wet vacuum	1

WARRANTY**50L STAINLESS STEEL WET/DRY VACUUM**

If this Benchmark tool fails due to a defect in material or workmanship within five years from the date of purchase, return it to any Home Hardware store with the original bill of sale for exchange. 3-year warranty for the battery and charger.

This warranty does not include expendable parts including but not limited to blades, brushes, belts, light bulbs.

This warranty covers defects in material or workmanship only. It does not cover normal wear and tear, failure due to abuse/misuse, or defects caused by careless or accidental mishandling. If this Benchmark product is used for commercial or rental purposes, this warranty does not apply.

50L STAINLESS STEEL WET/DRY VACUUM



120V 60HZ 8.5AMP

BENCHMARKTM
MC

BENCHMARK TOOLS CANADA
ST. JACOBS, ONTARIO N0B 2N0
© 2021 Home Hardware Stores Limited

CUSTOMER SERVICE/TECH SUPPORT
1-866-349-8665

1277-027

Made in China



*This BenchmarkTM product carries a five (5) year LIMITED warranty against defects in workmanship and materials. See Owner's Manual for full details.



Intertek
5002219
JN308

**READ ALL INSTRUCTIONS BEFORE FIRST USE.
KEEP THIS MANUAL FOR FUTURE REFERENCE.
KEEP AWAY FROM CHILDREN.**

Not suitable for ultra-fine dust collection such as drywall dust.
Such use will void the warranty.



**WEAR CSA APPROVED
EYE PROTECTION**



**WEAR EAR
PROTECTION**



**WEAR A
FACE MASK**