

Radley®

7.5A 3 X 21" BELT SANDER

OWNER'S MANUAL



3 Year Limited Warranty on tool



Intertek
3042597
JD3764U

READ ALL INSTRUCTIONS BEFORE FIRST USE.
KEEP THIS MANUAL FOR FUTURE REFERENCE.
KEEP AWAY FROM CHILDREN.



WEAR CSA APPROVED
EYE PROTECTION



WEAR EAR
PROTECTION



WEAR FACE
PROTECTION



PRODUCT SPECIFICATIONS

PRODUCT NAME	1150-000
Rating	120V, 60Hz, AC
Amperes	7.5 A
Sanding belt speed	552-812 ft/min (no load)
Sanding belt size	3 × 21"
Weight	7lbs (3.19 kg)

NEED ASSISTANCE?

Call us on our toll free customer support line:

1-866-349-8665 (Monday through Friday 9am - 5pm Eastern Time)

- Technical questions
- Replacement parts
- Parts missing from package





TABLE OF CONTENTS


Product Specifications	1
Table of Contents	2
General Safety Warnings.....	3
Specific Safety Rules	6
Guidelines for Extension Cords	7
Symbols	8
Know Your Belt Sander.....	9
Assembly and Operating	10
Installing the Dust Box or Vacuum Hose	10
On/Off Trigger Switch and Lock-On Button	10
Variable Speed Control	11
Changing a Sanding Belt.....	11
Adjusting the Sanding Belt Tracking.....	12
Selecting the Correct Sanding Belt.....	13
Adjusting the Front Handle	13
General Purpose Sanding	13
Sanding Rough Wood Surfaces or Removing Paint.....	14
Sanding Concave Surfaces	15
Using the Sander as a Stationary Sander.....	15
Maintenance	16
Exploded View.....	17
Parts Listing.....	18
Warranty	20

GENERAL SAFETY WARNINGS

⚠️ WARNING: Before using this tool or any of its accessories, read this manual and follow all Safety Rules and Operating Instructions. The important precautions, safeguards and instructions appearing in this manual are not meant to cover all possible situations. It must be understood that common sense and caution are factors which cannot be built into the product.

EYE, EAR & LUNG PROTECTION

SYMBOL	MEANING
<p>⚠️ DANGER</p> 	<p>ALWAYS WEAR EYE PROTECTION THAT CONFORMS WITH CSA Z94.3 or ANSI SAFETY STANDARD Z87.1</p> <p>FLYING DEBRIS can cause permanent eye damage. Prescription eyeglasses ARE NOT a replacement for proper eye protection.</p> <p>Non-compliant eyewear can cause serious injury if broken during the operation of a power tool.</p>
<p>⚠️ WARNING</p> 	<p>Use hearing protection, particularly during extended periods of operation of the tool, or if the operation is noisy.</p>
<p>⚠️ WARNING</p> 	<p>WEAR A DUST MASK THAT IS DESIGNED TO BE USED WHEN OPERATING A POWER TOOL IN A DUSTY ENVIRONMENT.</p> <p>Dust that is created by power sanding, sawing, grinding, drilling, and other construction activities may contain chemicals that are known to cause cancer, birth defects, or other genetic abnormalities.</p> <p>These chemicals include:</p> <ul style="list-style-type: none"> • Lead from lead-based paints • Crystalline silica from bricks, cement, and other masonry products • Arsenic and chromium from chemically treated lumber . <p>The level of risk from exposure to these chemicals varies, according to how often this type of work is performed. In order to reduce exposure to these chemicals, work in a well-ventilated area, and use approved safety equipment, such as a dust mask that is specifically designed to filter out microscopic particles.</p>
<p>⚠️ WARNING</p> 	<p>To avoid electrical hazards, fire hazards or damage to the tool, use proper circuit protection.</p> <p>This tool is wired at the factory for 120 Volts AC operation. It must be connected to a 120 Volts AC, 15 Amps circuit that is protected by a time-delayed fuse or circuit breaker. To avoid shock or fire, replace power cord immediately if it is worn, cut or damaged in any way.</p>

 **WARNING:** Read all safety warnings and instructions. Failure to follow the warnings and instructions may result in electric shock, fire and/or serious injury.

Save all warnings and instructions for future reference.

WORK AREA SAFETY

Keep work area clean and well lit. Cluttered or dark areas invite accidents.

Do not operate power tools in explosive atmospheres, such as in the presence of flammable liquids, gases or dust. Power tools create sparks which may ignite the dust or fumes.

Keep children and bystanders away while operating a power tool. Distractions can cause you to lose control.

ELECTRICAL SAFETY

Power tool plugs must match the outlet. Never modify the plug in any way. Do not use any adapter plugs with earthed (grounded) power tools. Unmodified plugs and matching outlets will reduce risk of electric shock.

Avoid body contact with earthed or grounded surfaces such as pipes, radiators, ranges and refrigerators. There is an increased risk of electric shock if your body is earthed or grounded.

Do not expose power tools to rain or wet conditions. Water entering a power tool will increase the risk of electric shock.

Do not abuse the cord. Never use the cord for carrying, pulling or unplugging the power tool. Keep cord away from heat, oil, sharp edges or moving parts. Damaged or entangled cords increase the risk of electric shock.

When operating a power tool outdoors, use an extension cord suitable for outdoor use. Use of a cord suitable for outdoor use reduces the risk of electric shock is unavoidable, use a residual current device (RCD) protected supply. Use of a ground fault circuit interrupter (GFCI) reduces the risk of electric shock.

PERSONAL SAFETY

Stay alert, watch what you are doing and use common sense when operating a power tool. Do not use a power tool while you are tired or under the influence of drugs, alcohol or medication. A moment of inattention while operating power tools may result in serious personal injury.

Use personal protective equipment. Always wear eye protection. Protective equipment such as dust mask, non-skid safety shoes, hard hat, or hearing protection used for appropriate conditions will reduce personal injuries.

Prevent unintentional starting. Ensure the switch is in the off position before connecting to power source and/or battery pack, picking up or carrying the tool. Carrying power tools with your finger on the switch or energizing power tools that have the switch on invites accidents.

Remove any adjusting key or wrench before turning the power tool on. A wrench or a key left attached to a rotating part of the power tool may result in personal injury.

Do not overreach. Keep proper footing and balance at all times. This enables better

control of the power tool in unexpected situations.

Dress properly. Do not wear loose clothing or jewellery. Keep your hair, clothing and gloves away from moving parts. Loose clothes, jewellery or long hair can be caught in moving parts.

If devices are provided for the connection of dust extraction and collection facilities, ensure these are connected and properly used. Use of dust collection can reduce dust-related hazards.

POWER TOOL USE AND CARE

Do not force the power tool. Use the correct power tool for your application.

The correct power tool will do the job better and safer at the rate for which it was designed.

Do not use the power tool if the switch does not turn it on and off. Any power tool that cannot be controlled with the switch is dangerous and must be repaired.

Disconnect the plug from the power source and/or the battery pack from the power tool before making any adjustments, changing accessories, or storing power tools.

Such preventive safety measures reduce the risk of starting the power tool accidentally.

Store idle power tools out of the reach of children and do not allow persons unfamiliar with the power tool or these instructions to operate the power tool. Power tools are dangerous in the hands of untrained users.

Maintain power tools. Check for misalignment or binding of moving parts, breakage of parts and any other condition that may affect the power tool's operation. If damaged, have the power tool repaired before use. Many accidents are caused by poorly maintained power tools.

Keep cutting tools sharp and clean. Properly maintained cutting tools with sharp cutting edges are less likely to bind and are easier to control.

Use the power tool, accessories and tool bits etc. in accordance with these instructions, taking into account the working conditions and the work to be performed.

Use of the power tool for operations different from those intended could result in a hazardous situation.

Hold power tools by insulated gripping surfaces when performing an operation where the cutting tool may contact hidden wiring or its own cord. Contact with a "live" wire will make exposed metal parts of the tool "live" and shock the operator.

Use clamps or another practical way to secure and support the workpiece to a stable platform. Holding the work by hand or against your body leaves it unstable and may lead to loss of control.

SERVICE

Have your power tool serviced by a qualified repair person using only identical replacement parts. This will ensure that the safety of the power tool is maintained.

SPECIFIC SAFETY RULES

⚠️ WARNING: Know your belt sander. Read the Owner's Manual carefully. Learn the tool's applications and limitations, as well as the specific potential hazards related to this tool. Following this rule will reduce the risk of electric shock, fire, or serious injury.



Always wear eye protection. Any power tool can throw foreign objects into your eyes and cause permanent eye damage. ALWAYS wear safety goggles (not glasses) that comply with ANSI safety standard Z87.1. Everyday glasses have only impact resistant lenses. They ARE NOT safety glasses.

⚠️ WARNING: Wearing glasses or goggles that do not comply with ANSI Z87.1 could cause serious injury if they break.

Always wear hearing protection and a dust mask. Use only in a well-ventilated area. Using personal safety devices and working in a safe environment reduces the risk of injury.

⚠️ DANGER: Always unplug the tool from the power source before changing the sanding belt or cleaning the tool.

⚠️ DANGER: Never place hands or fingers near the sanding belt while the tool is running. Severe injury will result.

⚠️ WARNING: When turning the tool ON, make sure the sanding belt is tracking in the centre of the rollers.

⚠️ WARNING: After prolonged use, external metal parts will become hot to the touch.

Always turn the switch OFF and wait for the sanding belt to come to a complete stop before putting the sander down.

Always make sure the work surface is free of nails and other foreign objects. Contacting a nail can cause the tool to jump. It will also damage the sanding belt.

Always use a safe method to secure the workpiece. Never place hands near the sanding belt.

Never lay the workpiece on hard surfaces such as concrete, stone, etc. The tool may jump if the sanding belt contacts the hard surface. The sanding belt will also be damaged.

Make sure all rags, cords, string etc. are removed from the work area. Any of these items could be caught in the sanding belt and cause loss of control over the tool.

Never operate the tool while covering the air vents with your hands. The motor will overheat.

Do not force the sander. Let the tool do the work at a reasonable speed. Overloading will occur if too much pressure is applied and the motor runs slower, resulting in inefficient sanding and possible damage to the motor.

When sanding wood, use the vacuum whenever possible.

Never use the dust box or vacuum when sanding metal. Sparks could ignite

the dust collected in the vacuum.

Do not continue to use a worn, torn or clogged sanding belt. The sanded surface will be rough and the motor will become overloaded.

EXTENSION CORD SAFETY

Make sure your extension cord is the proper size. When using an extension cord, be sure to use one heavy enough to carry the current the tool will draw. An undersized cord will cause a drop in line voltage resulting in loss of power and overheating. The table on at right shows the correct size to use according to cord length and nameplate ampere rating. If in doubt, use the next heavier gauge. The smaller the gauge number the heavier the cord.

Be sure your extension cord is properly wired and in good condition. Always replace a damaged extension cord or have it repaired by a qualified electrician before using it. Protect your extension cord from sharp objects, excessive heat and damp or wet areas.

Use a separate electrical circuit for your power tools.

This circuit must not be less than 14 gauge wire and should be protected with either a 15A time delay fuse or circuit breaker. Before connecting the power tool to the power source, make sure the switch is in the OFF position and the power source is the same as indicated on the nameplate. Running at lower voltage will damage the motor.

⚠️WARNING:

Repair or replace damaged or worn extension cords immediately.

Select the appropriate extension cord gauge and length using the chart to the below.

When operating a power tool outdoors, use an outdoor extension cord marked “W-A” or “W”. These cords are rated for outdoor use and reduce the risk of electric shock.

⚠️WARNING:

Keep the extension cord clear of the working area. Position the cord so it will not get caught on the workpiece, tools or any other obstructions while you are working with the power tool.

MINIMUM GAUGE (AWG)					
Amperage rating		Total length			
More than	Not more than	25' (7.5 m)	50' (15 m)	100' (30 m)	150' (45m)
0	6	18	16	16	14
6	10	18	16	14	12
10	12	16	16	14	12
12	16	14	12	Not Applicable	

SYMBOLS

⚠ WARNING: Some of the following symbols may appear on the sander. Study these symbols and learn their meaning. Proper interpretation of these symbols will allow for more efficient and safer operation of this tool.

V	Volts		Three-phase alternating current with neutral
A	Amperes		Direct current
Hz	Hertz		No load speed
W	Watts		Alternating or direct current
kW	Kilowatts		Class II construction
μF	Microfarads		Splash-proof construction
L	Litres		Watertight construction
kg	Kilograms		Protective grounding at terminal, Class I tools
H	Hours		Revolutions or reciprocations per minute
N/cm ²	Newtons per square centimetre		Diameter
Pa	Pascals		Off position
OPM	Oscillation per minute		Directional arrow
Min	Minutes		Warning symbol
S	Seconds		Wear your safety glasses
~ or AC	Alternating current		Wear a dust mask
3 ~	Three-phase alternating current		Wear hearing protection

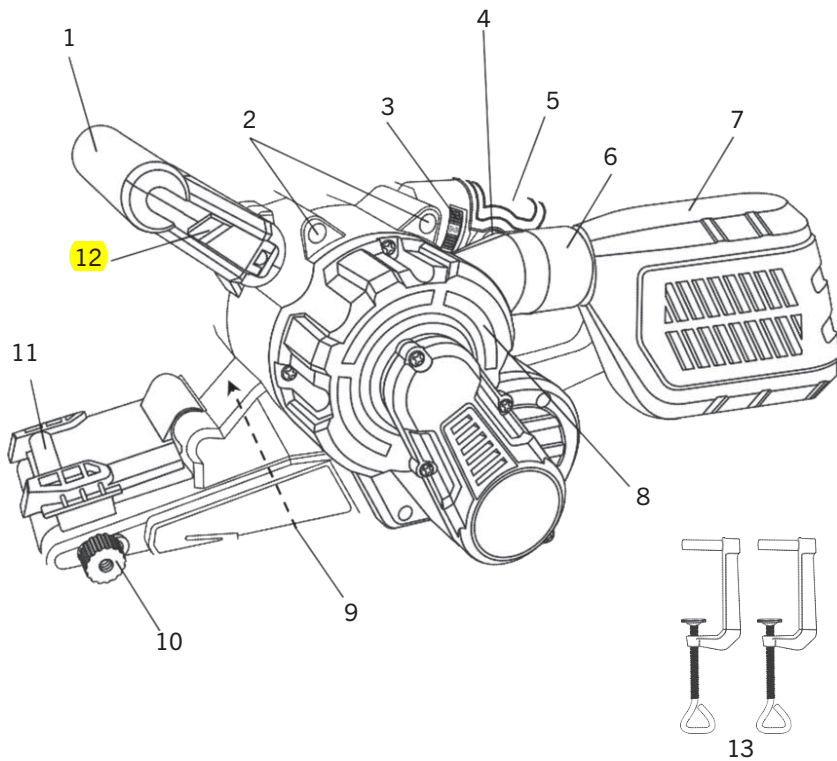


This symbol designates that this tool is listed with U.S. requirements by ETL Testing Laboratories, Inc. **UL62841-1, UL62841-2-4; CSA C22.2#62841-1, CSA C22.2#62841-2-4.**



KNOW YOUR BELT SANDER

1. Adjustable front handle
2. Clamping holes
3. Speed control wheel
4. Trigger switch lock-on button
5. Rear handle
6. Vacuum port
7. Dust box
8. Motor vents
9. Belt tension release lever on opposite side of base
10. Belt tracking knob
11. Hinged sanding belt cover
12. Adjustable handle latch
13. Clamps



ASSEMBLY AND OPERATING

INSTALLING THE DUST BOX OR ATTACHING A VACUUM HOSE

To install the dust box, insert the front of the dust box (1) into the dust port (2) (Fig. 1).

NOTE: Twisting the dust box slightly as it is being inserted into the dust port will ensure it is fully inserted and will stay in place.

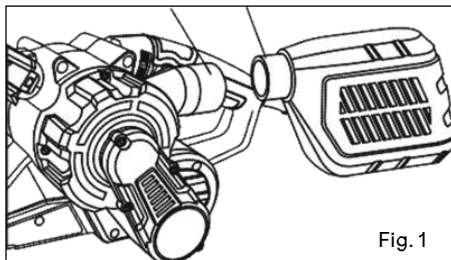


Fig. 1

If you choose to use a vacuum instead of the dust box, simply attach the vacuum hose to the dust port in a similar manner to installing the dust box.

⚠ DANGER: Never use the dust box or vacuum when sanding metal. Sparks could ignite the collected dust.

EMPTYING THE DUST BOX

To empty the dust from the dust box, remove the dust box from the sander and pour the contents into a trash can (Fig. 2).

NOTE: Shake the dust box to remove as much of the dust as possible.

⚠ DANGER: If you use compressed air to blow the dust out of the dust box you MUST wear safety goggles to prevent any dust from injuring your eyes.

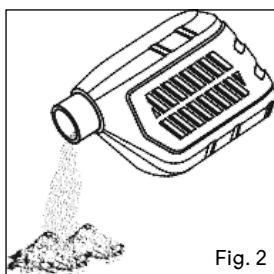


Fig. 2

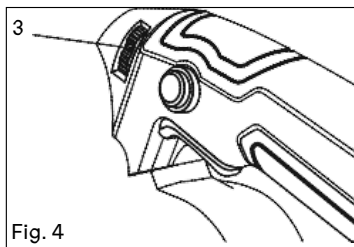
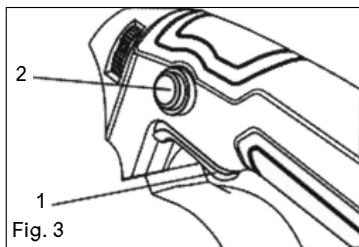
ON/OFF TRIGGER SWITCH AND LOCK-ON BUTTON

1. To turn the sander ON, squeeze the trigger switch (1) (Fig. 3).
2. To turn the sander OFF, release the trigger switch.

For continuous sanding the trigger switch may be locked in the ON position.

1. While the trigger switch is being squeezed and the sander is running, press and hold the lock-on button (2).

2. Release the trigger switch while continuing to press the lock-on button. Then stop pressing the lock-on button. The sander will continue to run.
3. To turn the sander OFF, squeeze the trigger switch then release it.



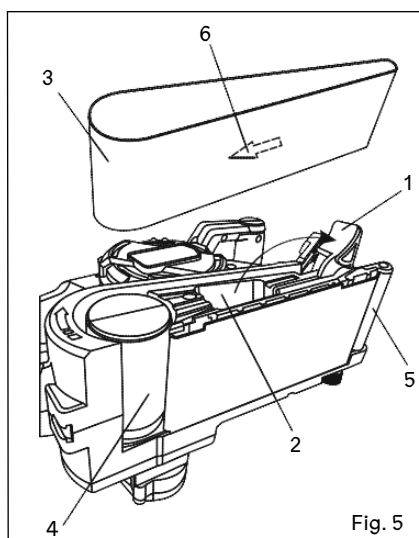
VARIABLE SPEED CONTROL

The speed of the sander can be increased or decreased by rotating the speed control wheel (3) (Fig. 4). Set the speed control wheel at #1 for the slowest speed. Set the speed control wheel at MAX for the fastest speed.

CHANGING A SANDING BELT

The sanding belt must be changed for the following reasons:

- The belt is badly worn or torn
- The belt is filled with sawdust or paint
- A different grit is required



⚠ WARNING: Always remove the plug from the power source before attempting to change the sanding belt.

1. Pull the belt tension release lever (1) away from the side of the sanding belt carrier (2)

NOTE:

The hinged front sanding belt cover may be lifted up for easier access to the front roller.

2. Slide the sanding belt (3) off the rear roller (4) and the front roller (5).

3. To install a new sanding belt, slide the new sanding belt over the rear and front rollers.

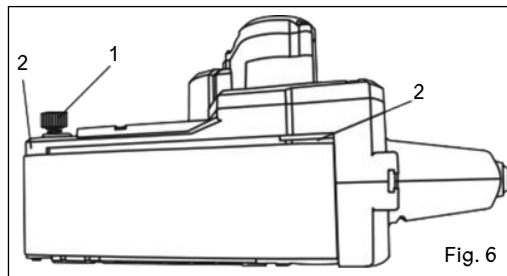
NOTES:

- a) Make sure the rotation arrow (6) inside the bottom of the sanding belt is pointing toward the rear of the tool.
- b) Make sure the sanding belt is centred on the rear and front rollers. 4. Push the tension release lever back into the side of the sanding belt carrier.
4. Squeeze the ON/OFF trigger switch momentarily and check to make sure the sanding belt is centred on the rear and front rollers. If the sanding belt is not centred on the rollers, adjust the sanding belt tracking as outlined in the following section.

ADJUSTING THE SANDING BELT TRACKING

If the sanding belt does not run in the centre of the sanding belt rollers, the sanding belt tracking adjustment knob must be used to correct the sanding belt alignment.

1. Turn the sander up-side down. Make sure the sanding belt is NOT touching anything. Set speed to #1.
2. Turn the sander switch ON and let the tool run for a few seconds.
3. While the sanding belt is turning, turn the tracking adjustment knob (1) very slightly and observe how the sanding belt moves on the sanding belt rollers (2) (Fig. 6).

**NOTES:**

- a) Make very small adjustments and let the tool run for a few seconds after each adjustment to allow the sanding belt to move to its new tracking position on the rollers.
- b) Turn the tracking adjustment knob clockwise to make the belt move toward the tracking knob. Turn the tracking adjustment knob counter clockwise to make the sanding belt move away from the tracking adjustment knob.
- c) Continue to make SMALL adjustments until the sanding belt is tracking in the centre of the rollers before using the sander on the workpiece.

SELECTING THE CORRECT SANDING BELT

The belt sander is designed to quickly remove large amounts of materials.

Selecting the correct sanding belt will allow the belt sander to work more efficiently and produce the desired surface finish. Typical sanding belt grades are:

- Coarse (40 grit)
- Medium (80 and 100 grit)
- Fine (120 grit)

Use coarse grade for fast material removal on rough surfaces and for paint removal.

Use medium grade for initial sanding of smoother surfaces.

Use fine grade for final sanding of the surface with the belt sander.

Always test the sanding belt on a scrap workpiece to ensure it will not damage your actual workpiece.

After completing sanding with the belt sander, a smoother finish will be achieved by final sanding with an orbital finishing sander.

⚠ WARNING: For safety reasons, the operator must read the sections of this Owner's Manual entitled "GENERAL SAFETY WARNINGS", "POWER TOOL SAFETY", "SPECIFIC SAFETY RULES", "GUIDELINES FOR EXTENSION CORDS" and "SYMBOLS" before using this belt sander.

Verify the following every time the belt sander is used:

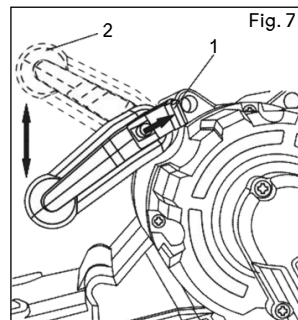
1. Safety glasses, safety goggles, or face shield is being worn.
2. Hearing protection and dust mask are being worn.
3. The sanding belt is in good condition and is the correct type for the workpiece.
4. The sanding belt is tracking in the centre of the rollers.
5. The power cord is clear of the sanding belt path.
6. The workpiece is clear of any foreign materials such as nails.

Failure to observe these safety rules will significantly increase the risk of injury.

ADJUSTING THE FRONT HANDLE

Before beginning to sand, it is important that you position the front handle of the sander to a position that is most comfortable for you.

1. Pull the front handle adjustment lever (1) out of the left hand side of the front handle (Fig. 7).
2. Move the handle up or down to the most comfortable position. **NOTE:** There are six positions available by "bumping" the handle up or down to each detent.
3. When the handle is positioned properly, push the front handle adjustment lever back into the handle to lock it into position.



GENERAL PURPOSE SANDING

⚠ WARNING: Never use the belt sander as a wet sander. The tool will be damaged and possibly become a fire hazard.

⚠ WARNING: Never use the belt sander to sand any metal containing magnesium. Magnesium could become a fire hazard.

1. Squeeze the trigger switch and check to make sure the sanding belt is tracking in the centre of the sanding belt rollers. Adjust if necessary (Fig. 6).
2. Carefully lower the tool until the sanding belt contacts the workpiece (Fig. 8).

NOTE: For general sanding, always place the sander on the workpiece so the sanding belt is running parallel to the wood grain. Sanding across the grain will produce a much rougher surface.

3. While applying only light pressure on the sander, move it across the workpiece surface to be sanded.

NOTES:

- a) It is important to keep the sander moving at all times while the sanding belt is in contact with the workpiece. Allowing the tool to become stationary will create a groove or detent in the workpiece.
 - b) Only apply light pressure to the sander while it is working. Applying too much pressure will slow the belt down and produce a rougher surface. It will also overheat and damage the motor.
4. When sanding is completed, lift the sander away from the workpiece and turn the switch OFF.

NOTE:

Always allow the sanding belt to come to a complete stop before setting the tool down.

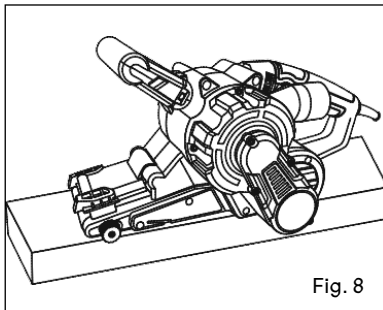


Fig. 8

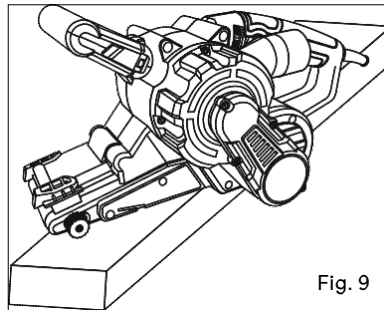


Fig. 9

SANDING ROUGH WOOD SURFACES OR REMOVING PAINT

1. Sand rough wood surfaces or remove paint by sanding across the grain at 45° in both directions (Fig. 9).

NOTES:

- a) Sanding at 45° will result in faster removal of surface material.
 - b) Move the sander in a linear motion only. Moving the sander in an orbital motion may cause the belt to track improperly on the sanding belt rollers.
2. Finish sanding parallel to the wood grain.

SANDING CONCAVE SURFACES

Use the front sanding belt roller to sand concave surfaces (Fig. 10).

NOTE: Use only slight pressure on the sander. Be careful to keep the sander moving while using the front roller only. The sander will easily gouge the workpiece if too much pressure is applied or if the sander is not kept moving.

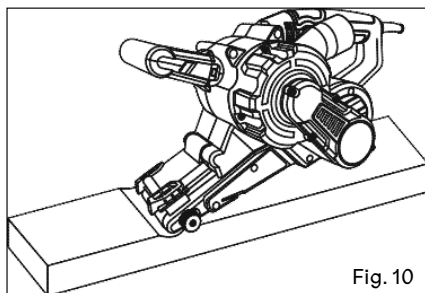


Fig. 10

USING THE SANDER AS A STATIONARY BELT SANDER

For sanding smaller workpieces this sander can be clamped up-side down onto a work bench.

1. Turn the sander upside down at the edge of the work bench (1) (Fig. 11).
2. Locate the two clamps that came with your belt sander.
3. Turn the "eye" of each clamp (2) counter clockwise until the clamps are fully opened.
4. Slide the clamp pins (3) into the clamping holes (4) in the sander.
5. Turn the "eye" of each clamp (2) clockwise until the clamps tightly hold the sander to the workbench.
6. When the sander is firmly anchored onto the workbench, set the sander speed control wheel, turn the sander ON and lock the switch ON using the lock-on button.
7. Use the sander as a stationary sander to sand smaller workpieces.

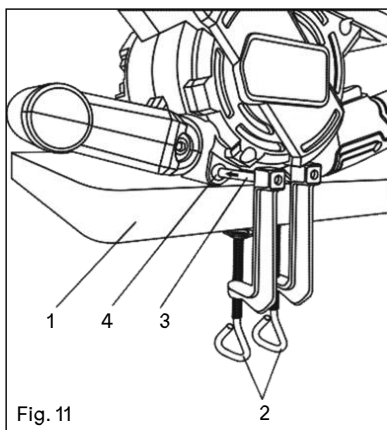


Fig. 11

MAINTENANCE

⚠️ WARNING: When servicing this tool, use only identical replacement parts. The use of any other part may create a hazard or cause product damage.

DO NOT use solvents when cleaning plastic parts. Plastics are susceptible to damage from various types of commercial solvents and may be damaged by their use. Use a clean cloth to remove dirt, dust, oil, grease, etc.

WARNING: Do not allow brake fluids, gasoline, petroleum-based products, penetrating oils, etc. to come into contact with plastic parts. They contain chemicals that can damage, weaken or destroy plastic.

DO NOT abuse power tools. Abusive practices can damage the tool and the workpiece.

⚠️ WARNING: DO NOT attempt to modify tools or create accessories. Any such alteration or modification is misuse and could result in a hazardous condition leading to possible serious injury. It will also void the warranty.

It has been found that electric tools are subjected to accelerated wear and possible premature failure when they are used on fiberglass boats and sports cars, wallboard, spackling compounds or plaster. The chips and grindings from these materials are highly abrasive to electric tool parts such as bearings, brushes, commutators, etc. Consequently, it is not recommended that this tool be used for extended work on any fiberglass material, wallboard, spackling compounds or plaster.

During any use on these materials it is extremely important that the tool is cleaned frequently by blowing the accumulated debris out with an air jet.

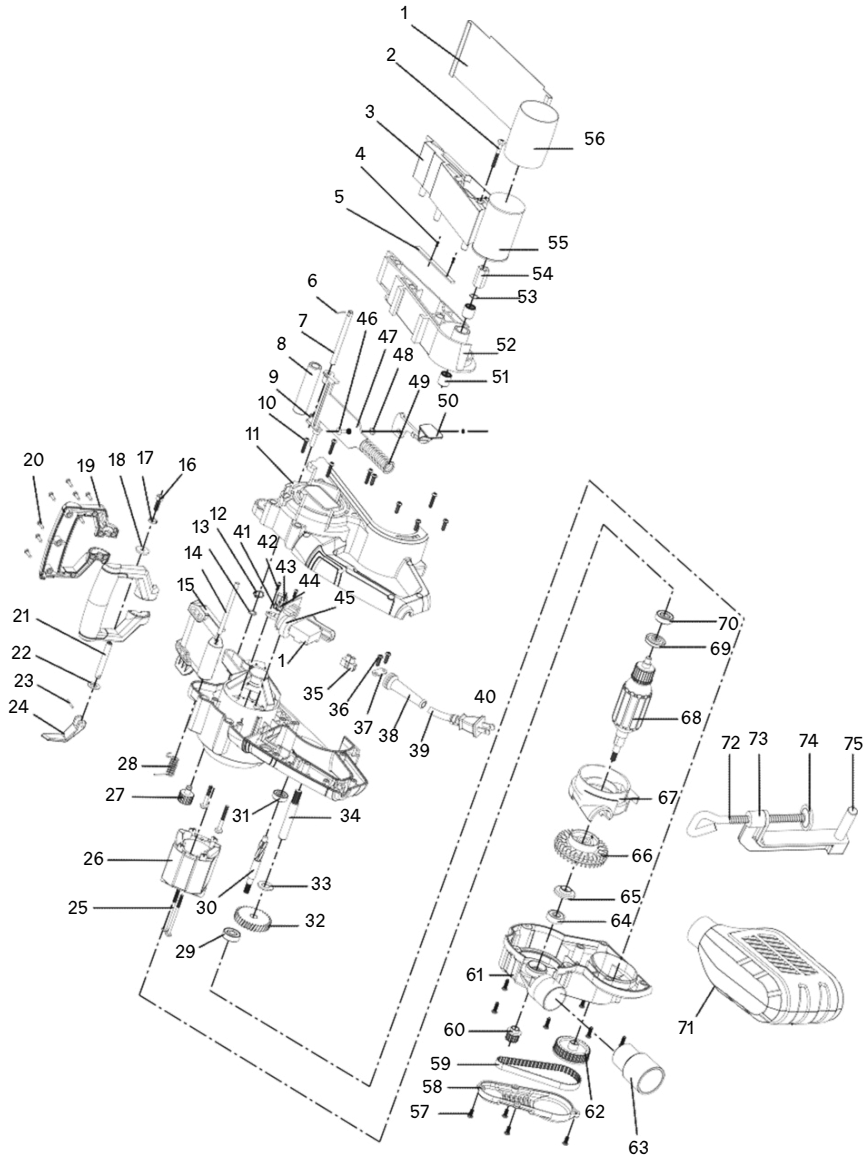
⚠️ WARNING: Always wear safety goggles or safety glasses with side shields during all cutting operations. It is critical that you wear safety goggles or safety glasses with side shields and a dust mask while blowing dust out of the belt sander with an air jet. Failure to take these safety precautions could result in permanent eye or lung damage.

LUBRICATION

All of the bearings in this tool are lubricated with a sufficient amount of high-grade lubricant for the life of the unit under normal conditions.

Therefore, no further lubrication is required.

EXPLODED VIEW



PARTS LIST

⚠ WARNING: When servicing, use only original equipment replacement parts. The use of any other parts may create a safety hazard or cause damage to the belt sander.

Any attempt to repair or replace electrical parts on this belt sander may create a safety hazard unless repairs are performed by a qualified technician. For more information, call the Toll-free Helpline, at 1-866-349-8665; Monday - Friday: 9am to 5pm Eastern Standard Time.

Always order by key number.

Key #	Part #	Part Name	Quantity
1	2030010067	Base	1
2	4030010125	Screw T3.9×35	3
3	3160040115	Base cover	1
4	4020020009	M4×6 screw	2
5	2030030299	Bumper block	1
6	4610010002	Steel wire	1
7	2040160217	Driven wheel shaft	1
8	2020160033	Driven wheel bushing	1
9	4010020002	Roller bearing	2
10	4030010106	Screw ST3.9×19	6
11	3011320001	Housing	1
12	4100020037	Snap ring 6mm	1
13	2030020369	Washer ø7.2xø10.5×1	1
14	2040160218	Pin ø5×76	1
15	3160040114	Movable guard	1
16	4020080010	Screw ø5×12	1
17	4040040001	Spring washer	1
18	2030020367	Washer ø5xø17×2	1
19	3120070059	Front handle	1
20	4030010034	Screw ST2.9×16	9
21	2040290043	Front handle shaft (19)	1
22	2030020200	Washer ø8.5xø16×1	1
23	2040160099	Front handle latch pin	1
24	2020230001	Front handle locking lever	1
25	4030010169	Screw ST4.2×55	2
26	1020090003	Stator	1

Key #	Part #	Part Name	Quantity
27	3120060070	Belt tracking knob	1
28	2050050056	Torsion spring	1
29	4010010106	Bearing 627-2RS	1
30	2040040126	Belt wheel shaft	1
31	4010010031	Bearing 626-2Z	1
32	2040080056	Big gear	1
33	2030020123	Washer $\phi 10.5 \times \phi 20 \times 1.5$	1
34	2040290104	Drive wheel shaft	1
35	1061040007	Switch	1
36	1250010003	Terminal block	1
37	4030010099	Screw ST3.9x14	12
38	2030050002	Cord clamp	1
39	3140010004	Cord sleeve	1
40	1190290013	UL cord	1
41	1230030025	Brush holder	2
42	4030010020	Screw ST2.9x6	4
43	2050020027	Brush spring	2
44	1230010141	Brush	2
45	1130010266	PCB	1
46	4090040020	Rivet	1
47	2030100083	Driven wheel support	1
48	2030020267	Washer $\phi 6.2 \times \phi 12 \times 1$	1
49	2050060263	Spring	1
50	3120100060	Belt tension release lever	1
51	4010020003	Roller bearing	2
52	2020140016	Base	1
53	2030020368	Washer $\phi 8.2 \times \phi 11 \times 0.5$	1
54	4060010037	Nut M8x25	1
55	3150230010	Drive wheel	1
56	3140080050	Rubber sleeve for drive wheel (55)	1
57	4030010243	Screw ST3.9x10	4
58	3160090118	Drive belt wheel cover	1
59	3150030023	Drive belt	1
60	2020160032	Small belt wheel	1
61	3150160256	Drive belt housing	1

Key #	Part #	Part Name	Quantity
62	13150030022	Large wheel	1
63	3180040127	Dust port	1
64	4010010048	Bearing 608-2RS	11
65	3150240031	608 bearing dust excluding ring	1
66	3150010123	Fan	1
67	3150050100	Air baffle	1
68	1010090003	Rotor	1
69	3150130030	Dust excluding ring	1
70	4010010053	Bearing 607-2RS	1
71	3180020041	Dust box	1
72	2040140063	Bolt	1
73	2020140017	Clamp	1
74	2030160164	Clamp plate	1
75	2040160219	Pin	1

WARRANTY

RADLEY 7.5A BELT SANDER WARRANTY

If this Radley Tool fails due to a defect in material or workmanship within three years from the date of purchase, return it to any Home Hardware store with the original bill of sale for exchange. Two years for battery and charger. This warranty does not include expendable parts including but not limited to blades, brushes, belts and light bulbs. This warranty covers defects in material or workmanship only. It does not cover normal wear and tear, failure due to abuse/misuse, or defects caused by careless or accidental mishandling. If this Radley product is used for commercial or rental purposes, this warranty does not apply. Need Assistance?

Radley[®]

7.5A 3 X 21" BELT SANDER

1262-801

7.5A 3 X 21" BELT SANDER

OWNER'S MANUAL



3 Year Limited Warranty on tool

Radley[®]

RADLEY TOOLS
ST. JACOBS, ONTARIO N0B 2N0
© 2021 Home Hardware Stores Limited
1-866-349-8665
Customer Service/Tech Support

1262-801

Made in China

**3 Year
warranty**

This Radley[®] product carries a three (3) year LIMITED warranty against defects in workmanship and materials. See Owner's Manual for full details.



Intertek
3042597
JD3764U

**READ ALL INSTRUCTIONS BEFORE FIRST USE.
KEEP THIS MANUAL FOR FUTURE REFERENCE.
KEEP AWAY FROM CHILDREN.**



**WEAR CSA APPROVED
EYE PROTECTION**



**WEAR EAR
PROTECTION**



**WEAR FACE
PROTECTION**