

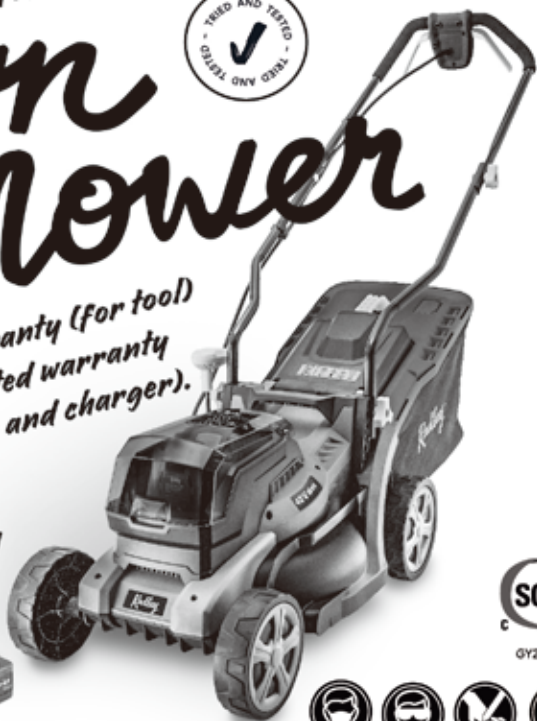
Radley®

40V Max* Lawn Mower



3 Year limited warranty (for tool)
and 2 year limited warranty
(for the battery and charger).

Owner's
Manual



20V + 20V = 40V



**READ ALL INSTRUCTIONS BEFORE FIRST USE.
KEEP THIS MANUAL FOR FUTURE REFERENCE.
KEEP AWAY FROM CHILDREN.**

*Uses two 20V Max lithium-ion batteries that deliver an initial battery voltage (measured without a workload) of 40 volts. Nominal voltage is 36V.

PRODUCT SPECIFICATIONS

40V MAX* LAWN MOWER	
Rated voltage	40V (2 x 20V) No Load
Rated no load speed	3300 RPM
Dimensions	47" /120cm x 13¾" /35cm x 37" /95cm
Cutting width	13"/34cm
Cutting height	1 ¹ / ₈ "- 3 ¹ / ₈ " /30-80mm, 6 levels
Grass catcher volume	9 gallons (35 L)
Weight	22 lbs. /9.9 kg

BATTERY AND CHARGER	
Battery	2 x 20V 4.0Ah Li-ion (Maximum charged battery voltage, each measured without load, is 20V and each with a nominal voltage of 18V)
Dual charger	Up to 140 minutes, Class II
Replacement battery	5350-014
Replacement charger	5350-013

Need Assistance?

Call us on our toll free customer support line:

1-866-349-8665 (Monday through Friday 9am – 5pm Eastern Standard Time)

- Technical questions
- Replacement parts
- Parts missing from package

TABLE OF CONTENTS

Product specifications	1
Table of contents	2
General safety warnings.....	3-4
Lawn mower safety	4-6
Battery Pack and Charger Safety.....	6-8
Recycling and disposal	9
Symbols	10-12
Assembly	13
Know your lawn mower	13-14
Assembly	15-17
Know your battery	17-18
Operation	19-22
Maintenance	23-25
Exploded view	26
Parts list	27-29
Warranty	30

GENERAL SAFETY WARNINGS

⚠ WARNING: Before using this tool or any of its accessories, read this manual and follow all Safety Rules and Operating Instructions. The important precautions, safeguards and instructions appearing in this manual are not meant to cover all possible situations. It must be understood that common sense and caution are factors which cannot be built into the product.

EYE, EAR & LUNG PROTECTION



ALWAYS WEAR EYE PROTECTION THAT CONFORMS WITH CSA REQUIREMENTS OR ANSI SAFETY STANDARD Z87.1

FLYING DEBRIS can cause permanent eye damage. Prescription eyeglasses ARE NOT a replacement for proper eye protection.

⚠ WARNING: Non-compliant eyewear can cause serious injury if broken during the operation of a garden tool.

⚠ WARNING: Use hearing protection, particularly during extended periods of operation of the tool, or if the operation is noisy.



WEAR A DUST MASK THAT IS DESIGNED TO BE USED WHEN OPERATING A GARDEN TOOL IN A DUSTY ENVIRONMENT.

⚠ WARNING: Dust that is created by power sanding, sawing, grinding, drilling, and other construction activities may contain chemicals that are known to cause cancer, birth defects, or other genetic abnormalities. These chemicals include:

Lead from lead-based paints.

Crystalline silica from bricks, cement, and other masonry products.

Arsenic and chromium from chemically treated lumber.

The level of risk from exposure to these chemicals varies, according to how often this type of work is performed. In order to reduce exposure to these chemicals, work in a well ventilated area, and use approved safety equipment, such as a dust mask that is specifically designed to filter out microscopic particles.

ELECTRICAL SAFETY



WARNING: To avoid electrical hazards, fire hazards or damage to the tool, use proper circuit protection.

SAVE THESE INSTRUCTIONS FOR REFERENCE



WARNING: Ventilation openings in batteries and chargers must always be open to allow cooling air to circulate freely. Air vents that are blocked, restricted or covered may result in the battery or charger overheating. Overheating may lead to damage to the tool or cause a fire, resulting in possible serious injury.

LAWN MOWER SAFETY

SAFETY WARNINGS

1. This product is not intended for use by persons (including children) with reduced physical, sensory or mental capabilities, or lack of experience and knowledge, unless they have been given supervision or instruction concerning use of the product by a person responsible for their safety.
2. Children should be supervised to ensure that they do not play with the product. Cleaning and user maintenance shall not be made by children without supervision.

SPECIFIC SAFETY RULES FOR ELECTRICALLY POWERED LAWN MOWERS TRAINING

1. Read the instructions carefully. Be familiar with the controls and the proper use of the product.
2. Never allow children or people unfamiliar with these instructions to use the product. Local regulations can restrict the age of the operator.
3. Never mow while people, especially children, or pets are nearby.
4. Keep in mind that the operator or user is responsible for accidents or hazards occurring to other people or their property.

PREPARATION

1. While mowing, always wear substantial footwear and long trousers. Do not operate the product when barefoot or wearing open sandals. Avoid wearing clothing that is loose fitting or that has hanging cords or ties.
2. Thoroughly inspect the area where the product is to be used and remove all objects which can be thrown by the product.
3. Before using, always visually inspect to see that the cutting blade, cutting blade bolts and cutting blade assembly are not worn or damaged. Replace worn or damaged cutting blades and bolts in sets to preserve balance. Replace damaged or unreadable labels.
4. CAUTION! Do not touch a rotating cutting blade.

READ ALL INSTRUCTIONS BEFORE USING THIS 40V MAX* LAWN MOWER

LAWN MOWER SAFETY CONT'D

OPERATION

1. Operate the product in daylight or in good artificial light.
2. Avoid operating the product in wet grass, where feasible.
3. Always be sure of your footing on slopes.
4. Walk, never run.
5. Mow across the face of slopes, never up and down.
6. Exercise extreme caution when changing direction on slopes.
7. Do not mow excessively steep slopes.
8. Use extreme caution when reversing or pulling the product towards you.
9. Stop the cutting blade(s) if the product has to be tilted for transportation when crossing surfaces other than grass, and when transporting the product to and from the area to be mowed.
10. Never operate the product with defective guards, or without safety devices, for example deflectors and/or grass catchers, in place.
11. Start the product or switch on the product carefully according to instructions and with feet well away from the cutting blade(s).
12. Do not tilt the product when switching on the motor, except if the product has to be tilted for starting. In this case, do not tilt it more than absolutely necessary and lift only the part, which is away from the operator.
13. Do not start the product when standing in front of the discharge chute.
14. Do not put hands or feet near or under rotating parts. Keep clear of the discharge opening at all times.
15. Never pick up or carry a product while the safety key is inserted.
16. Stop the machine, and remove the disabling device. Make sure that all moving parts have come to a complete stop:
 - Whenever you leave the product.
 - Before clearing blockages or unclogging chute.
 - Before checking, cleaning or working on the product.
 - After striking a foreign object. Inspect the machine for damage and make repairs before restarting and operating the product.If the product starts to vibrate abnormally (check immediately).
 - Inspect for damage.
 - Replace or repair any damaged parts.
 - Check for and tighten any loose parts.

MAINTENANCE AND STORAGE

1. Keep all nuts, bolts and screws tight to be sure the product is in safe working condition.
2. Check the grass catcher frequently for wear or deterioration.

SAVE THESE INSTRUCTIONS FOR REFERENCE

3. Be careful during adjustment of the product to prevent entrapment of the fingers between moving blades and fixed parts of the product.
4. Allow the product to cool before storing in any enclosure.
5. When servicing the blades be aware that, even though the power source is switched off, the blades can still be moved.
6. Replace worn or damaged parts for safety. Use only genuine replacement parts and accessories.
7. Wear strong work gloves when removing and reassembling the cutting device.

BATTERY PACK & CHARGER SAFETY

BATTERY SAFETY INSTRUCTIONS

⚠ WARNING! Only use the charger supplied with this kit to charge the 20V Li-ion batteries for this tool. Charging any other batteries may damage the charger and possibly cause serious injury.

1. **Recharge only with the charger specified by the manufacturer.** A charger that is suitable for one type of battery pack may create a risk of fire when used with another battery pack. Incorrect use may result in electric shock, overheating or leakage of corrosive liquid from the battery.
2. **Use machines only with specifically designated battery packs.** Use of any other battery packs may create a risk of injury and fire.
3. **Be aware of possible hazards when not using your battery tool or when charging accessories.** To reduce risk, remove the safety key and battery pack from the machine while not in operation. This will reduce the risk of electric shock, fire or serious personal injury.
4. **Do not place appliances or their batteries near fire or heat.** Continuous intense sunlight, fire or other heat sources may cause an increased danger of explosion.
5. **Do not crush, drop or damage the battery pack.** Do not use a battery pack or charger that has been dropped or received a sharp blow. A damaged battery is subject to explosion. Properly dispose of a dropped or damaged battery immediately.
6. **Batteries can explode in the presence of a source of ignition, such as a pilot light.** To reduce the risk of serious personal injury, never use any cordless product in the presence of an open flame. An exploded battery can propel debris and chemicals. If exposed, flush with water immediately.
7. **Do not charge battery in a damp or wet location.** Following this rule will reduce the risk of electric shock.

READ ALL INSTRUCTIONS BEFORE USING THIS 40V MAX* LAWN MOWER

8. **Longer life and better performance can be obtained if the battery pack is charged when the air temperature is between 75°F / 24°C and 64°F / 18 °C.** Do not charge the battery pack in air temperature below 41°F / 5°C or above 105°F / 40.5°C. This is important as it can prevent serious damage to the battery pack.
9. **Under extreme usage or temperature conditions, battery leakage may occur.** If liquid comes in contact with your skin, wash immediately with soap and water. If liquid gets into your eyes, flush them with clean water for at least 10 minutes, then seek immediate medical attention.
10. **When battery pack is not in use, keep it away from other metal objects like: paper clips, coins, keys, nails, screws, or other small metal objects that can make a connection from one terminal to another.** Shorting the battery terminals together may cause sparks, burns, or a fire.
11. **Do not disassemble the battery and avoid mechanical damage to the battery.** Risk of short circuit and fumes may be emitted. Ensure fresh air and seek medical assistance in the event of discomfort.
12. **Always remove battery pack from your tool when you are assembling parts, making adjustments, cleaning, or when not in use.** Removing battery pack will prevent accidental starting that could cause serious personal injury.
13. **Always remove battery pack before storing the device.** When battery becomes fully charged, unplug the charger from the power supply and remove the battery pack from the charger.
14. **Keep battery pack dry, clean, and free from oil and grease.** Always use a dry cloth when cleaning. Never use brake fluids, gasoline, petroleum-based products, or any solvents to clean battery pack.
15. **Keep the battery pack out of the reach of children.**

CHARGER SAFETY INSTRUCTIONS

1. **The plug of the charger must match the outlet.** Never modify the plug in any way. Unmodified plugs and matching outlets will reduce the risk of electric shock.
2. **Ensure the battery pack is charged indoors only, in a dry, cool and well ventilated environment.**
3. **Do not subject the battery to strong sunlight over long periods and do not leave it near a heat source.** Heat damages the battery and there is a risk of explosion.
4. **Allow a hot battery to cool before charging.**
5. **Do not use non-rechargeable batteries!**

SAVE THESE INSTRUCTIONS FOR REFERENCE

6. **Do not attempt to charge battery packs other than those supplied.** The charger and battery pack supplied with it are specifically designed to work together.
7. **Before each use, check the charger, cable and plug.** Do not use a defective charger and do not disassemble the charger. Incorrect reassembly may result in the risk of fire, electric shock or electrocution.
8. **Protect the charger against moisture and wet conditions.** There is a danger of electric shock.
9. **Operate the charger only with the appropriate original batteries.** Charging other batteries may result in injuries and risk of fire.
10. **Avoid mechanical damage to the charger.** This can result in internal short circuits.
11. **Do not operate the charger on easily inflammable surfaces (e.g. paper, textiles, etc.).** The heating of the battery charger during the charging process could pose a fire hazard.
12. **Do not abuse the cord of the charger.** Never use the cord for carrying, pulling or unplugging the charger.
13. **Keep the cord away from heat, oil, sharp edges or moving parts.** Damaged or entangled cords increase the risk of electric shock.
14. **Do not operate the charger with a damaged cord or plug, which could cause shorting and electric shock.** If damaged, immediately discontinue use. Replace the charger with the identical unit as listed in the Product Specifications in this manual. If the power cord for this equipment is damaged, it must be replaced by the manufacturer, a customer service agent of the same or qualified person in order to prevent hazards.
15. Do not use a charger that has been dropped or received a sharp blow.
16. The voltage indicated on the charger rating plate must correspond to the voltage of the power source.
17. Never touch the mains plug with wet hands.
18. **The battery of the appliance is not fully charged at the time of delivery.** It therefore needs to be fully recharged before you use it for the first time. For the first recharge cycle, charge the battery pack fully. Slot the battery into the base and plug the battery charger into an outlet.
19. It is good practice to unplug the charger and remove the lithium-ion battery pack when not in use.
20. This charger is not intended for use by persons (including children) with reduced physical, sensory or mental capabilities, or lack of experience and knowledge, unless they have been given supervision or instruction concerning use of the charger by a person responsible for their safety.
21. Children should be supervised to ensure that they do not play with the charger.

READ ALL INSTRUCTIONS BEFORE USING THIS 40V MAX* LAWN MOWER


RECYCLING AND DISPOSAL












 **WARNING! Do not dispose of batteries/rechargeable batteries into household waste!**

Please recycle where facilities exist. Check with your local authority or local store for recycling advice.






SAFETY SYMBOLS










WARNING! Please read all of the safety and operating instructions carefully before using this tool. Please pay particular attention to all sections of this User Guide that carry warning symbols and notices. Some of the following symbols may be used on this tool.

V	Volts
A	Ampere
Hz	Hertz
W	Watts
kW	Kilowatts
L	Litres
kg	Kilograms
mA	Milliampere
mAh	Milliampere-hour
min ⁻¹	per minute
mm	Millimetre
m/s ²	Metres per second squared.
	Only use the battery charger indoors.

	Direct current
 or a.c.	Alternating current
	No load speed
	Double insulation
	Diameter
	Directional arrow
	Polarity
	With fuse (xx °C)
	Lock / to tighten or secure.
	Unlock / to loosen.
dB(A)	Decibel (A-rated)
S	Seconds
	Recycle electrical waste products in an environmentally safe way where facilities exist.

	Warning! Danger.
	Read the operator's manual.
	WARNING! Beware of electric shocks.
	Wear hearing protection.
	Wear CSA Approved Eye Protection.
	Wear a face mask.
	Wear protective helmet and eye protection.
	Wear protective gloves.
	Wear protective footwear.
	Switch the product off and remove the battery pack to disconnect from the power supply before assembly, cleaning, adjustments, maintenance, storage and transportation.
	Do not expose the product to rain or wet conditions.
	Mow across the face of slopes, never up and down.
	Protection class II (Double insulation).

	Inspect the area where the product is to be used and remove all objects which can be thrown by the product. If objects are hidden while operating stop the product and remove the object.
	Keep hands and feet away from sharp rotating parts – danger of injury! When cleaning, repairing, or inspecting, make certain the cutting device and all mowing parts have stopped.
	Cutting device continues to rotate after the product is switched off. Wait until all machine components have completely stopped before touching the product.
	Objects thrown by the product could hit the user or other bystanders. Always ensure that other people and pets remain at a safe distance from the product when it is in operation. In general, children must not come near the area where the product is.
	Guaranteed sound power level value in dB.

	<p>Beware of sharp blades. Blades continue to rotate after the motor is switched off - Remove disabling device before maintenance.</p>		<p>Remove plug from the power source immediately if the power cord is damaged or cut.</p>
	<p>GO – grass catcher ready for grass collection STOP - grass catcher full, empty it</p>		<p>Crossed out dust bin. Batteries and battery packs should not be disposed of with household waste. Please recycle where facilities exist. Check with your Local Authority or local store for recycling advice.</p>
	<p>Batteries contain Lithium-ion. Do not dispose of batteries in household waste.</p>		<p>Do not dispose of battery packs in rivers or immerse in water.</p>
	<p>Do not dispose of battery packs in fire. They will explode or leak and cause injury.</p>		<p>Do not expose battery packs to heat in excess of 45°C.</p>
	<p>Approx. charging time</p>		

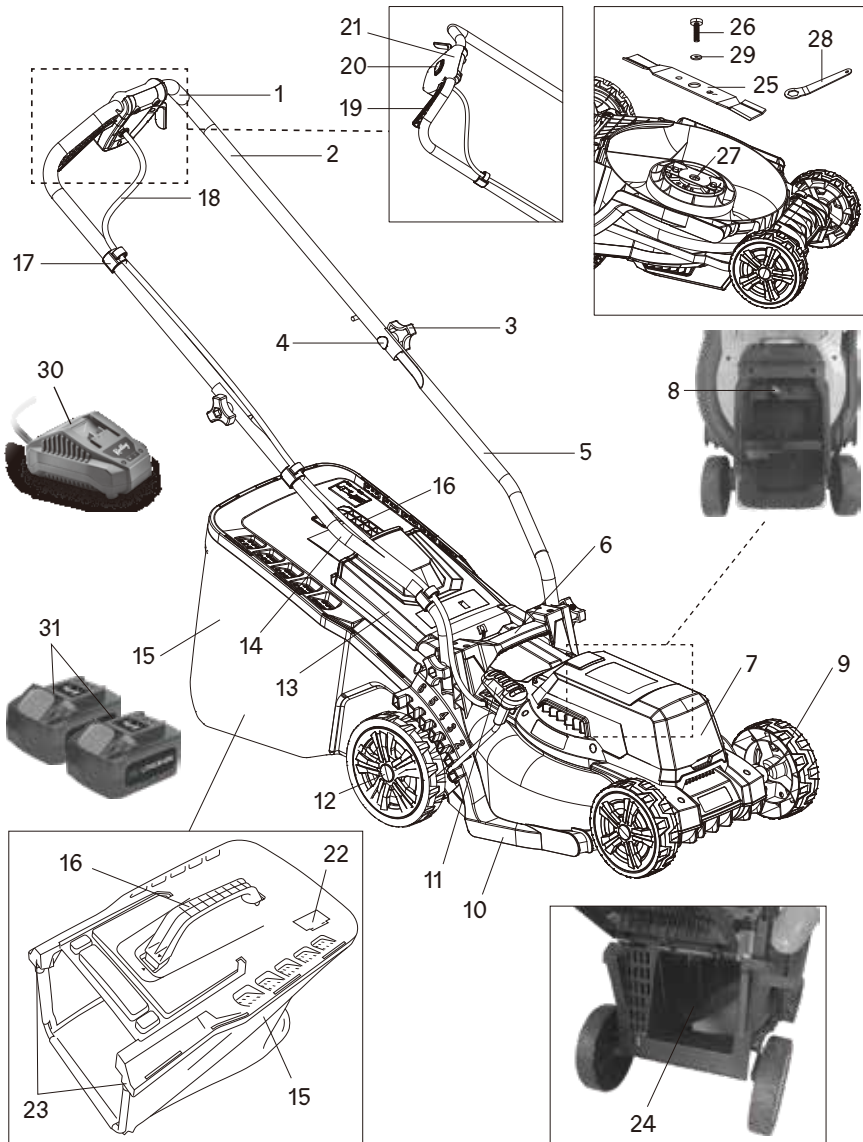


This symbol designates that this tool is listed with Canadian and U.S. requirements by cSGSus Testing Laboratories, Inc.

UL1447, CSA C22.2 No.147

GY225304

KNOW YOUR 40V MAX* LAWN MOWER



S/N	Part name
1	Grip handle
2	Upper handlebar
3	Knob (x4)
	a. Washer (x4)*
4	Bolt (x2)
5	Lower handlebar (Left)
6	Transport handle
7	Battery compartment cover
8	Safety key
9	Front wheel (x2)
10	Deck
11	Lever for cutting height adjustment
12	Rear wheel (x2)
13	Deflector guard
14	Lower handlebar (Right)
15	Grass catcher

S/N	Part name
16	Carry handle
17	Wire clip (x2)
18	Control cord
19	Start lever
20	Safety lock-off switch
21	Switch box
22	Full bag indicator
23	Hook (x2)
24	Rear discharge chute
25	Cutting blade
26	Hex bolt
27	Blade holder
28	Hex wrench
29	Washer
30	Charger
31	Battery pack (x2)

ASSEMBLY

UNPACKING

1. Unpack all parts and lay them on a flat, stable surface.
2. Remove all packing materials.
3. Make sure the delivery contents are complete and free of any damage. If you find that parts are missing or show damage do not use the product and contact Customer Service @ 1-866-349-8665. Using an incomplete or damaged product represents a hazard to people and property.
4. Ensure that you have all the accessories and tools needed for assembly and operation. This also includes suitable personal protective equipment.



WARNING: The mower must be fully assembled before operation! Do not use a product that is only partly assembled or assembled with damaged parts!



Follow the assembly instructions step-by-step and use the pictures provided as a visual guide to easily assemble the product!
Do not connect the product to battery power before it is completely assembled!

NOTE: Take care of small parts that are removed during assembly or when making adjustments. Keep them secure to avoid loss.

LOWER HANDLEBAR

1. Align the mounting hole of the lower handlebar (5/14) with the mounting hole of handle support (Fig. 3, step 1).
2. Attach the washer (3a) to the bolt and secure the lower handlebar (5/14) by turning the knob (3) clockwise for tightening (Fig. 3, step 2).
3. Make sure that the control cord (18) aligns on the upper side of the lower handlebar (right) (14).

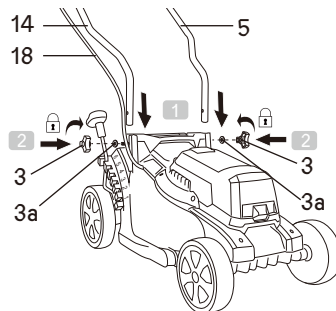


FIG.3

UPPER HANDLEBAR

1. Align the upper handlebar (2) to the lower handlebar (5 / 14) and ensure the switch box (21) is pointed downward when viewed from behind.
2. Pass the bolts (4) through the mounting holes of handles (Fig. 4, step 1).
3. Attach the washer (3a) to the bolt (4) and secure the upper handlebar (2) by turning the knob (3) clockwise for tightening (Fig. 4, step 2).

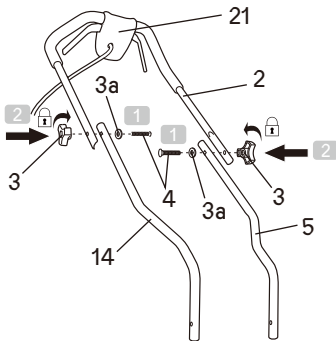


FIG.4

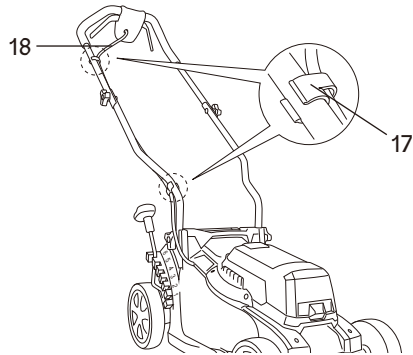


FIG.5

4. Secure the control cord (18) with two wire clips (17) (Fig. 5).

GRASS CATCHER

1. Align and insert the carry handle (16) to the slots of top frame of grass catcher (15) until handle clicks into place (Fig. 6).then use screw to fix handle both sides.
2. The grass catcher is ready for use.

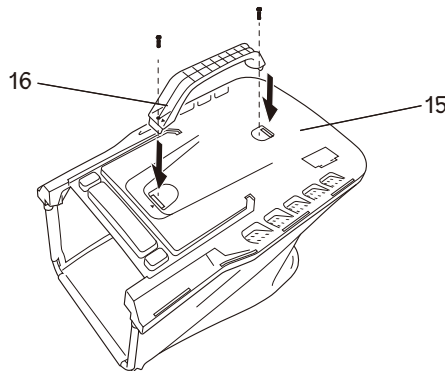


FIG.6



WARNING: Do not attempt to use the mower without the grass catcher attached - danger of flying objects! The motor must be switched off and the blade must have stopped rotating before you remove the grass catcher. The grass catcher must be fully assembled with the top part, bottom part and collection tongue all in position before first use.



3. Open the deflector guard (13), hold it in position (Fig. 7, Step 1); Insert the grass catcher (Fig. 7, step 2).
4. Align and hook the grass catcher into the attachment slots of rear discharge chute (24).

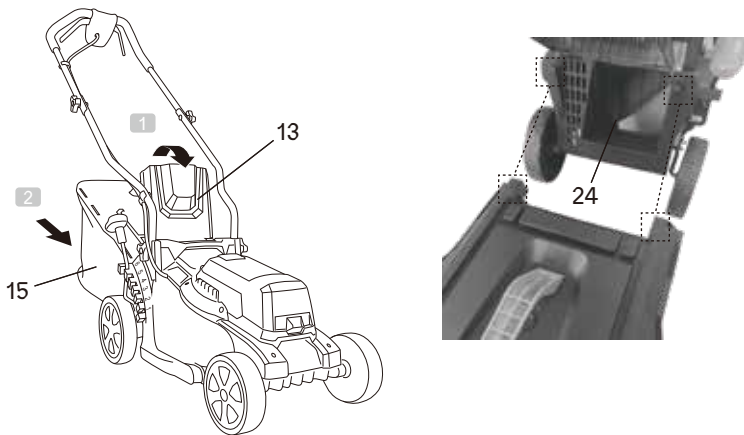


FIG.7

KNOW YOUR BATTERY

CHECKING THE BATTERY CHARGE STATUS

The level of charge remaining in the battery can be checked by using the battery LED power indicator that is contained on the end of the battery.

NOTE: The battery charge remaining may be checked while the battery is installed in the tool with the ON/OFF switch turned OFF. It may also be checked while the battery is removed from the tool. DO NOT check the battery charge remaining while the battery is in the charger.

You will get a false reading and you may also damage the battery status system.

1. Press and hold the battery status button located on the end of the battery
2. One or more of the three LED lights in the LED window will come ON to indicate the amount of charge that is remaining in the battery as follows:

1 light (Red light ON)	2 lights (Red and Orange light ON)	3 lights (Red/Orange/Green ON)
1/3 or less	1/3 - 2/3	2/3-Fully charged



3. Release the battery status button to turn the LED's OFF.

CHARGING THE BATTERY PACK



WARNING: Charge in a safe location away from moisture and heat sources!

1. Place the battery charger (Fig. 8-1) in a dry location near a 110-120V 60 Hz electrical outlet.
2. Plug the battery charger into the outlet and make sure the green LED indicator light (Fig. 8-5) comes ON. If it does not, refer to the chart (Fig. 9) to identify the problem.
3. Turn the battery pack (Fig. 8-2) upside down and slide it onto the charger (Fig. 8-1).

NOTE: Make sure the grooves (Fig. 8-3) in the sides of the battery slide over the matching tabs on the charger (Fig. 8-4) until the battery latch “clicks” into place.

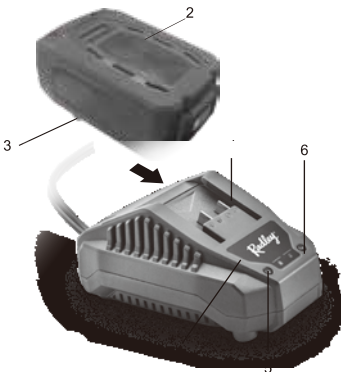


Fig. 8

Green Light	Red Light	Battery Inserted Into Charger	Charging Status
ON	OFF	NO	Charger connected to power supply.
OFF	ON	YES	Battery being charged.
ON	OFF	YES	Battery fully charged.
ON	OFF	YES	Battery is charged but not operational on tool. This may indicate defective / bad contact on battery or charging conditions are either too hot or too cold.

Fig. 9

OPERATION

INSTALLING THE BATTERY PACKS (Fig. 10)

1. Open the battery compartment cover.
2. Unplug the safety key (8).
3. Remove the discharged battery packs by pressing downward on the battery release button and sliding the battery pack backward until it is removed from the battery compartment.
4. Slide the fully charged battery packs onto the matching taps in the battery compartment where the discharged battery packs have been removed.
5. Reinstall the safety key (8).
6. Close the battery compartment cover.

NOTE: Make sure the grooves in the sides of the battery slide over the matching tabs of the battery compartment. The battery release button will “click” into place when the battery is fully installed.



WARNING: Do not immerse the battery pack in water. Sudden cooling could cause a hot battery to explode or leak.

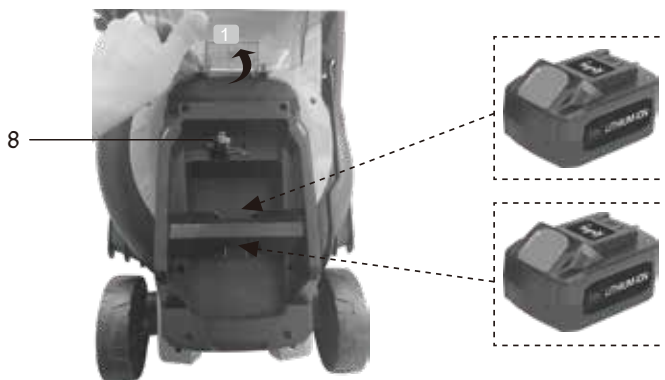


Fig. 10

NOTE: Lawn mower will only operate with both batteries charged and installed.

CUTTING HEIGHT ADJUSTMENT



WARNING: Switch the product off and wait that the cutting blade has come to a complete stop before adjusting the cutting height!

Remove the safety key (8) before adjusting the cutting height!



Adjust the cutting height according to the needs of your lawn. The cutting height depends on the kind of lawn and its actual height. When mowing high grass, start with the maximum cutting height and make a second cut with a lower cutting height.

1. Press the lever (11) towards the rear wheel (12) (Fig. 11, step 1).
2. Move forward or backward to adjust the cutting height (Fig. 11, step 2).
3. Release the lever (11) and ensure it's engaged in the slot properly (Fig. 11, step 3).

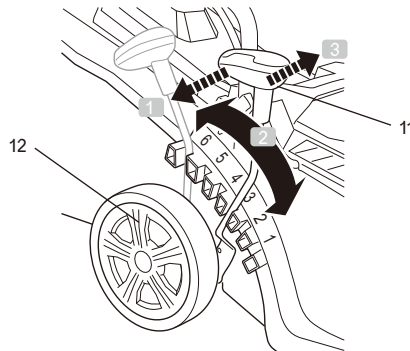


FIG.11



WARNING: Ensure that the lever engages in the slot after each adjustment.

NOTE: There are 6 cutting height levels available. The adjustable heights are 1-1/8" (30mm) to 3-1/8" (80mm).

GRASS CATCHER



WARNING: Do not attempt to use the mower without the grass catcher attached when collecting grass – danger of flying objects!



Switch the motor off and wait that the blade has come to a complete stop before removing the grass catcher!

Attach the grass catcher. Always carry the grass catcher by its carry handle.

INDICATOR

The grass catcher is equipped with a full bag indicator (22) (Fig. 12 & 13) that indicates when the grass catch is full.

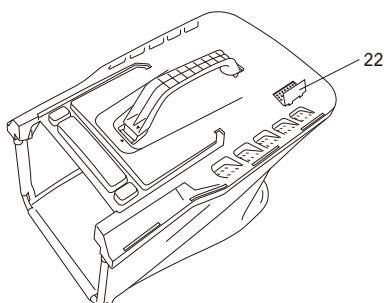


FIG.12

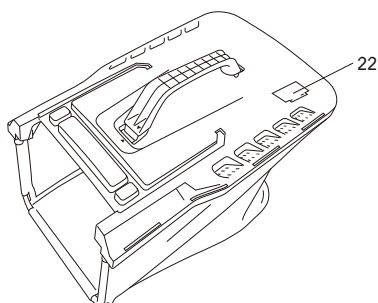


FIG.13

1. When the full bag indicator (22) is opened the grass catcher has sufficient volume left to collect grass (Fig. 12).
2. When the full bag indicator (22) is closed, the grass catcher is full and must be emptied (Fig. 13).

EMPTYING THE GRASS CATCHER

Empty the grass catcher frequently during use. Do not wait until it is completely full. We recommend emptying it when it is half full.

NOTE: A full grass catcher will reduce the performance of this product.

1. Release the start lever ensuring that the motor has stopped and the blade has stopped rotating.
2. Lift the deflector guard and lift the grass catcher off the hooks.
3. Remove the grass clippings from the rear discharge chute into the grass catcher. Use a proper tool such as a brush.
4. Remove the grass catcher by its carry handle.
5. Empty the grass clippings onto a compost heap.
6. Re-fit the grass catcher to the product.



WARNING: Never use your hands or feet to remove grass clippings from the rear discharge chute!

GENERAL OPERATION

1. Check the product, its battery pack and charger as well as accessories for damage before each use. Do not use the product if it is damaged or shows wear.
2. Double check that accessories or cutting blade are properly fixed.
3. Check the battery status. Recharge if necessary.
4. Always push the product by its handle. Keep the handle dry and free from lubricant to ensure full control at all times.

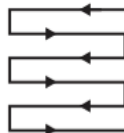
5. Switch the product off immediately if you are disturbed while working by other people entering the working area. Always let the product come to complete stop before leaving it unattended.
6. Do not overwork yourself. Take regular breaks to ensure you can concentrate on the work and have full control over the product.

STARTING/STOPPING

1. Install the battery packs into the battery compartment.
2. Plug the safety key into the slot fully.
3. Stand behind the grip handle.
4. While holding the safety lock-off switch pressed, pull the start lever towards the handle.
5. After the mower starts, release the safety lock-off switch.
6. Release the start lever to stop the mower.

MOWING

1. Make sure that the lawn is clear of stones, sticks, wire or other objects that could damage the product or its product.
2. Do not cut wet grass because it tends to stick to the underbody of the product, preventing the proper discharge of grass clippings, and it could also cause you to slip and fall.
3. Never cut off more than one-third of the total length of the grass for a healthy lawn. In the autumn, lawns should only be cut as long as there is growth.
4. Slowly push the product forward.
5. Mow in slight overlapping rows. The most effective pattern for mowing lawns is straight lines along one of the sides. This will keep the rows even and ensures that all the lawn is cut without missing any spots.
6. Circle around flower beds. When reaching a flower bed in the middle of the lawn, cut a row or two around the circumference of the bed.
7. Pay special attention when changing direction.
8. Empty the grass catcher regularly.



WARNING: If the product strikes a foreign object stop immediately! Let the product cool down and thoroughly inspect the product for damage! Have any damage repaired before restarting!



AFTER USE

1. Switch the product off, disconnect the safety key, remove the battery packs and let them cool down.
2. Check, clean and store the mower as described below.

MAINTENANCE



WARNING: Always switch the product off, remove the battery packs and the safety key and let the product cool down before performing inspection, maintenance and cleaning work!



1. Keep the product clean. Remove debris from it after each use and before storage.
2. Regular and proper cleaning will help ensure safe use and prolong the life of the product.
3. Inspect the product before each use for worn and damaged parts. Do not operate it if you find broken and worn parts.



WARNING: Only perform repairs and maintenance work according to these instructions! All further works must be performed by a qualified specialist!

GENERAL CLEANING

1. Clean the product with a dry cloth. Use a brush for areas that are hard to reach.
2. Remove stubborn dust with high pressure air (max. 40 PSI).

NOTE: Do not use chemical, alkaline, abrasive or other aggressive detergents or disinfectants to clean this product as they might be harmful to its surfaces.

3. Check for any damage and wear. Repair damages in accordance with this instruction manual or take it to an authorised service centre before using the product again.

UNDERBODY AND CUTTING BLADE



WARNING: Wear safety gloves when working on the blade and close to it! Use proper tools to remove debris, e.g. a wooden stick! Never use your bare hands!



Always use original spare parts for replacement. Do not attach any other type of cutting blade! The replacement of the cutting blade should be done by a qualified specialist!

1. Keep the underbody and cutting blade clean and free of debris. Remove clippings from the rear discharge chute.
2. Check all fasteners, such as nuts and bolts, periodically for tightness before operation. After prolonged use, especially in sandy soil conditions, the cutting blade will become worn and lose some of the original shape. The cutting efficiency will be reduced and the cutting blade should be replaced.

3. Keep the cutting blade sharp to ensure a good cutting performance. Replace a worn or damaged cutting blade with a new one of the same type or have it sharpened by a qualified specialist.
4. Loosen the hex bolt counterclockwise using the delivered hex wrench and remove it together with the washer and the cutting blade (Fig.14).
5. Replace the cutting blade with a new one of the same type. Check the status of the flange onto the blade holder, then attach the cutting blade properly, and fix it with the washer and the hex bolt. Tighten the hex bolt clockwise with 33-44 ft lbs to ensure safe operation of your product.



DANGER: If the cutting blade are not torqued properly, they could become loose and be thrown from the product and seriously hurt or kill the operator or bystanders.

Note: Replace this cutting blade after 50 hours mowing or 2 years whichever is sooner regardless of condition. If the cutting blade is cracked or damaged, you must immediately replace it with a new one.

6. Lubricate the cutting blade after each use to prolong the life span of cutting blade and product. Apply light machine oil along the edge of the cutting blade.

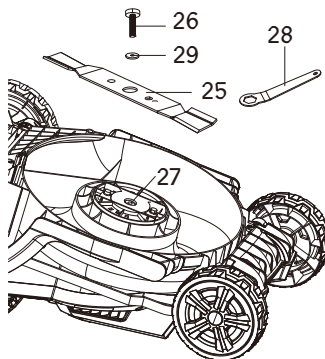


FIG.14

GRASS CATCHER

1. Inspect the grass catcher before each use. Do not use it if you find any damage.
2. Clean the grass catcher after operation using water and mild soap.
3. Let the grass catcher dry thoroughly before storing to avoid mildew.

CONTROL CORD

Check the control cord before each use.



WARNING! Do not use the product with a defective or a loose control cable!

CHARGER

If the power cord of the charger is damaged, it must be replaced by the manufacturer, its service agent or similarly qualified persons in order to avoid a safety hazard.

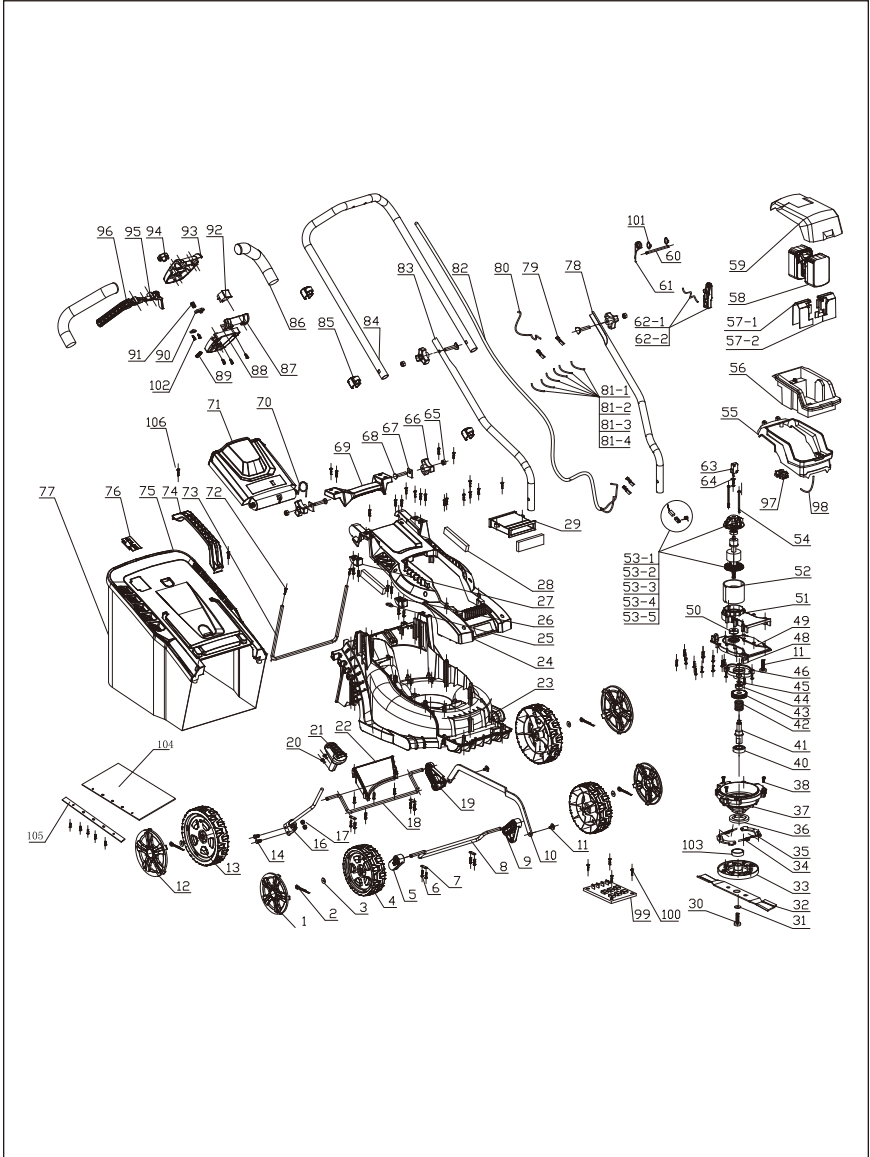
STORAGE

1. Switch the product off and remove the battery pack, safety key.
2. Clean the product as described above.
3. Store the product and its accessories in a dry, frost-free place.
4. Always store the product in a place that is inaccessible to children. The ideal storage temperature for the batteries is between 50°F /10°C and 86°F /30°C.
5. We recommend using the original package for storage or covering the mower with a suitable cloth or enclosure to protect it against dust.

TRANSPORTATION

1. Switch the product off, disconnect the safety key and remove the battery packs before transporting it anywhere.
2. Always transport the product by its transport handle.
3. Protect the product from any heavy impact or strong vibrations which may occur during transportation in vehicles.
4. Secure the product to prevent it from slipping or falling over, damage and injury.

EXPLODED VIEW



PARTS LIST

⚠ WARNING: When servicing, use only original equipment replacement parts. The use of any other parts may create a safety hazard or cause damage to the lawn mower.

Any attempt to repair or replace electrical parts on this lawn mower may create a safety hazard unless repairs are performed by a qualified technician. For more information, call the Toll-free Helpline, at 1-866-349-8665 – Monday to Friday from 9am to 5pm Eastern Standard Time.

Always order by key number.

Key #	Part #	Part Name	Quantity
1	3122530101069001	Front wheel cover	2
2	3322530101138001	Cotter pin	4
3	3322530101030001	Washer	4
4	3122530101031001	Front wheel	2
5	3122530101023001	Axle sleeve 1	1
6	33SBAQA004160101	Screw	38
7	3251100201053001	Axle pressing plate	4
8	3222530101020001	Front axle	1
9	3122530201023001	Axle sleeve 2	1
10	3222530401057001	Height adjustment	1
11	33SJAQA004160101	Screw	3
12	3122530201069001	Rear wheel cover	2
13	3122530201031001	Rear wheel	2
14	33SFQC006120101	Hexagon bolt	2
16	3219510101057001	Heighten handle	1
17	33NDD0060101	Locknut	2
18	3222530201020001	Rear axle shaft	1
19	3122530401023001	Axle sleeve 4	1
20	33SJAQC005080101	Screw	2
21	3155000101094001	Height adjustment	1
22	3122530201053001	Air deflector	1
23	3122530101139001	Chassis	1
24	3122530301069001	Upper cover	1
25	3181000101053001	Pressing plate	2
26	3122530101072001	Left bracket	1
27	3122530201072001	Right bracket	1
28	3122530101131001	Air intake sponge	2
29	3122530101076001	Blow tube	1
30	33SNDDC008350101	Hex flange non-slip bolt	1
31	3352200301030001	Spacer	1
32	3222530201132001	Blade	1

Key #	Part #	Part Name	Quantity
33	3152300101139001	Blade hub	1
34	3222530101060001	Tension spring	2
35	3252300201030001	Brake block	2
36	3252300101030001	Friction plate	1
37	3122530101049001	Gear box housing	1
38	33SBAQA005200101	Screw	3
40	33DB600302011	Bearing	1
41	3222530301020001	Output shaft	1
42	3222530201060001	Torsion spring	1
43	3222530101052001	Gearwheel	1
44	33DB608001011	Bearing	2
45	33CC0120101	Clamp spring	1
46	3122530101053001	Gear box cover plate	1
48	3152300101026001	Wool felt	1
49	3152100101039001	Motor support	1
50	33DB600002011	Bearing	1
51	3152100101053001	Air deflector	1
52	3422910101005001	Stator	1
53-1	3419540101013001	Rotor	1
53-2	3114100101036001	Carbon brush holder	1
53-3	3419960101035001	Carbon brush	2
53-4	3214100101023001	Carbon brush cover	2
53-5	3214100501060001	Torsion spring	2
54	33SBAQA402650101	Bolt	2
55	3119510101049001	Dc-pedestal	1
56	3119510201049001	Dc-illustration base	1
57-1	3119510301049001	Battery pack left bracket	1
57-2	3119510401049001	Battery pack right bracket	1
58	3119510101144001	Battery pack	2
59	3119510101069001	Battery cover	1
60	3222530401020001	Spindle	1
61	3219510101060001	Torsion spring	1
62-1	3122520101056001	Safety key	1
62-2	3122530101127001	Sling	1
63	3422710101032001	Microswitch	1
64	3392000101030001	Washer	1
65	33NAD0080101	Hex nut	4
66	3155000101058001	Knob	4
67	3222530401053001	Dead plate	2
68	3250000201074001	Bolt	4
69	3122530101094001	Grip	1
70	3222530401060001	Torsion spring	1

Key #	Part #	Part Name	Quantity
71	3122530401069001	Rear cover	1
72	33SBAQD004150101	M4*12 combination	2
73	3222530101039001	Catcher rebar	1
74	3122530201094001	Catcher hand shank	1
75	3122530501069001	Catcher cover	1
76	3122530701069001	Louver cover	1
77	3522530101045001	Catcher bag	1
78	3222530201057001	Down left push rod	1
79	36010101	6.3 terminal	4
80	3419510301027001	Connecting line 3	1
81-1	3419510101027001	Connecting line 1	1
81-2	3419510201027001	Connecting line 2	1
81-3	3419510401027001	Connecting line 4	1
81-4	3419510501027001	Connecting line 5	2
82	3419510601027001	Cable	1
83	3222530301057001	Extension rod	1
84	3222530101057001	Upper handle	1
85	3122530101103001	Wire buckle	1
86	3122530501023001	Sponge cover	1
87	3155000501069001	Switch box cover	1
88	3155000601069001	Switch box down cover	1
89	3255000301060001	Spring	1
90	3155000301072001	Block	1
91	3255000301060001	Spring	1
92	3422520101032001	Switch	1
93	3155000701069001	Switch box upper cover	1
94	3155000201058004	Shift knob	1
95	3155000201094001	Left handle	1
96	3155000301094001	Right handle	1
97	3118920101049001	Inserting seat	2
98	3419510701027001	Connecting line6	1
99	3419540101053001	Pcb	1
100	33SBADA003080101	Screw	4
101	33CD0060101E	Jump ring	2
102	33SBAQA004140101	Screw	6
103	3222530101025001	Fastening ring	1
104	3222530501153001	Grass baffle plate	1
105	3222530101150001	Straw baling	1
106	33SBAQA004160101	Screw	2

WARRANTY

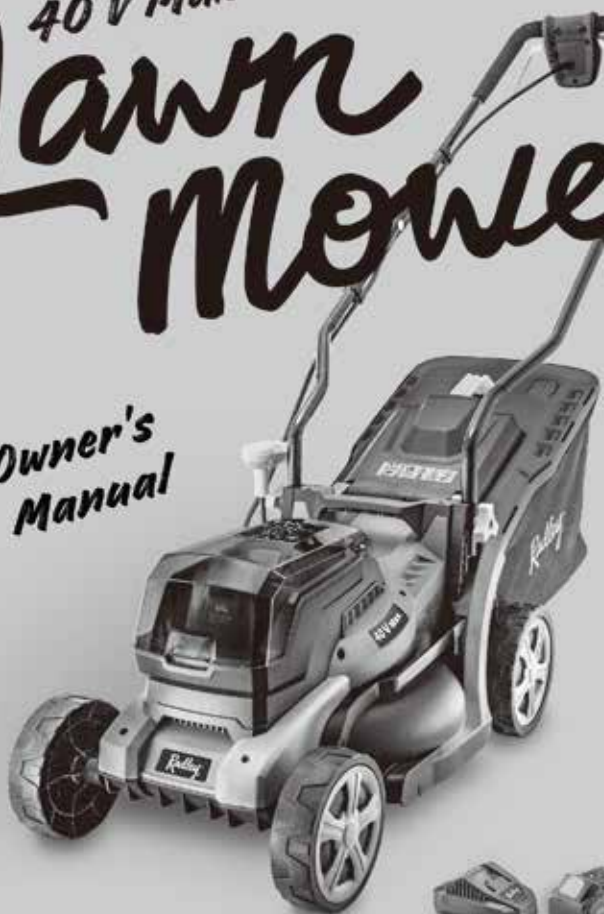
RADLEY 40V MAX* LAWN MOWER WARRANTY

If this Radley tool fails due to a defect in material or workmanship within three years from the date of purchase, return it to any Home Hardware store with the original bill of sale for exchange. Two years for battery and charger. This warranty does not include expendable parts including but not limited to blades, brushes, belts and light bulbs. This warranty covers defects in material or workmanship only. It does not cover normal wear and tear, failure due to abuse/misuse, or defects caused by careless or accidental mishandling. If this Radley product is used for commercial or rental purposes, this warranty does not apply. For use at the consumer level. The warranty is not for industrial or commercial applications.

40V Max*

Lawn Mower

Owner's
Manual



20V + 20V = 40V

5125-017

Radley®



EXCLUSIVE TO HOME HARDWARE

For information on the entire line up of Radley power tools visit homehardware.ca or your local Home Hardware retail store.

MADE IN CHINA / FABRIQUÉ EN CHINE
HOME HARDWARE STORES LIMITED
ST. JACOBS, ONTARIO N0B 2N0
ORDER ONLINE / COMMANDE EN LIGNE
homehardware.ca

© 12 / 2020 Home Hardware Stores Limited

If this Radley tool falls due to a defect in material or workmanship within three years from the date of purchase, return it to any Home Hardware store with the original bill of sale for exchange. Battery and charger is a limited two year warranty.