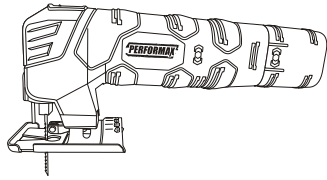




**8 VOLT LITHIUM-ION
COMPACT DETAIL SAW
241-1362**



PRODUCT SPECIFICATIONS	
Speed:	4,500 SPM (no load)
Stroke length:	1/4" (6 mm)
Blade change system:	Hex key 2.5 mm
Blade type:	2-3/16" Plain end blade
Bevel cutting:	0° to 45°
Cutting capacity:	15/32" in softwood @ 90°
Battery:	8 V, 2.0 Ah Lithium-ion
Battery charger:	2 Hour, Class 2
Charger input:	120 V AC, 60 Hz
Charger output:	9.1 V DC, 1.0 A (maximum)
Weight:	1 lb. 8 oz. (0.683 kg) with battery

For questions / comments, technical assistance or repair parts –
Please Call Toll Free at: 1-866-349-8665 (M-F 9am – 5pm EST)
Or email us at: customerservice@powertoolsplus.ca

GENERAL SAFETY WARNINGS

WARNING: Before using this tool or any of its accessories, read this manual and follow all Safety Rules and Operating Instructions. The important precautions, safeguards and instructions appearing in this manual are not meant to cover all possible situations. It must be understood that common sense and caution are factors which cannot be built into the product.

EYE, EAR, LUNG PROTECTION

ALWAYS WEAR EYE PROTECTION THAT CONFORMS WITH CSA REQUIREMENTS or ANSI SAFETY STANDARD Z87.1

FLYING DEBRIS can cause permanent eye damage. Prescription eyeglasses ARE NOT a replacement for proper eye protection.

WARNING: Non-compliant eyewear can cause serious injury if broken during the operation of a power tool.

WEAR A DUST MASK THAT IS DESIGNED TO BE USED WHEN OPERATING A POWER TOOL IN A DUSTY ENVIRONMENT.

WARNING: Dust that is created by power sanding, sawing, grinding, drilling, and other construction activities may contain chemicals that are known to cause cancer, birth defects, or other genetic abnormalities. These chemicals include:

- Lead from lead-based paints
- Crystalline silica from bricks, cement, and other masonry products
- Arsenic and chromium from chemically treated lumber

The level of risk from exposure to these chemicals varies, according to how often this type of work is performed. In order to reduce exposure to these chemicals, work in a well-ventilated area, and use approved safety equipment, such as a dust mask that is specifically designed to filter out microscopic particles.

POWER TOOL SAFETY

WARNING: Read all safety warnings and instructions. Failure to follow the warnings and instructions may result in electric shock, fire and/or serious injury.

Save all warnings and instructions for future reference.

Work area safety
Keep work area clean and well lit. Cluttered or dark areas invite accidents.

Do not operate power tools in explosive atmospheres, such as in the presence of flammable liquids, gases or dust. Power tools create sparks which may ignite the dust or fumes.

Keep children and bystanders away while operating a power tool. Distractions can cause you to lose control.

Electrical safety

Power tool plugs must match the outlet. Never modify the plug in any way.

Do not expose power tools to rain or wet conditions. Water entering a power tool will increase the risk of electric shock.

Personal safety

Stay alert, watch what you are doing and use common sense when operating a power tool. Do not use a power tool while you are tired or under the influence of drugs, alcohol or medication. A moment of inattention while operating power tools may result in serious personal injury.

Use personal protective equipment. Always wear eye protection.

Prevent unintentional starting. Ensure the switch is in the off-position before installing the battery pack, picking up or carrying the tool. Carrying power tools with your finger on the switch or energising power tools that have the switch on invites accidents.

Do not overreach. Keep proper footing and balance at all times. This enables better control of the power tool in unexpected situations.

Dress properly. Do not wear loose clothing or jewelry. Keep your hair, clothing and gloves away from moving parts. Loose clothes, jewelry or long hair can be caught in moving parts.

Power tool use and care

Do not force the power tool. Use the correct power tool for your application. The correct power tool will do the job better and safer at the rate for which it was designed.

Do not use the power tool if the switch does not turn it on and off. Any power tool that cannot be controlled with the switch is dangerous and must be repaired.

Remove the battery pack from the power tool before making any adjustments, changing accessories, or storing power tools. Such preventive safety measures reduce the risk of starting the power tool accidentally.

Store idle power tools out of the reach of children and do not allow persons unfamiliar with the power tool or these instructions to operate the power tool. Power tools are dangerous in the hands of untrained users.

Maintain power tools. Check for misalignment or binding of moving parts, breakage of parts and any other condition that may affect the power tool's operation. If damaged, have the power tool repaired before use. Many accidents are caused by poorly maintained power tools.

Hold power tool by insulated gripping surfaces, when performing an operation where the fastener may contact hidden wiring or its own cord. Fasteners contacting a "live" wire may make exposed metal parts of the power tool "live" and could give the operator an electric shock.

Battery tool use and care

Recharge only with the charger specified by the manufacturer. A charger that is suitable for one type of battery pack may create a risk of fire when used with another battery pack.

Use power tools only with specifically designated battery packs. Use of any other battery packs may create a risk of injury and fire.

When battery pack is not in use, keep it away from other metal objects, like paper clips, coins, keys, nails, screws or other small metal objects that can make a connection from one terminal to another. Shorting the battery terminals together may cause burns or a fire.

Under abusive conditions, liquid may be ejected from the battery; avoid contact. If contact accidentally occurs, flush with water. If liquid contacts eyes, additionally seek medical help. Liquid ejected from the battery may cause irritation or burns.

Service

Have your power tool serviced by a qualified repair person using only identical replacement parts. This will ensure that the safety of the power tool is maintained.

SPECIFIC SAFETY RULES

WARNING: This tool is NOT a toy. Do not allow young children to operate the tool, as misuse can result in serious injury.

WARNING: Know your detail saw. Do not plug in the battery charger until you have read and understand this Instruction Manual. Learn the tool's applications and limitations, as well as the specific potential hazards related to this tool. Following this rule will reduce the risk of electric shock, fire, or serious injury.



Always wear eye protection. Any power tool can throw foreign objects into your eyes and cause permanent eye damage. ALWAYS wear safety goggles (not glasses) that comply with ANSI safety standard Z87.1. Everyday glasses have only impact resistant lenses. They ARE NOT safety glasses.

WARNING: Glasses or goggles not in compliance with ANSI Z87.1 could cause serious injury when they break.

Always wear safety goggles, hearing protection and a dust mask. Use only in well-ventilated areas. Using personal safety devices and working in a safe environment reduces the risk of injury.

WARNING: Never cut metals such as steel, copper or brass. These materials are too hard and will break the blade and possibly cause injury to the operator.

WARNING: Never attempt to plunge cut with this tool. The fine blades will likely break and possibly cause injury to the operator.

Hold the tool by insulated gripping surfaces when performing an operation where the saw blade may contact hidden wiring or its own cord. Contact with a "live" wire will make exposed metal parts of the tool "live" and shock the operator.

Always make sure the work surface is free of nails and other foreign objects. Cutting into a nail can cause the blade and the tool to jump and damage the blade.

Never hold the workpiece in one hand and the tool in the other hand when sawing.

Never place your hands near or below the cutting surface. Clamping the material and guiding the tool with both hands is much safer.

Never lay the workpiece on hard surfaces like concrete, stone, etc. The protruding blade may cause the tool to jump.

DANGER: Always remove the battery when changing the blade and when making adjustments.

Use only compact detail saw blades that are designed specifically for compact detail saw use. Never use a broken blade, as it will not be securely held in the tool.

After changing a blade, make sure the blade is securely held in the blade holder. Loose blades will be violently thrown.

Never touch the blade during or immediately after use. After use, the blade is too hot to be touched by bare hands.

Never use dull or damaged blades. Sharp blades must be handled with care. Damaged blades can snap during use. Dull blades require more force to cut the workpiece, possibly causing the blade to break.

BATTERY & CHARGER SAFETY

WARNING: If the lithium-ion battery no longer charges properly or is damaged, the battery must not be discarded as household trash, burnt or thrown into water. The battery must be disposed of as hazardous waste in accordance with all municipal requirements.

Do not incinerate a discarded battery. It can explode in a fire.

Charge the battery only with the 8V Li-ion charger supplied for this 8V Li-ion detail saw.

Do not use the 8V Li-ion charger to charge any batteries other than the 8V Li-ion battery supplied for this 8V Li-ion detail saw. Other batteries may explode.

Do not use the charger in wet or damp conditions. It is intended for indoor use only. Do not use the charger near sinks or bathtubs. Do not immerse the charger in water.

Do not allow the cord to hang over the edge of a table or counter or touch hot surfaces. The charger should be placed away from sinks and hot surfaces.

Do not operate the charger if the cord or plug is damaged. Replace the damaged cord and plug immediately.

Do not operate the charger if it has received a sharp impact, been dropped or otherwise damaged in any way. Have a qualified technician examine the charger and repair it if necessary. Do not disassemble the charger.

For best results, charge the battery when the temperature of the battery and the work area is at or above 0° C (32° F) and below 45° C (113° F).

Unplug the charger when not in use and before cleaning or maintenance.

CHARGING THE BATTERY

WARNING: Use only the specified 8V Li-ion charger and 8V Li-ion battery with this tool. Using any other charger or battery may damage the charger or the battery, and possibly cause serious injury.

1. To charge the battery, place the charger (1) in a dry location near a 120 V AC, 60 Hz electrical outlet (Fig. 1).

2. Plug the battery charger into the 120 V AC, 60 Hz wall receptacle. The green LED (4) will turn ON.

3. Place the battery stem (2) into the matching cavity (3) in the top of the charging base. **NOTES:**
a) Make sure the battery is pressed fully onto the charging base as far as it will go.
b) Do NOT charge batteries when the work area or the battery temperature is at or below 0° C (32° F) or above 45° C (113° F).

When the battery charger is plugged into a "live" receptacle, the battery charger will begin charging the battery. The red LED (5) will turn ON indicating the battery is being charged. When the battery is fully charged, the red LED will turn OFF and the green LED will turn ON. **NOTE:** A completely discharged battery will take approximately 2 hours to become fully charged.

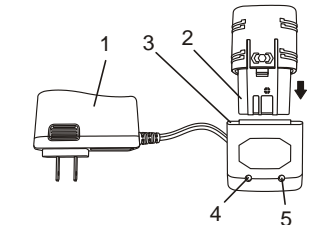


Fig. 1

INSTALLING A BATTERY IN THE TOOL

1. Remove the discharged battery (1) from the tool (2) by pressing on the battery release buttons (3) on the sides of the battery (Fig. 2).

2. Pull the battery out of the tool handle.

3. Slide the fully charged battery into the matching cavity in the tool handle where the discharged battery has been removed.

4. Insert the fully charged battery into the tool handle. The battery release button will "click" into place when the battery is fully installed. **NOTE:** The battery can only be inserted into the handle one way. If it will not slide into the handle, rotate the battery 180°.

WARNING: Do not immerse the battery pack in water. Sudden cooling could cause the hot battery to explode or leak.

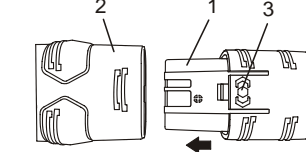


Fig. 2

INSTALLING A BLADE

WARNING: Always remove the battery from the tool before installing or removing a blade or adjusting the detail saw in any way.

1. To install a blade in the compact detail saw, loosen the blade holder set screw (1) by turning it counter clockwise approximately one full turn (Fig. 3).

NOTE: Use the 2.5mm hex key (2) that is supplied with the tool.

2. Insert the appropriate blade (3) into the blade holder slot (4) as far as it will go.

NOTE: Make sure the rear edge of the blade is nested in the blade guide roller (5).

3. Firmly tighten the blade holder set screw until the blade is firmly clamped in the blade holder.

REMOVING A BLADE
To remove a blade, simply loosen the blade holder set screw and remove the blade from the blade holder.

NOTE: Let the blade cool down before attempting to remove it. The blade will get very hot during cutting.

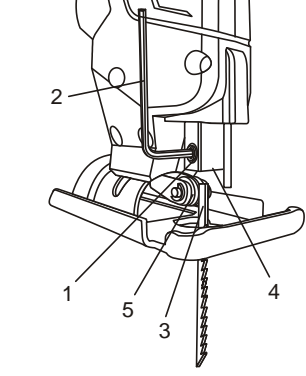


Fig. 3

SETTING THE BEVEL CUTTING ANGLE

Bevel cutting angles may be adjusted from 0° to 45° either left or right. To adjust the bevel angle:

1. Loosen the base pivot screw (1) until the base (2) can be slid forward (Fig. 4). **NOTE:** Use (3mm) hex key supplied with the tool.

2. Bevel angles (3) are marked on a scale located on the rear of the base (4) (Fig. 5).

3. Slide the base toward the front of the detail saw and align the bevel angle index mark (5) with the desired bevel angle on the base.

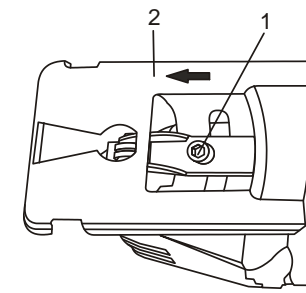


Fig. 4

2. Bevel angles (3) are marked on a scale located on the rear of the base (4) (Fig. 5).

3. Slide the base toward the front of the detail saw and align the bevel angle index mark (5) with the desired bevel angle on the base.

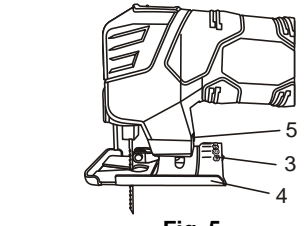


Fig. 5

NOTE: Use a protractor to check the bevel angle between the blade and the base.

4. Once the desired bevel angle is obtained, lock the base by tightening the base pivot screw.

5. Make a test cut in a scrap piece of material and measure the bevel angle. Adjust the bevel angle if necessary.

ON/OFF SWITCH

To turn the saw ON, press the front of the ON/OFF switch (1) (Fig. 6). To turn the saw OFF, press the rear of the ON/OFF switch (2).

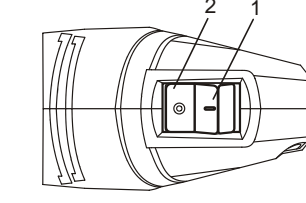


Fig. 6

MATERIALS YOU CAN CUT

This detail saw is a versatile tool that allows you to cut many different types of materials. Some of these materials include:

- Wood products such as plywood, composite board, laminate and panelling
- Drywall
- Styrofoam
- compact Fibre board and plastic

WARNING: For safety reasons, the operator must read the sections of this Owner's Manual entitled "GENERAL SAFETY WARNINGS", "POWER TOOL SAFETY", "SPECIFIC SAFETY RULES", and "BATTERY AND CHARGER SAFETY" before using this compact detail saw.

Every time you use the compact detail saw you should verify the following:

1. The blade is sharp and in good condition.
2. The blade is firmly clamped into the blade holder.
3. The workpiece is properly secured.
4. Safety glasses, hearing and breathing protection are being worn.

Failure to adhere to these safety rules can greatly increase the chances of injury.

GENERAL CUTTING

1. Clearly mark the workpiece to locate the position of the cut.
2. Hold smaller workpieces with a vise. Clamp larger workpieces to a workbench or table.

DANGER: Any workpiece that is not adequately clamped in place may come loose and cause serious injury. Never hold the workpiece with your hand.

WARNING: Keep your hands and fingers away from between the motor housing and the blade holder. Do not reach underneath the workpiece while the detail saw is running.

3. Rest the front of the detail saw base plate (1) on the workpiece and align cutting edge of the blade with the cutting line (2) on your workpiece (Fig. 7).

4. While firmly gripping the compact detail saw, and with the blade NOT in contact with the surface to be cut, start the compact detail saw by turning the ON/OFF switch ON.

5. Once the compact detail saw has reached its full speed, gradually bring the moving blade into contact with the workpiece at the appropriate location. **NOTE:** Apply enough downward pressure to keep the detail saw steady and only enough forward pressure to keep the blade cutting freely.

CAUTION: Do not force the compact detail saw. Use only enough force to keep the blade cutting. Do not put sideways pressure on the blade. Excessive or sideways pressure on the blade will cause it to bend and twist, which may result in breaking the blade.

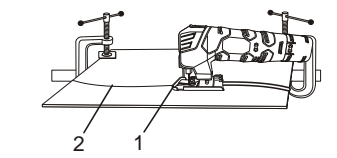


Fig. 7

BEVEL CUTTING

Bevel cutting angles may be adjusted from 0° to 45° either left or right. To set the bevel angle, refer to Fig. 4 & 5.

Once the cutting angle has been verified, proceed with the cutting activity as outlined in "GENERAL CUTTING" above.

NOTE: See the reverse side of this page for:

- Maintenance
- Parts explosion drawing
- Parts listing
- Warranty

MAINTENANCE

GENERAL

DO NOT use solvents when cleaning plastic parts. Plastics are susceptible to damage from various types of commercial solvents and may be damaged by their use. Use a clean cloth to remove dirt, dust, oil, grease etc.

▲ WARNING: Do not allow brake fluids, gasoline, petroleum-based products, penetrating oils, etc. to come into contact with plastic parts. They contain chemicals that can damage, weaken or destroy plastic.

▲ WARNING: When cleaning the tool with compressed air, always wear safety goggles. Flying debris can cause serious eye damage.

DO NOT abuse power tools. Abusive practices can damage the tool and the workpiece.

▲ WARNING: DO NOT attempt to modify tools or create accessories. Any such alteration or modification is misuse and could result in a hazardous condition leading to possible serious injury. It will also void the warranty.

LITHIUM-ION BATTERY MAINTENANCE

Lithium-ion batteries do not have a "memory" and do not require to be completely discharged periodically. It is recommended that you charge your Lithium-ion batteries after each use so they will be fully charged when needed.

NOTE: A fully charged battery will lose about 2% of its charge per month during storage.

BATTERY PACK REMOVAL AND PREPARATION FOR RECYCLING

To preserve our natural resources, please recycle or dispose of batteries properly.

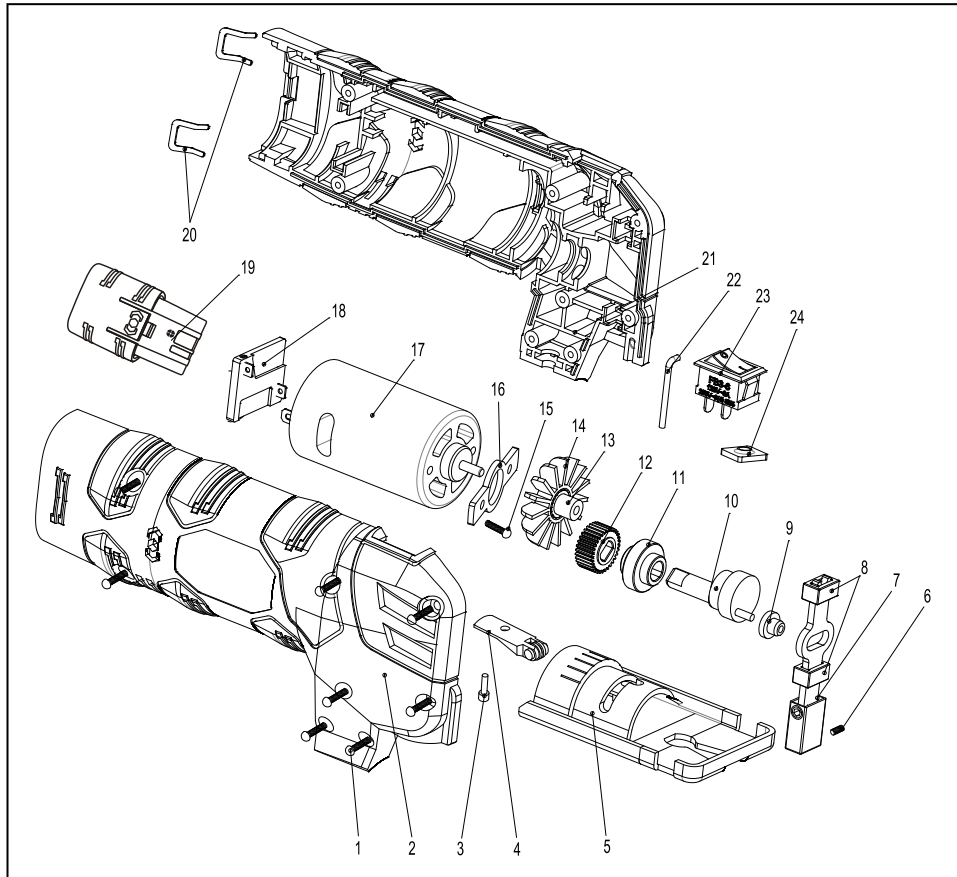
The batteries supplied with this tool may contain chemicals and metals that are harmful to the environment. Never dispose of rechargeable batteries in your normal household garbage or in landfill sites because they will add to the pollution of the environment.

Consult your local waste authority for information regarding available recycling and disposal options.

▲ WARNING: Upon removal of the battery pack, cover the terminals of the battery pack with electrical tape or heavy-duty adhesive tape. Never touch both terminals with metal objects or body parts, because a short circuit may result. Keep away from children. Do not attempt to destroy or disassemble battery pack or remove any of its components.

Rechargeable batteries must be recycled or disposed of properly. Failure to comply with these warnings could result in fire and serious injury.

EXPLODED VIEW



PARTS LIST

▲ WARNING: When servicing, use only original equipment replacement parts. The use of any other parts may create a safety hazard or cause damage to the tool.

Any attempt to repair or replace electrical parts on this tool may create a safety hazard unless repairs are performed by a qualified technician. For more information, call the Toll-free Helpline, at 1-866-349-8665.

Always order by PART NUMBER, not by key number.

Key #	Part #	Part Name	Quantity
1	4030010248	ST2.9*14 Screw	8
2	3010060012	Right hand housing	1
3	4020080002	M4*12 Screw	1
4	1170020036	Eccentric lever	1
5	2030010064	Base plate	1
6	4020150010	Screw	1
7	1150010045	Reciprocating rod assembly	1
8	2010150057	Reciprocating rod support bushings	2
9	2010210025	Reciprocating rod roller bearing	1
10	1170040079	Eccentric shaft assembly	1
11	2010080137	Bearing	1
12	2010010142	Large gear	1
13	2010010125	Motor pinion gear	1
14	3150010110	Cooling fan	2
15	4020010027	Screw	1
16	2030220006	Flange	1
17	1039040011	Motor	1
18	1180060032	Battery contacts plate	1
19	1290030002	Battery pack assembly	1
20	2030090032	Edge clamps	2
21	3010060012	Left hand housing	1
22	2050080197	Hitching wire	1
23	1061150016	Switch assembly	1
24	2030240007	Square nut	1

PERFORMAX® COMPACT DETAIL SAW WARRANTY

30-DAY MONEY BACK GUARANTEE:

This PERFORMAX® brand power tool carries our 30-Day Money Back Guarantee. If you are not completely satisfied with your PERFORMAX® brand power tool for any reason within thirty (30) days from the date of purchase, return the tool with your original receipt to any MENARDS® retail store, and we will provide you a refund – no questions asked.

2-YEAR LIMITED WARRANTY:

This PERFORMAX® brand power tool carries a 2-Year Limited Warranty to the original purchaser. If, during normal use, this PERFORMAX® power tool breaks or fails due to a defect in material or workmanship within two (2) years from the date of original purchase, simply bring this tool with the original sales receipt back to your nearest MENARDS® retail store. At its discretion, PERFORMAX® agrees to have the tool or any defective part(s) repaired or replaced with the same or similar PERFORMAX® product or part free of charge, within the stated warranty period, when returned by the original purchaser with original sales receipt. Notwithstanding the foregoing, this limited warranty does not cover any damage that has resulted from abuse or misuse of the Merchandise. This warranty: (1) excludes expendable parts including but not limited to blades, brushes, belts, bits, light bulbs, and/or batteries; (2) shall be void if this tool is used for commercial and/or rental purposes; and (3) does not cover any losses, injuries to persons/property or costs. This warranty does give you specific legal rights and you may have other rights, which vary from state to state. Be careful, tools are dangerous if improperly used or maintained. Seller's employees are not qualified to advise you on the use of this Merchandise. Any oral representation(s) made will not be binding on seller or its employees. The rights under this limited warranty are to the original purchaser of the Merchandise and may not be transferred to any subsequent owner. This limited warranty is in lieu of all warranties, expressed or implied including warranties or merchantability and fitness for a particular purpose. Seller shall not be liable for any special, incidental, or consequential damages. The sole exclusive remedy against the seller will be for the replacement of any defects as provided herein, as long as the seller is willing or able to replace this product or is willing to refund the purchase price as provided above. For insurance purposes, seller is not allowed to demonstrate any of these power tools for you.

For questions / comments, technical assistance or repair parts –
Please Call Toll Free at: 1-866-349-8665 (M-F 9am – 5pm)
Or email us at: customerservice@powertoolsplus.ca

SAVE YOUR RECEIPTS. THIS WARRANTY IS VOID WITHOUT THEM.

Distributed by: Menard, Inc., Eau Claire, WI 54703



This symbol designates that this tool is listed with Canadian and U.S. requirements by ETL Testing Laboratories, Inc. Conforms to UL STD. 60745-1, 60745-2-11. Certified to CAD/CSA C22.2 No. 60745-1, 60745-2-11.