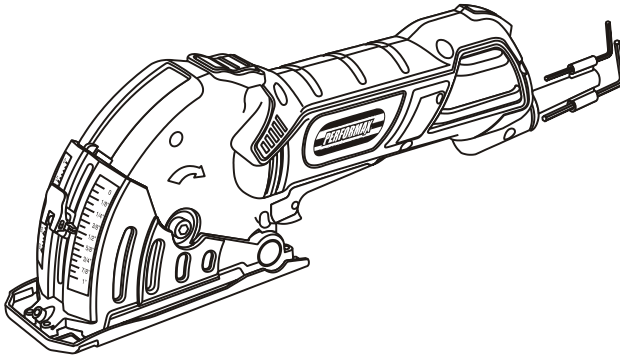




3-3/8" MULTI-CUT SAW

241-0950

Owner's Manual



PRODUCT SPECIFICATIONS

Rating:	120 V, 60 Hz, AC
Amperes:	4.8 Amperes
Speed:	4,000 RPM (no load)
Blade diameter:	3 ³ / ₈ " (85 mm)
Arbor:	15 mm
Depth of cut:	0-1" (0-26 mm)

Need Assistance?

Call us on our toll free customer support line:

1-866-349-8665

- Technical questions
- Replacement parts
- Parts missing from package

TABLE OF CONTENTS

Product specifications	1
Table of contents	2
General safety warnings	3-4
Eye, ear & lung protection	3-4
Electrical safety	4
Power tool safety	5-6
General warning	5
Work area	5
Electrical safety	5
Personal safety	5
Power tools use and care	6
Service	6
Specific safety rules	7-9
Causes and operator prevention of kickback	7-8
Additional specific safety rules	8-9
Extension cord safety	10
Symbols	11
Know your multi-cut saw	12
Contents	13
Assembly and operating	14-20
Removing the blade	14
Selecting the correct blade	14
Installing a blade	15
Adjusting the cutting depth	15
Installing the edge guide	15-16
Installing the vacuum hose	16
ON/OFF switch	16-17
Cutting (without the edge guide)	17-18
Cutting (with the edge guide)	18
Maintenance	19-20
Replacing carbon motor brushes	19
General maintenance	20
Lubrication	20
Exploded view	21
Parts list	22-23
Warranty	24

GENERAL SAFETY WARNINGS

⚠ WARNING: Before using this tool or any of its accessories, read this manual and follow all Safety Rules and Operating Instructions. The important precautions, safeguards and instructions appearing in this manual are not meant to cover all possible situations. It must be understood that common sense and caution are factors which cannot be built into the product.

This instruction manual includes the following:

- General Safety Rules
- Specific Safety Rules and Symbols
- Functional Description
- Assembly
- Operation
- Maintenance
- Accessories

EYE, EAR & LUNG PROTECTION



ALWAYS WEAR EYE PROTECTION THAT CONFORMS WITH CSA REQUIREMENTS or ANSI SAFETY STANDARD Z87.1

FLYING DEBRIS can cause permanent eye damage. Prescription eyeglasses ARE NOT a replacement for proper eye protection.



WARNING: Non-compliant eyewear can cause serious injury if broken during the operation of a power tool.



WARNING: Use hearing protection, particularly during extended periods of operation of the tool, or if the operation is noisy.

GENERAL SAFETY WARNINGS



WEAR A DUST MASK THAT IS DESIGNED TO BE USED WHEN OPERATING A POWER TOOL IN A DUSTY ENVIRONMENT.



WARNING: Dust that is created by power sanding, sawing, grinding, drilling, and other construction activities may contain chemicals that are known to cause cancer, birth defects, or other genetic abnormalities. These chemicals include:

Lead from lead-based paints

Crystalline silica from bricks, cement, and other masonry products

Arsenic and chromium from chemically treated lumber

The level of risk from exposure to these chemicals varies, according to how often this type of work is performed. In order to reduce exposure to these chemicals, work in a well-ventilated area, and use approved safety equipment, such as a dust mask that is specifically designed to filter out microscopic particles.

ELECTRICAL SAFETY



WARNING: To avoid electrical hazards, fire hazards or damage to the tool, use proper circuit protection.

This tool is wired at the factory for 120V AC operation. It must be connected to a 120V AC, 15 AMP circuit that is protected by a time-delayed fuse or circuit breaker. To avoid shock or fire, replace power cord immediately if it is worn, cut or damaged in any way.

POWER TOOL SAFETY

▲ WARNING: Read all safety warnings and instructions. Failure to follow the warnings and instructions may result in electric shock, fire and/or serious injury.

Save all warnings and instructions for future reference.

Work area safety

Keep work area clean and well lit. Cluttered or dark areas invite accidents.

Do not operate power tools in explosive atmospheres, such as in the presence of flammable liquids, gases or dust. Power tools create sparks which may ignite the dust or fumes.

Keep children and bystanders away while operating a power tool. Distractions can cause you to lose control.

Electrical safety

Power tool plugs must match the outlet. Never modify the plug in any way. Do not use any adapter plugs with earthed (grounded) power tools. Unmodified plugs and matching outlets will reduce risk of electric shock.

Avoid body contact with earthed or grounded surfaces such as pipes, radiators, ranges and refrigerators. There is an increased risk of electric shock if your body is earthed or grounded.

Do not expose power tools to rain or wet conditions. Water entering a power tool will increase the risk of electric shock.

Do not abuse the cord. Never use the cord for carrying, pulling or unplugging the power tool. Keep cord away from heat, oil, sharp edges or moving parts. Damaged or entangled cords increase the risk of electric shock.

When operating a power tool outdoors, use an extension cord suitable for outdoor use. Use of a cord suitable for outdoor use reduces the risk of electric shock.

If operating a power tool in a damp location is unavoidable, use a residual current device (RCD) protected supply. Use of a ground fault circuit interrupter (GFCI) reduces the risk of electric shock.

Personal safety

Stay alert, watch what you are doing and use common sense when operating a power tool. Do not use a power tool while you are tired or under the influence of drugs, alcohol or medication. A moment of inattention while operating power tools may result in serious personal injury.

Use personal protective equipment. Always wear eye protection. Protective equipment such as dust mask, non-skid safety shoes, hard hat, or hearing protection used for appropriate conditions will reduce personal injuries.

Prevent unintentional starting. Ensure the switch is in the off-position before connecting to power source and/or battery pack, picking up or carrying the tool. Carrying power tools with your finger on the switch or energizing power tools that have the switch on invites accidents.

Remove any adjusting key or wrench before turning the power tool on. A wrench or a key left attached to a rotating part of the power tool may result in personal injury.

Do not overreach. Keep proper footing and balance at all times. This enables better control of the power tool in unexpected situations.

Dress properly. Do not wear loose clothing or jewelry. Keep your hair, clothing and gloves away from moving parts. Loose clothes, jewelry or long hair can be caught in moving parts.

If devices are provided for the connection of dust extraction and collection facilities, ensure these are connected and properly used. Use of dust collection can reduce dust-related hazards

POWER TOOL SAFETY

Power tool use and care

Do not force the power tool. Use the correct power tool for your application. The correct power tool will do the job better and safer at the rate for which it was designed.

Do not use the power tool if the switch does not turn it on and off. Any power tool that cannot be controlled with the switch is dangerous and must be repaired.

Disconnect the plug from the power source and/or the battery pack from the power tool before making any adjustments, changing accessories, or storing power tools. Such preventive safety measures reduce the risk of starting the power tool accidentally.

Store idle power tools out of the reach of children and do not allow persons unfamiliar with the power tool or these instructions to operate the power tool. Power tools are dangerous in the hands of untrained users.

Maintain power tools. Check for misalignment or binding of moving parts, breakage of parts and any other condition that may affect the power tool's operation. If damaged, have the power tool repaired before use. Many accidents are caused by poorly maintained power tools.

Keep cutting tools sharp and clean. Properly maintained cutting tools with sharp cutting edges are less likely to bind and are easier to control.

Use the power tool, accessories and tool bits etc. in accordance with these instructions, taking into account the working conditions and the work to be performed. Use of the power tool for operations different from those intended could result in a hazardous situation.

Hold power tool by insulated gripping surfaces when performing an operation where the cutting tool may contact hidden wiring or its own cord. Contact with a "live" wire will make exposed metal parts of the tool "live" and shock the operator.

Use clamps or another practical way to secure and support the workpiece to a stable platform. Holding the work by hand or against your body leaves it unstable and may lead to loss of control.

Service

Have your power tool serviced by a qualified repair person using only identical replacement parts. This will ensure that the safety of the power tool is maintained.

SAVE THESE INSTRUCTIONS FOR REFERENCE

SPECIFIC SAFETY RULES

⚠ WARNING: Know your multi-cut saw. Do not plug the tool into the power source until you have read and understand this Instruction Manual. Learn the tool's applications and limitations, as well as the specific potential hazards related to this tool. Following this rule will reduce the risk of electric shock, fire, or serious injury.



Always wear eye protection. Any power tool can throw foreign objects into your eyes and cause permanent eye damage.

ALWAYS wear safety goggles (not glasses) that comply with ANSI safety standard Z87.1. Everyday glasses have only impact resistant lenses. They ARE NOT safety glasses.

⚠ WARNING: Glasses or goggles not in compliance with ANSI Z87.1 could cause serious injury when they break.

Always keep hands out of the path of the saw blade. Avoid awkward hand positions where a sudden slip could cause your hand to move into the path of the saw blade.

⚠ DANGER: Keep hands away from cutting area and the blade. Keep your second hand on the tool. If both hands are holding the saw, they cannot be cut by the blade.

Do not reach underneath the workpiece. The guard cannot protect you from the blade below the workpiece.

Adjust the cutting depth according to the thickness of the workpiece. Less than a full tooth of the blade teeth should be visible below the workpiece or approximately 1/8" (3 mm).

Never hold piece being cut in your hands or across your leg. Secure the workpiece to a stable platform. It is important to support the work properly to minimize body exposure, blade binding, or loss of control.

Hold power tool by insulated gripping surfaces when performing an operation where the cutting tool may contact hidden wiring or its own cord. Contact with a "live" wire will also make exposed metal parts of the power tool "live" and shock the operator.

When ripping always use a straight edge guide. This improves the accuracy of cut and reduces the chance of the blade binding.

Always use blades with correct size and shape (diamond versus round) of arbor holes. Blades that do not match the mounting hardware of the saw will run eccentrically, causing loss of control.

Never use damaged or incorrect blade washers or bolt. The blade washers and bolt were specially designed for your saw, for optimum performance and safety of operation.

CAUSES AND OPERATOR PREVENTION OF KICKBACK

Kickback is a sudden reaction to a pinched, bound or misaligned saw blade, causing an uncontrolled saw to lift up and out of the workpiece toward the operator;

When the blade is pinched or bound tightly by the kerf closing down, the blade stalls and the motor reaction drives the unit rapidly back toward the operator.

If the blade becomes twisted or misaligned in the cut, the teeth at the back edge of the blade can dig into the top surface of the wood causing the blade to climb out of the kerf and jump back toward the operator.

Kickback is the result of saw misuse and/or incorrect operating procedures or conditions and can be avoided by taking proper precautions as given below:

Maintain a firm grip with both hands on the saw and position your arms to resist kickback forces. Position your body to the left or right side of the blade, but not in line with the blade. Kickback could cause the saw to jump backwards, but kickback forces can be controlled by the operator, if proper precautions are taken.

SPECIFIC SAFETY RULES

CAUSES AND OPERATOR PREVENTION OF KICKBACK – cont'd

When the blade is binding, or when interrupting a cut for any reason, release the trigger and hold the saw motionless in the material until the blade comes to a complete stop. Never attempt to remove the saw from the work or pull the saw backward while the blade is in motion or kickback may occur. Investigate and take corrective actions to eliminate the cause of blade binding.

When restarting a saw in the workpiece, center the saw blade in the kerf and check that saw teeth are not engaged into the material. If the saw blades are binding, it may walk up or kickback from the workpiece as the saw is restarted.

Support large panels to minimize the risk of blade pinching and kickback. Large panels tend to sag under their own weight. Supports must be placed under the panel on both sides, near the line of cut and near the edge of the panel.

Do not use dull or damaged blades. Unsharpened or improperly set blades produce narrow kerf causing excessive friction, blade binding and kickback.

ADDITIONAL SPECIFIC SAFETY RULES

Use extra caution when making a "plunge cut" into existing walls or other blind areas. The protruding blade may cut objects that can cause kickback.

Check the lower guard for proper closing before each use. Do not operate the saw if the lower guard does not move freely and close instantly. Never clamp or tie the lower guard into the open position. If the saw is accidentally dropped, the lower guard may be damaged. Raise the lower guard with the retracting handle and make sure it moves freely and does not touch the blade or any other part in all depths of cuts.

Check the operation of the lower guard spring. If the guard and the spring are not operating properly, they must be serviced before use. The lower guard may operate sluggishly due to damaged parts, gummy deposits, or a build-up of debris.

The lower guard should be retracted manually only for special cuts such as "plunge cuts" and "compound cuts". Raise lower guard by retracting handle and as soon as the blade enters the material, the lower guard must be released. For all other sawing, the lower guard should operate automatically.

Always observe that the lower guard is covering the blade before placing saw down on the bench or on the floor. An unprotected, coasting blade will cause the saw to walk backwards, cutting whatever is in its path. Be aware of the time it takes for the blade to stop after the switch is released.

Never operate the saw while it is being carried to another location. The blade guard may be open and potentially cause serious injury.

If the switch fails to turn the saw ON or OFF properly, stop using it immediately and have the saw switch repaired.

Always allow the saw to reach full speed before beginning the cut.

Never use the side of the blade for cutting. When making horizontal cuts, make sure the weight of the tool is not forcing the side of the blade to do the cutting. This will reduce the risk of kickback.

Make sure there are no nails or foreign objects in the area of the workpiece to be cut.

Never lay workpiece on hard surfaces like concrete, stone, etc. The protruding blade may cause tool to jump.

⚠ DANGER: To avoid injury from accidental starting, always remove the plug from the power source before making any adjustments and before installing or removing a saw blade.

SPECIFIC SAFETY RULES

*ADDITIONAL SPECIFIC SAFETY RULES –
cont'd*

When replacing the blade, make sure the replacement blade is 3 3/8" in diameter and is rated for at least 4,000 RPM. Installing an incorrect blade will result in possible injury and poor cutting action.

After changing a blade or making adjustments, make sure the blade clamp screw is securely tightened. Loose blades and adjustment devices will be violently thrown.

Never touch the blade during or immediately after use. After use the blade is too hot to be safely touched with bare hands.

EXTENSION CORD SAFETY

⚠ WARNING: Keep the extension cord clear of the working area. Position the cord so it will not get caught on the workpiece, tools or any other obstructions while you are working with the power tool.

Make sure any extension cord used with this tool is in good condition. When using an extension cord, be sure to use one of heavy enough gauge to carry the current the tool will draw. An undersized cord will cause a drop in line voltage resulting in loss of power and overheating.

The table at right shows the correct size to use according to cord length and nameplate ampere rating. If in doubt, use the next heavier gauge. The smaller the gauge number the heavier the cord.

Be sure your extension cord is properly wired and in good condition. Always replace a damaged extension cord or have it repaired by a qualified electrician before using it. Protect your extension cord from sharp objects, excessive heat and damp or wet areas.

Use a separate electrical circuit for your power tools. This circuit must not be less than 14 gauge wire and should be protected with either a 15 AMP time delayed fuse or circuit breaker. Before connecting the power tool to the power source, make sure the switch is in the OFF position and the power source is the same as indicated on the nameplate. Running at lower voltage will damage the motor.

⚠ WARNING: Repair or replace damaged or worn extension cords immediately.

Select the appropriate extension cord gauge and length using the chart below.


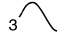

When operating a power tool outdoors, use an outdoor extension cord marked "W-A" or "W". These cords are rated for outdoor use and reduce the risk of electric shock.


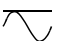







⚠ WARNING: Keep the extension cord clear of the working area. Position the cord so it will not get caught on the workpiece, tools or any other obstructions while you are working with the power tool.

MINIMUM GAUGE (AWG) EXTENSION CORDS (120V use only)					
Amperage rating		Total length			
More than	Not more than	25' (7.5 m)	50' (15 m)	100' (30 m)	150' (45 m)
0	6	18	16	16	14
6	10	18	16	14	12
10	12	16	16	14	12
12	16	14	12	Not Applicable	

SYMBOLS

⚠ WARNING: Some of the following symbols may appear on the multi-cut saw. Study these symbols and learn their meaning. Proper interpretation of these symbols will allow for more efficient and safer operation of this tool.

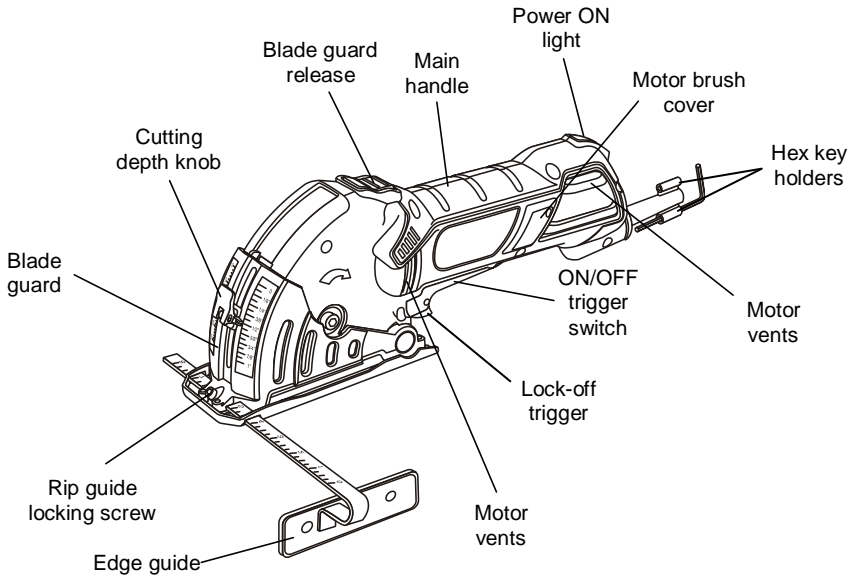
V	Volts
A	Amperes
Hz	Hertz
W	Watts
kW	Kilowatts
μF	Microfarads
L	Liters
kg	Kilograms
H	Hours
N/cm ²	Newtons per square centimeter
Pa	Pascals
OPM	Oscillations per minute
Min	Minutes
S	Seconds
 or a.c.	Alternating current
	Three-phase alternating current
	Three-phase alternating current with neutral

	Direct current
n_0	No load speed
	Alternating or direct current
	Class II construction
	Splash-proof construction
	Watertight construction
	Protective grounding at grounding terminal, Class I tools
.../min	Revolutions or reciprocations per minute
∅	Diameter
0	Off position
	Directional arrow
	Warning symbol
	Wear your safety glasses



This symbol designates that this tool is listed with Canadian requirements by ETL Testing Laboratories, Inc. Conforms to UL Std. 60745-1 and 60745-2-5.

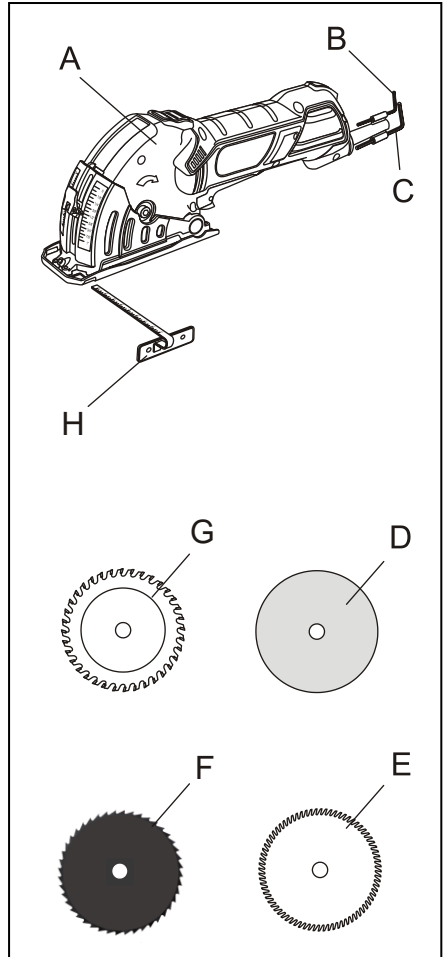
KNOW YOUR MULTI-CUT SAW



CONTENTS

MULTI-CUT SAW COMPONENTS

KEY	DESCRIPTION	QTY
A	Multi-cut saw assembly	1
B	Hex key – 3 mm	1
C	Hex key – 5 mm	1
D	Corundum disc	7
E	HSS blade – 80 teeth	1
F	HSS blade – 44 teeth	1
G	Carbide tipped blade – 24 teeth	1
H	Edge guide	1
	Vacuum hose (not illustrated)	1
	Owner's manual	1



ASSEMBLY AND OPERATING

This multi-cut saw precision saw is a versatile tool that is designed for use in confined work spaces. By selecting the appropriate cutting blades, it will cut copper and aluminum tubing, ceramic and marble tile, and assorted wood products. The following assembly and operating instructions will explain the tool and its operation in detail.

REMOVING THE BLADE

⚠ WARNING: Always unplug the tool from the power source before making any adjustments or changing the blade.

⚠ WARNING: Always be extremely careful when handling blades. They will be extremely hot immediately after use. They are also very sharp and may cause serious injury.

1. Lay the tool on its right hand side on a workbench or other suitable work surface.
NOTE: Protect the work surface with cardboard or a cloth.
2. Insert the 5 mm hex key (1) into the arbor screw (2) on the LEFT side of the tool (Fig. 1).
3. Press inward on the spindle lock button (3) which is located on the RIGHT side of the tool.
4. Rotate the hex key CLOCKWISE while pressing on the spindle lock button until the spindle lock button engages the spindle.
5. Continue to rotate the arbor screw in a CLOCKWISE direction until the arbor screw is removed and the ovaloid arbor washer (4) can be pulled off the arbor.
NOTE: The arbor screw has a left hand thread. It must be turned CLOCKWISE to be removed.
6. Turn the tool to its upright position and carefully remove the blade (5) through the slot in the bottom of the blade guard.

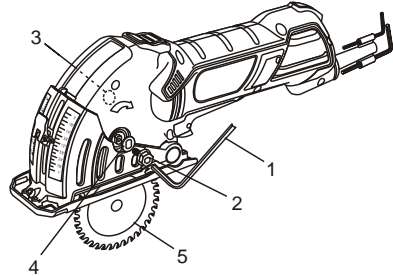
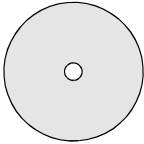
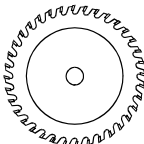
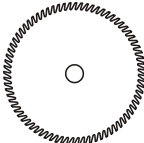



Fig. 1

SELECTING THE CORRECT BLADE

Before installing a blade into the tool, it is important to select the correct blade for the type of material being cut.

⚠ WARNING: Using the incorrect blade type can result in damage to the blade and possible injury to the operator.

Blade Profile	Description
	Corundum saw blade 3 $\frac{3}{8}$ " 85 mm corundum compound. For cutting non-ferrous metals, copper, plastic & wood
	General purpose blade 3 $\frac{3}{8}$ " 85 mm x 24 teeth Cuts hardwoods, softwoods, particle board, plywood & laminate
	HSS blade 3 $\frac{3}{8}$ " 85 mm x 80 teeth Cuts plywood, hardwoods, soft woods, particle board, & laminate
	HSS blade 3 $\frac{3}{8}$ " 85 mm x 44 teeth Cuts non-ferrous metals

ASSEMBLY AND OPERATING

INSTALLING A BLADE

▲ WARNING: Let the hot blade, arbor screw and ovaloid washer cool before attempting to change the blade.

1. Remove the existing blade (if one is installed), arbor screw and ovaloid arbor washer as noted on the previous page.
2. Slide blade (5) through the slot in the bottom of the blade guard and onto the arbor so the hole in the blade (6) slides over the arbor (Fig. 2).
NOTES: Make sure the exposed teeth of a blade with teeth are pointing forward.
3. Re-install ovaloid arbor washer (4) and arbor screw (2) in the reverse order in which they were removed.
NOTE: Make sure the oval hole in the ovaloid blade washer is placed over the matching shaped arbor (7).
4. Lock the spindle using the spindle lock button and tighten the arbor screw by turning it COUNTER CLOCKWISE.
NOTES:
 - a) The arbor screw has a left hand thread. It must be turned COUNTER CLOCKWISE to be tightened.
 - b) Do NOT over tighten the arbor screw.

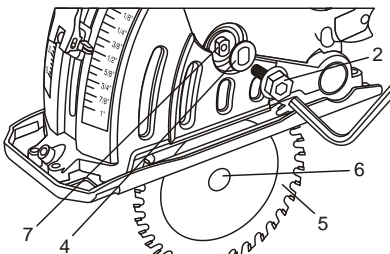


Fig. 2

ADJUSTING THE CUTTING DEPTH

The cutting depth is controlled by limiting the amount of blade exposed below the blade guard.

1. Loosen the depth control lever (1) by pulling it outward (Fig. 3).
2. Slide the depth control (2) upward to the desired cutting depth (3).
3. Lock the depth control in place by pressing the depth control lever inward toward the tool.

Press the rear of the blade guard lock button (4) and carefully pivot the blade guard (5) upward as far as it will go to expose the amount of blade required to achieve the desired depth of cut.

NOTES:

- a) The measurement markings on front of the blade guard (3) should be used as a guide in setting the depth of cut. This will roughly indicate depth of cut.
- b) Always set the cutting depth 1/8" greater than the thickness of the workpiece.
- c) Always test the depth setting on a scrap workpiece to verify the setting before cutting into the good workpiece.

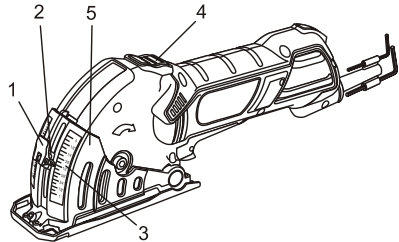


Fig. 3

INSTALLING THE EDGE GUIDE

The multi-cut saw can be used with an edge guide for ripping materials up to 7" wide.

1. Using the 3 mm hex key provided, turn the edge guide locking screw (1) counter clockwise a few turns until the screw rises about 1/8" (Fig. 4).
2. Insert the edge guide rod (2) into the left hand edge guide mounting slot (3), through the middle locking slot (4) and through the right hand mounting slot (5).

ASSEMBLY AND OPERATING

INSTALLING THE EDGE GUIDE – cont'd

NOTE: The edge guide can be installed on either the left or right hand side of the tool.

- Slide the edge guide foot (6) toward the tool until the desired width of cut is indicated on the scale where it meets the right hand edge of the trapezoidal window (7).
 - Tighten the edge guide locking screw.
- NOTES:**
- Do not over tighten the edge guide locking screws or you will damage the edge guide.
 - The edge guide scale is only an approximate measurement. Always check the width of cut on a scrap workpiece.

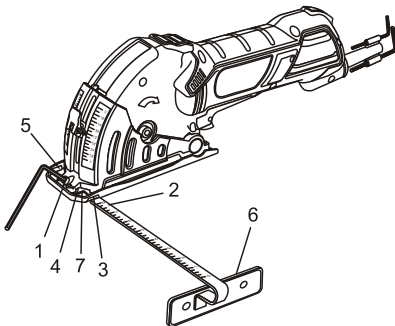


Fig. 4

INSTALLING THE VACUUM HOSE

The vacuum adaptor and hose can be used to attach a workshop vacuum hose to the tool. This will prevent most cutting dust from escaping into the work area.

- Push the small vacuum connector (1) on the end of the vacuum hose (2) over the vacuum port (3) on the right hand side of the tool (Fig. 5).
- Twist and push the vacuum connector to lock it into position.
- Connect a workshop vacuum hose to the opposite end of the vacuum hose.

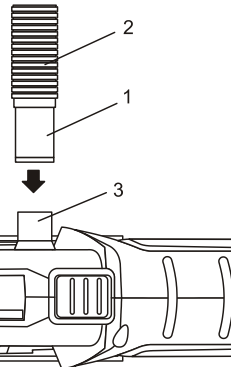


Fig. 5

⚠ WARNING

For safety reasons, the operator must read the sections of this Owner's Manual entitled "GENERAL SAFETY WARNINGS", "POWER TOOL SAFETY", "SPECIFIC SAFETY RULES", "EXTENSION CORD SAFETY" and "SYMBOLS" before using this multi-cut saw.

Verify the following every time the multi-cut saw is used:

- Correct blade is installed for the material being cut.**
- Blade is in good condition and is properly installed.**
- Blade guard is in place and is in good working order.**
- Workpiece is properly secured.**
- Safety glasses, dust mask and hearing protection are being worn.**

Failure to observe these safety rules will significantly increase the risk of injury.

ON/OFF SWITCH

This tool has dual purpose ON/OFF switch that is designed to prevent accidental starting of the tool. It also automatically turns the tool OFF when the switch is not held in the ON position.

ASSEMBLY AND OPERATING

ON/OFF SWITCH – cont'd

1. To turn the multi-cut saw ON, slide your index finger forward on the trigger switch (1) until it moves the lock-off trigger (2) forward (Fig. 6).
2. While holding the lock-off trigger forward, squeeze the trigger switch to start the multi-cut saw.
NOTE: Once the multi-cut saw is up to speed, slide your fingers back on the trigger switch while continuing to squeeze the trigger. The multi-cut saw will continue to run.
3. To turn the multi-cut saw OFF, release the switch trigger.
NOTE: Once the switch trigger has been released to stop the tool, it will NOT restart unless you push the lock-off trigger forward again.

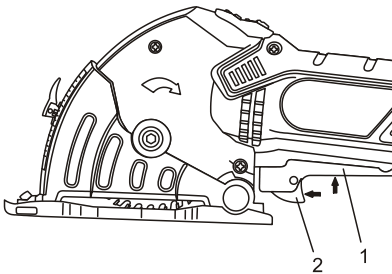


Fig. 6

CUTTING (without the edge guide)

▲ WARNING: Always use two hands on the tool when cutting. This will make operation of the tool easier and promote maximum safety.

1. Install an appropriate cutting blade in the tool as outlined on Page 15 Fig. 2.
2. Adjust the cutting depth as outlined on Page 15 Fig. 3.
3. Plug the tool cord into the power source.
NOTE: The red "power on" light (1) on the rear of the tool handle will illuminate when power is "live" (Fig. 7).

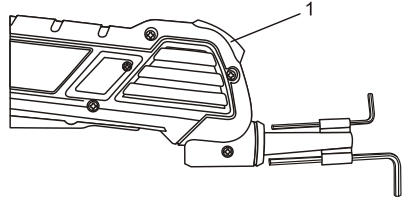


Fig. 7

4. Place leading edge of the blade guard (2) on the workpiece to be cut (Fig. 8).
5. Grasp the tool with two hands. Place your right hand on the body of the tool (3) being careful not to cover the motor vents (4). Place your left hand on the forward part of the tool (5) so your thumb can operate the blade guard release button (6).
6. Line up front cut line indicator (7) with the cutting line marked on the workpiece (8).
NOTE: Do not place the blade guard too far forward on the workpiece. This is important to avoid the blade touching the workpiece when the blade guard is raised to expose the blade as outlined in instruction # 8.
7. Turn switch ON as outlined in Fig. 6 on left.
NOTE: Do not proceed any further until the blade is running at full speed.
8. Using the thumb on your left hand, press the blade guard release button (6) (Fig. 8).
9. Gently press downward on the front of the tool to raise the blade guard until it touches the depth control stop (9).
10. Re-check the alignment of the front cut line indicator (7) and the cutting line marked on the workpiece (8).
11. Slowly move the tool forward until the blade touches the workpiece and begins to cut at the cutting line.

ASSEMBLY AND OPERATING

CUTTING (without the edge guide)

NOTE: Feed the blade into the workpiece at a slow steady pace. Do not force the tool so the motor slows down. The blade will cut faster and cleaner when turning at full speed.

⚠ WARNING: Never try to cut a curve. This tool is designed only for straight line cuts. Attempting to cut curves will damage the blade, make rough cuts and possibly break the blade. Serious injury may result.

When the cut is completed, release the ON/OFF trigger switch and wait for the blade to come to a complete stop before removing the tool from the workpiece.

⚠ WARNING: Make sure the blade guard returns to its normal position covering the blade before taking your hands off the tool.

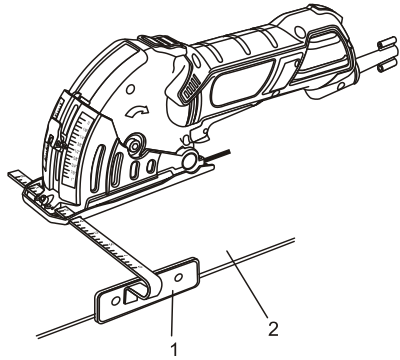


Fig. 9

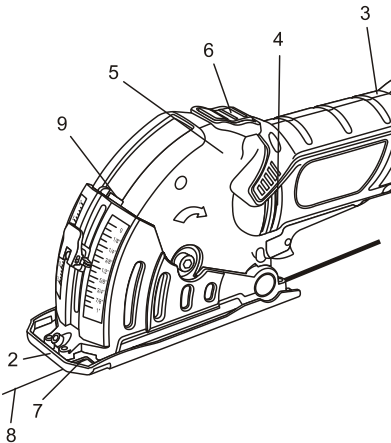


Fig. 8

CUTTING (with the edge guide)


To cut using the edge guide, follow the same basic principles as noted in Paragraphs 1 through 8 above. Instead of following a cutting line, you will simply set the edge guide at the appropriate width and hold the guide shoe (1) against the edge of the workpiece (2) to guide the blade in a straight line (Fig. 9).

MAINTENANCE

REPLACING CARBON MOTOR BRUSHES

The carbon motor brushes will wear down and require replacing. The time intervals between replacements will vary depending upon the type of materials being cut and the hours of use. It is recommended that the brushes be checked after each 10 hours of use. When the length of the carbon brush reaches 1/4" (6.35 mm), the brushes should be replaced.

▲ WARNING: Unplug the tool from the power source.

1. Use a #1  screwdriver and remove the screw (1) from the brush cover (2) in the left handle (Fig. 10).
2. Use a small slot screwdriver and carefully pry the brush cover out of the handle.
3. Use needle nose pliers and pull the outer spade connector (3) off the inner spade connector.
4. Use needle nose pliers to carefully lift the brush spring (4) off the carbon brush (5).
5. Pull the carbon brush from the brush holder (6).
6. Insert the new brush assembly into the motor housing.
7. Reconnect the spade connector and place the brush spring on top of the carbon brush to hold it in place.
8. Reinstall the brush cover and brush cover screw into the tool handle.
9. Repeat the above process and replace the carbon brush on the opposite side of the tool.

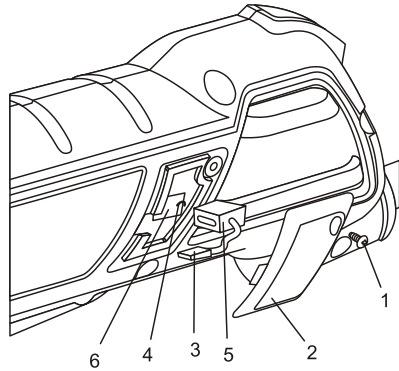


Fig. 10

MAINTENANCE

GENERAL

⚠ WARNING: When servicing, use only identical replacement parts. The use of any other part may create a hazard or cause product damage.

DO NOT use solvents when cleaning plastic parts. Plastics are susceptible to damage from various types of commercial solvents and may be damaged by their use. Use a clean cloth to remove dirt, dust, oil, grease etc.

⚠ WARNING: Do not allow brake fluids, gasoline, petroleum-based products, penetrating oils, etc. to come into contact with plastic parts. They contain chemicals that can damage, weaken or destroy plastic.

DO NOT abuse power tools. Abusive practices can damage the tool and the workpiece.

⚠ WARNING: DO NOT attempt to modify tools or create accessories. Any such alteration or modification is misuse and could result in a hazardous condition leading to possible serious injury. It will also void the warranty.

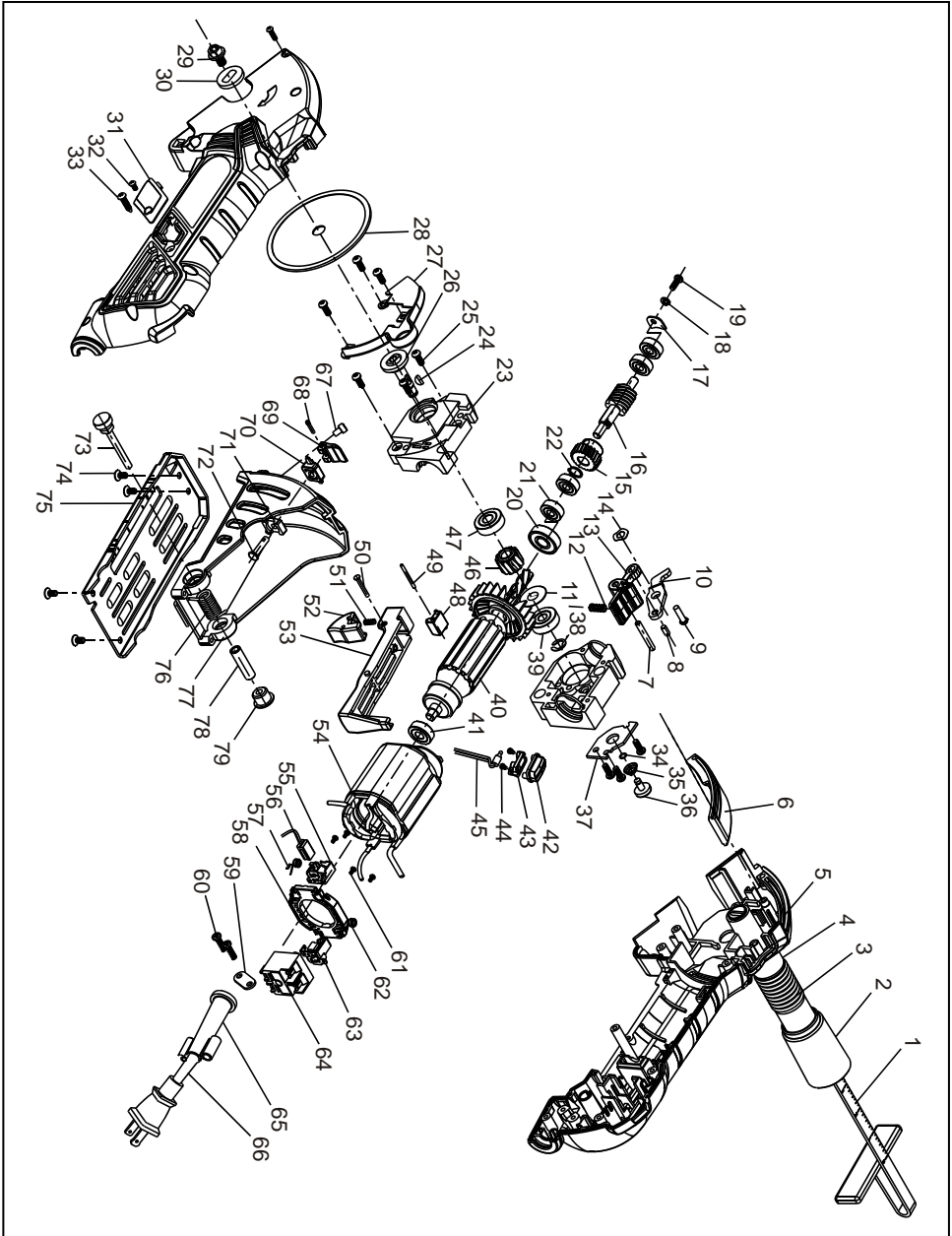
It has been found that electric tools are subjected to accelerated wear and possible premature failure when they are used on fiberglass boats and sports cars, wallboard, spackling compounds or plaster. The chips and grindings from these materials are highly abrasive to electric tool parts such as bearings, brushes, commutators, etc. Consequently, it is not recommended that this tool be used for extended work on any fiberglass material, wallboard, spackling compounds or plaster. During any use on these materials it is extremely important that the tool is cleaned frequently by blowing it out with an air jet.

⚠ WARNING: Always wear safety goggles or safety glasses with side shields during all cutting operations. It is critical that you also wear safety goggles or safety glasses with side shields and a dust mask while blowing dust out of the multi-cutter with an air jet. Failure to take these safety precautions could result in permanent eye or lung damage.

LUBRICATION

All of the bearings in this tool are lubricated with a sufficient amount of high-grade lubricant for the life of the unit under normal conditions. Therefore, no further lubrication is required.

EXPLODED VIEW



PARTS LIST

⚠ WARNING: When servicing, use only original equipment replacement parts. The use of any other parts may create a safety hazard or cause damage to the multi-cut saw.

Any attempt to repair or replace electrical parts on this multi-cut saw may create a safety hazard unless repairs are performed by a qualified technician. For more information, call the Toll-free Helpline, at 1-866-349-8665 Monday – Friday from 9am to 5pm Eastern Standard Time.

Always order by PART NUMBER, not by key number.

Key #	Part #	Part Name	Quantity
1	6220040015	Edge guide	1
2	3180040107	Vacuum adaptor	1
3	3180040106	Hose	1
4	3180040105	Hose connector	1
5	3011120007	Right housing	1
6	2020060016	Limiting plate	1
7	2040160149	Pin, dia. 4X28	1
8	2040160148	Knurled pin, dia. 4X10	1
9	4020010053	Screw M4X14	2
10	2040250011	Stop lever	1
11	0212000011	Closing ring 9	1
12	2050060169	Spring	1
13	3120060043	Cage knob	1
14	4040020013	Wave washer	5
15	2010050032	Gear	6
16	2040040038	Worm	1
17	2030160074	Textile board	1
18	4040030001	Elastic washer	1
19	4020020010	Tapping screw M4X10	1
20	4010010105	Bearing 609-2RS	1
21	4010010076	Bearing 606-2RS	4
22	4010020001	Circlip	1
23	2020020014	Bottom worm gear case	1
24	4120020007	Woodruff key	1
25	4020010050	Screw M4X20	4
26	2040040037	Worm wheel shaft	1
27	2030130035	Inner guard	1
28	6070040003	Saw bit 36	1
29	4050050009	Blade retaining screw	1
30	2030020309	Blade claping plate	1
31	3160040073	Carbon brush cap	2
32	4030010023	Tapping screw ST2.9X8	2
33	4030010106	Tapping screw ST3.9X19	11
34	5050060108	Retaining ring	1

PARTS LIST

Key #	Part #	Part Name	Quantity
35	2050060109	Conical spiral spring	1
36	1160010014	Shaft lock	1
37	2030160119	Bearing hold down	1
38	4100050008	"E" ring dia. 7	1
39	4010010106	Bearing 627-2RS	1
40	0212000011	Rotor	1
41	4010010053	Bearing 607-2RS	1
42	3160060043	Upper indicator light cover	1
43	3160060045	Lower indicator light cover	1
44	4030010002	Tapping screw ST2X4,5	2
45	1220040018	Pilot lamp	1
46	2010050031	Worm wheel	1
47	4010010060	Bearing 608-2RS	1
48	3120040048	Lock block	1
49	2040160143	Pin, dia. 2X22	1
50	4090010010	Hollow rivet, dia. 2.5X20	1
51	2050060170	Spring	1
52	3120040047	Lock button	1
53	3120010069	Switch knob	1
54	0212000011	Stator	1
55	2030070044	Left brush holder	1
56	1230010118	Carbon brush	1
57	2050050035	Left brush spring	2
58	3150150024	Brush holder support	1
59	2030050002	Cord clamp	1
60	4030010099	Tapping Screw ST3.9X10	1
61	4030010006	Tapping screw ST2X6	1
62	2050050036	Right brush spring	1
63	2030070045	Right brush holder	1
64	1062020001	Switch	1
65	3140010072	Cord guard	1
66	2030050002	Plug & Cord	1
67	4020080016	Hex screw M4X10	1
68	2040160025	Knurled pin, dia. 2.2X12	1
69	3120120113	Depth lock lever	1
70	3120120112	Depth indicator	1
71	3120120111	Depth slipping block	1
72	2040160147	Pin	1
73	4020010127	Fixing screw	1
74	4020020001	Screw M4X8	4
75	2030010052	Base plate	1
76	2050050025	Torsion spring	1
77	2020080037	V-Guard	1
78	2010080101	Torsion spring shaft	1
79	2010210018	Side screw	1

PERFORMAX™ MULTI-CUT SAW WARRANTY

30-DAY MONEY BACK GUARANTEE:

This PERFORMAX™ brand power tool carries our 30-Day Money Back Guarantee. If you are not completely satisfied with your PERFORMAX™ brand power tool for any reason within thirty (30) days from the date of purchase, return the tool with your original receipt to any MENARDS® retail store, and we will provide you a refund – no questions asked.

2-YEAR LIMITED WARRANTY:

This PERFORMAX™ brand power tool carries a 2-Year Limited Warranty to the original purchaser. If, during normal use, this PERFORMAX™ power tool breaks or fails due to a defect in material or workmanship within two (2) years from the date of original purchase, simply bring this tool with the original sales receipt back to your nearest MENARDS® retail store. At its discretion, PERFORMAX™ agrees to have the tool or any defective part(s) repaired or replaced with the same or similar PERFORMAX™ product or part free of charge, within the stated warranty period, when returned by the original purchaser with original sales receipt. Notwithstanding the foregoing, this limited warranty does not cover any damage that has resulted from abuse or misuse of the Merchandise. This warranty: (1) excludes expendable parts including but not limited to blades, brushes, belts, bits, light bulbs, and/or batteries; (2) shall be void if this tool is used for commercial and/or rental purposes; and (3) does not cover any losses, injuries to persons/property or costs. This warranty does give you specific legal rights and you may have other rights, which vary from state to state. Be careful, tools are dangerous if improperly used or maintained. Seller's employees are not qualified to advise you on the use of this Merchandise. Any oral representation(s) made will not be binding on seller or its employees. The rights under this limited warranty are to the original purchaser of the Merchandise and may not be transferred to any subsequent owner. This limited warranty is in lieu of all warranties, expressed or implied including warranties or merchantability and fitness for a particular purpose. Seller shall not be liable for any special, incidental, or consequential damages. The sole exclusive remedy against the seller will be for the replacement of any defects as provided herein, as long as the seller is willing or able to replace this product or is willing to refund the purchase price as provided above. For insurance purposes, seller is not allowed to demonstrate any of these power tools for you.

For questions / comments, technical assistance or repair parts –
Please Call Toll Free at: 1-866-349-8665 (M-F 9am – 5pm EST)

SAVE YOUR RECEIPTS. THIS WARRANTY IS VOID WITHOUT THEM.

Distributed by: Menard, Inc., Eau Claire, WI 54703