

BENCHMARKTM MC

PORTABLE BAND SAW 1345-300



5 Year Limited Warranty



Intertek
3151836
R2103

**READ ALL INSTRUCTIONS BEFORE FIRST USE.
KEEP THIS MANUAL FOR FUTURE REFERENCE.
KEEP AWAY FROM CHILDREN.**



**WEAR CSA APPROVED
EYE PROTECTION**



**WEAR EAR
PROTECTION**



**WEAR A FACE
MASK**

PRODUCT SPECIFICATIONS

PORTABLE BAND SAW	
Motor	120V~ 60 Hz, 10 Amp
Blade Length	44-7/8" (1,140mm)
Blade Width	1/2" (13mm)
Blade Thickness	0.025" (0.65mm)
Blade TPI	10/14 Variable
Blade Material	M42 BiMetal with 8% Cobalt
Variable No Load Speed	0-435 SFPM (surface feet per minute)
Max Cutting Width	5"
Cord	10 ft (3m) SJ Rubberized
Replacement Blade	1345-704
Weight	14.5 Lb (6.6 kg)

NEED ASSISTANCE?

Call us on our toll-free customer support line:
1-866-349-8665 (Monday through Friday 9am – 5pm
Eastern Standard Time)

- Technical questions
- Replacement parts
- Parts missing from package

TABLE OF CONTENTS

Product Specifications.....1

Table of Contents.....2

General Safety Warnings.....3-5

Specific Safety Rules.....5

Symbols.....7

Extension Cord Safety.....8

Know Your Portable Band Saw.....9

Assembly and Operation.....10

Maintenance.....11

Explosion Drawing.....12


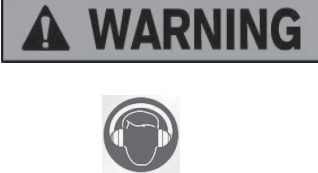

Parts List.....13-15

Warranty.....16

GENERAL SAFETY WARNINGS

WARNING:

Before using this tool or any of its accessories, read this manual and follow all Safety Rules and Operating Instructions. The important precautions, safeguards and instructions appearing in this manual are not meant to cover all possible situations. It must be understood that common sense and caution are factors which cannot be built into the product.

SYMBOL	MEANING
	<p>ALWAYS WEAR EYE PROTECTION THAT CONFORMS WITH CSA Z94.3 or ANSI SAFETY STANDARD Z87.1</p> <p>FLYING DEBRIS can cause permanent eye damage. Prescription eyeglasses ARE NOT a replacement for proper eye protection.</p> <p>Non-compliant eyewear can cause serious injury if broken during the operation of a power tool.</p>
	<p>Use hearing protection, particularly during extended periods of operation of the tool, or if the operation is noisy.</p>
	<p>WEAR A DUST MASK THAT IS DESIGNED TO BE USED WHEN OPERATING A POWER TOOL IN A DUSTY ENVIRONMENT.</p> <p>Dust that is created by power sanding, sawing, grinding, drilling, and other construction activities may contain chemicals that are known to cause cancer, birth defects, or other genetic abnormalities.</p> <p>These chemicals include:</p> <ul style="list-style-type: none"> • Lead from lead-based paints • Crystalline silica from bricks, cement, and other masonry products • Arsenic and chromium from chemically treated lumber <p>the level of risk from exposure to these chemicals varies, according to how often this type of work is performed. In order to reduce exposure to these chemicals, work in a well-ventilated area, and use approved safety equipment, such as a dust mask that is specifically designed to filter out microscopic particles.</p>

READ ALL INSTRUCTIONS

GENERAL SAFETY INSTRUCTIONS



WARNING! Read all safety warnings and all instructions. Failure to follow the warnings and instructions may result in electric shock, fire and/or serious injury. Save all warnings and instructions for future reference. The term “power tool” in the warnings refers to your mainsoperated (corded) power tool or battery-operated (cordless) power tool.

1. WORK AREA SAFETY

- Keep work area clean and well lit. Cluttered or dark areas invite accidents.
- Do not operate power tools in explosive atmospheres, such as in the presence of flammable liquids, gases or dust. Power tools create sparks which may ignite the dust or fumes.
- Keep children and bystanders away while operating a power tool. Distractions can cause you to lose control.

2. ELECTRICAL SAFETY

- Power tool plugs must match the outlet. Never modify the plug in any way. Do not use any adapter plugs with earthed (grounded) power tools. Unmodified plugs and matching outlets will reduce risk of electric shock.
- Avoid body contact with earthed or grounded surfaces such as pipes, radiators, ranges and refrigerators. There is an increased risk of electric shock if your body is earthed or grounded.
- Do not expose power tools to rain or wet conditions. Water entering a power tool will increase the risk of electric shock.
- Do not abuse the cord. Never use the cord for carrying, pulling or unplugging the power tool. Keep cord away from heat, oil, sharp edges or moving parts. Damaged or entangled cords increase the risk of electric shock.
- When operating a power tool outdoors, use an extension cord suitable for outdoor use. Use of a cord suitable for outdoor use reduces the risk of electric shock.
- If operating a power tool in a damp location is unavoidable, use an earth leakage circuit breaker. Use of an earth leakage circuit breaker reduces the risk of electric shock.

3. PERSONAL SAFETY

- Stay alert, watch what you are doing and use common sense when operating a power tool. Do not use a power tool while you are tired or under the influence of drugs, alcohol or medication. A moment of inattention while operating power tools may result in serious personal injury.
- Use personal protective equipment. Always wear eye protection. Protective equipment such as dust mask, non-skid safety shoes, hard hat, or hearing protection used for appropriate conditions will reduce personal injuries.
- Prevent unintentional starting. Ensure the switch is in the off-position before connecting to power source and/or battery pack, picking up or carrying the tool. Carrying power tools with your finger on the switch or energising power tools that have the switch on invites accidents.
- Remove any adjusting key or wrench before turning the power tool on. A wrench or a key left attached to a rotating part of the power tool may result in personal injury.
- Do not overreach. Keep proper footing and balance at all times. This enables better control of the power tool in unexpected situations.
- Dress properly. Do not wear loose clothing or jewellery. Keep your hair, clothing and gloves away from moving parts. Loose clothes, jewellery or long hair can be caught in moving parts.
- If devices are provided for the connection of dust extraction and collection facilities, ensure these are connected and properly used. Use of dust collection can reduce dust-related hazards.

4. POWER TOOL USE AND CARE

- Do not force the power tool. Use the correct power tool for your application. The correct power tool will do the job better and safer at the rate for which it was designed.
- Do not use the power tool if the switch does not turn it on and off. Any power tool that cannot be controlled with the switch is dangerous and must be repaired.
- Disconnect the plug from the power source and/or the battery pack from the power tool before making any adjustments changing accessories, or storing power tools. Such preventive safety measures reduce the risk of starting the power tool accidentally.

- Store idle power tools out of the reach of children and do not allow persons unfamiliar with the power tool or these instructions to operate the power tool. Power tools are dangerous in the hands of untrained users.
- Maintain power tools. Check for misalignment or binding of moving parts, breakage of parts and any other condition that may affect the power tool's operation. If damaged, have the power tool repaired before use. Many accidents are caused by poorly maintained power tools.
- Keep cutting tools sharp and clean. Properly maintained cutting tools with sharp cutting edges are less likely to bind and are easier to control.
- Use the power tool, accessories and tool bits etc., in accordance with these instructions, taking into account the working conditions and the work to be performed. Use of the power tool for operations different from those intended could result in a hazardous situation.

SERVICE

Have your power tool serviced by a qualified repair person using only identical replacement parts. This will ensure that the safety of the power tool is maintained.

SPECIFIC SAFETY RULES



WARNING! DO NOT let comfort or familiarity with the product (gained from repeated use) replace strict adherence to the tool safety rules. If you use this tool unsafely or incorrectly, you may suffer serious personal injury.

DANGER! When the tool is in operation, keep hands away from the saw blade and the area it is being applied to. Failure to follow this warning will result in amputation, serious personal injury or death.

- Hold power tool by insulated gripping surfaces, when performing an operation where the cutting accessory may contact hidden wiring or its own cord. Cutting accessories contacting a “live” wire may make exposed metal parts of the power tool “live” and could give the operator an electric shock.
- Never leave the Bandsaw unattended while it is running.
- Do not put the Bandsaw down until the blade comes to a complete stop.
- Before each use, make sure the Tension/Quick release lever is in the tightened position (making the blade taut).
- Make sure the workpiece is securely fastened down before operating the Bandsaw. Work slowly and carefully when cutting corners, sharp edges, ragged welds, etc., to avoid snagging.
- Do not operate this tool with a worn or dull blade.
- The workpiece and the motor housing can get very hot during operation. Stop work until unit cools down to a safe temperature.
- Maintain labels and nameplates on the tool. These carry important safety information. If unreadable or missing, contact Customer Service @ 1-866-349-8665.
- To reduce the risk of injury from accidental starting, make sure your finger is off the ON/OFF trigger and Bandsaw is unplugged before changing the set-up, removing cover, guard or the blade.
- Do not lay the tool down until it has come to a complete stop. Moving parts can grab the surface and pull the tool out of your control.
- Maintain a firm grip on the tool with both hands to resist starting torque.
- Do not leave the tool unattended when it is plugged into an electrical outlet. Turn off the tool, and unplug it from its electrical outlet before leaving.
- If any part is missing, bent or broken in any way, or if any electrical parts do not work properly, unplug the Bandsaw. Replace damaged or missing parts before using the Bandsaw again. **NEVER use a tool that is defective or operating abnormally.**
- Make sure the blade teeth point downward.
- Ensure the blade guides are properly adjusted.
- Turn the tool OFF if the tool is to be backed out of an uncompleted cut.
- Before starting your cut, watch the saw while it runs. If it makes an unfamiliar noise or vibrates excessively, stop immediately. Turn the Bandsaw off and unplug. Do not restart until you have found and corrected the problem.
- Let the blade reach full speed before cutting.
- Cut only one workpiece at a time.
- Wear suitable work gloves to reduce the vibration effects during use.

- This product is not a toy. Keep it out of reach of children.
- People with pacemakers should consult their physician(s) before use. Electromagnetic fields in close proximity to heart pacemaker could cause pacemaker interference or pacemaker failure. In addition, people with pacemakers should: Avoid operating alone. Do not use with power switch locked on. Properly maintain and inspect to avoid electrical shock. Any power cord must be properly grounded. Ground Fault Circuit Interrupter (GFCI) should also be implemented – it prevents sustained electrical shock.
- Always check that the supply voltage is the same as the voltage indicated on the nameplate of the tool.
- Do not clamp the tool in a vice



WARNING: Some dust created by power sanding, sawing, grinding, drilling, and other construction activities, contains chemicals known to the State of California to cause cancer and birth defects or other reproductive harm



WARNING: The cord of this product contains lead and/or di (2-ethylhexyl) phthalate (DEHP), chemicals known to the State of California to cause cancer, and birth defects or other reproductive harm. Wash hands after handling.
(California Health & Safety Code § 25249.5, et seq.)

- The warnings, precautions, and instructions discussed in this instruction manual cannot cover all possible conditions and situations that may occur. It must be understood by the operator that common sense and caution are factors which cannot be built into this product, but must be supplied by the operator. **Vibration Safety** This tool vibrates during use. Repeated or long-term exposure to vibration may cause temporary or permanent physical injury, particularly to the hands, arms and shoulders. To reduce the risk of vibration-related injury:
- Anyone using vibrating tools regularly or for an extended period should first be examined by a doctor and then have regular medical check-ups to ensure medical problems are not being caused or worsened from use. Pregnant women or people who have impaired blood circulation to the hand, past hand injuries, nervous system disorders, diabetes, or Raynaud's Disease should not use this tool. If you feel any symptoms related to vibration (such as tingling, numbness, and white or blue fingers), seek medical advice as soon as possible.
- Do not smoke during use. Nicotine reduces the blood supply to the hands and fingers, increasing the risk of vibration-related injury.
- Wear suitable gloves to reduce the vibration effects on the user.
- Use tools with the lowest vibration when there is a choice.
- Include vibration-free periods each day of work.
- Grip tool as lightly as possible (while still keeping safe control of it). Let the tool do the work.
- To reduce vibration, maintain the tool as explained in this manual. If any abnormal vibration occurs, stop use immediately.

OUTDOOR USE

- Connect the tool via a fault current (FI) circuit breaker with a triggering current of 30 mA maximum



WARNING:
ALL ELECTRICAL CONNECTIONS MUST BE DONE BY A QUALIFIED ELECTRICIAN. FAILURE TO COMPLY MAY RESULT IN SERIOUS INJURY! ALL ADJUSTMENTS OR REPAIRS MUST BE DONE WITH THE MACHINE DISCONNECTED FROM THE POWER SOURCE. FAILURE TO COMPLY MAY RESULT IN SERIOUS INJURY!

SAFETY SYMBOLS



WARNING: Some of the following symbols may appear on your tool. Study these symbols and learn their meaning. Proper interpretation of these symbols will allow for more efficient and safer operation of this tool.

V	Volts	3n ~	Three-phase alternating current with neutral
A	Amperes		
Hz	Hertz	— — —	Direct current
W	Watts	n _o	No load speed
kW	Kilowatts	~	Alternating or direct current
μF	Microfarads	□	Class II construction
L	Litres	⚠	Splash-proof construction
kg	Kilograms	💧	Watertight construction
H	Hours	⚡	Protective grounding at terminal, Class I tools
N/cm ²	Newtons per square centimeter	.../min	Revolutions or reciprocations per minute
Pa	Pascals	∅	Diameter
Min	Minutes	0	Off position
S	Seconds	➔	Directional arrow
~ or AC	Alternating current	⚠	Warning symbol
3 ~	Three-phase alternating current	🕶	Wear your safety glasses



Intertek
3151836
R2103

This symbol designates that this tool is listed with Canadian and U.S. requirements by ETL Testing Laboratories, Inc.

Conforms to UL STD. 60745-1 and 60745-2-20

Certified to CSA STD C222 No 60745-1 and 60745-2-20

EXTENSION CORD SAFETY



WARNING


Keep the extension cord clear of the working area.

Position the cord so it will not get caught on the workpiece, tools or any other obstructions while you are working with the power tool.

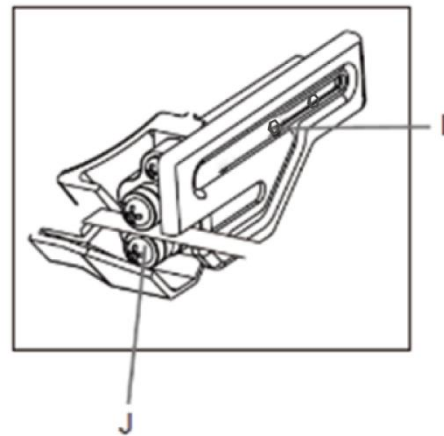
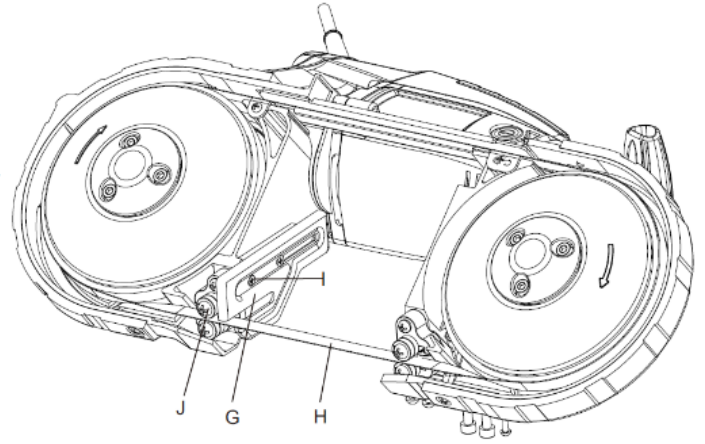
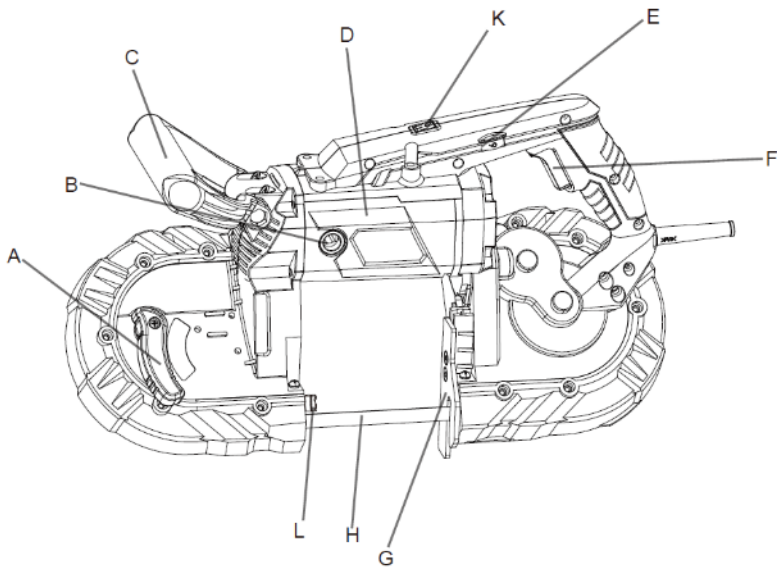
1. Make sure any extension cord used with this tool is in good condition. When using an extension cord, be sure to use one of heavy enough gauge to carry the current the tool will draw. An undersized cord will cause a drop in line voltage resulting in loss of power and overheating.
2. The table below shows the correct size to use according to cord length and nameplate ampere rating. If in doubt, use the next heavier gauge. The smaller the gauge number the heavier the cord.
3. Be sure your extension cord is properly wired and in good condition. Always replace a damaged extension cord or have it repaired by a qualified electrician before using it. Protect your extension cord from sharp objects, excessive heat and damp or wet areas.
4. Use a separate electrical circuit for your power tools. This circuit must not be less than 14 gauge wire and should be protected with either a 15 A time delayed fuse or circuit breaker. Before connecting the power tool to the power source, make sure the switch is in the OFF position and the power source is the same as indicated on the nameplate. Running at lower voltage will damage the motor.

MINIMUM GAUGE(AWG)EXTENSION CORDS(120V)USE ONLY					
Amperage rating		Total length			
More than	Not more than	25' (7.5 m)	50' (15 m)	100' (30 m)	150' (45 m)
	6	18	16	16	14
6	10	18	16	14	12
10	12	16	16	14	12
12	16	14	12	Not Applicable	

ELECTRICAL INFORMATION

The bandsaw is ready to run for 120V operation. This Bandsaw is double insulated which means there are two systems of insulation, instead of grounding. This means that no grounding is provided on a double-insulated appliance, nor should a means for grounding be added. Servicing a double-insulated bandsaw requires extreme care and knowledge of the system and should be done only by qualified service personnel. Replacement parts for a double-insulated bandsaw must be identical to the parts they replace. The double-insulated bandsaw is marked with the words "DOUBLE INSULATED" and the symbol  may also be marked on the tool.

KNOW YOUR PORTABLE BAND SAW



- A. Tension/Quick release lever
- B. External carbon brush
- C. Auxiliary Handle
- D. Motor housing
- E. Variable speed control dial
- F. On/Off trigger
- G. Guide bar
- H. Blade
- I. Hex Key Screw
- J. Guide Bearing
- K. LED ON/OFF
- L. LED light

ASSEMBLY AND OPERATION

WARNING To reduce the risk of injury, always unplug tool before attaching or removing accessories or making adjustments. Use only specifically recommended accessories. Others may be hazardous.

Blade Replacement/Installation

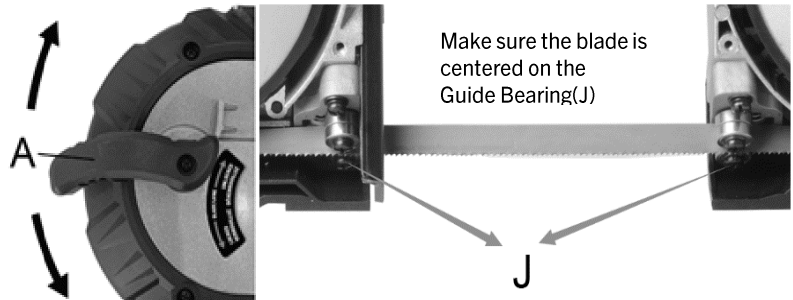
WARNING – Do not touch blade immediately after use.

Blade will be hot!

Turn the Tension/Quick release lever (A) clockwise to release the blade tension. Set the blade into both Guide Bearings (J), making sure the blade is centered on them, hold the blade on the guides and push in. Make sure the blade evenly fits around the wheels.

Turn the Tension/Quick release lever (A) until the blade is taut and the Tension /Quick release lever is “Tight”. Plug in the tool and put on your ear/eye protection, and turn on the tool. Inspect the blade and make sure it runs steady and evenly around the wheels, and that the teeth are pointed in the correct direction.

Turn the Tension/Quick release lever (A) clockwise to release the blade tension

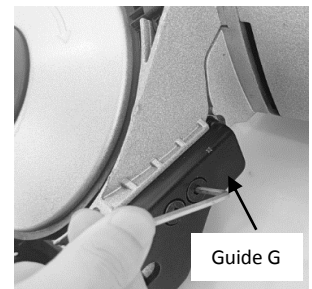


Turn the Tension/Quick release lever (A) counter clockwise to hold the blade tension

Guide Bar Assembly

The Guide Bar (G) is assembled on the band saw. Use the 4mm hex key supplied to loosen the Screws (I) on the frame of the Guide bar.

Adjust the Guide Bar (G) around the blade as shown, then tighten the screws on the Guide bar.



ON/OFF Trigger

Turn the Portable Band Saw ON/OFF with the trigger (F) See “F” on the “Know your Portable Band Saw” page. Depress the trigger to turn the tool ON. Release to stop running the tool.

Variable Speed Control Dial.

Adjust the cutting speed by turning the Speed dial E. See “E” on the “Know your Portable Band Saw” page. Speeds are numbered 1-6, 1 is the lowest speed and 6 is the highest.

LED light

Turn the LED light ON/OFF with the switch (K) See “K” on the “Know your Portable Band Saw” page.

Cutting

CAUTION: Before plugging in the tool, always check to ensure that the ON/OFF trigger actuates properly and returns to the “OFF” position when released.

1. Ensure the ON/OFF trigger is in the OFF position, then plug the tool in.
2. Secure your workpiece to a workbench or other solid surface.
3. Ensure the electrical power cord is out of the way.
4. Set the Guide Bar against the workpiece, keeping the blade at a 90° angle compared to the workpiece.
5. Turn the Band saw ON and allow it to come up to full speed before starting the cut.
6. Adjust speed as necessary by turning the Variable control speed dial.
7. Tilt the tool so that the blade is vertical.
8. To start a cut, use minimal force to make a groove in the workpiece. Once groove is started, allow the rest of the blade to cut into workpiece.

NOTE: Making a “groove” in the workpiece first will prevent blade from moving from side-to-side during cutting.

9. As the cut reaches the end of the workpiece, finish off the cut, by slightly raising the unit slowly, bringing the blade up.

CAUTION! Do not apply force to the tool. The weight of the tool itself creates enough force to make a clean cut. Forcing, pushing or leaning on the tool may twist or break the blade, damaging the saw and possibly causing injury.

MAINTENANCE

Keep your tool in good repair by adopting a regular maintenance program. Before use, examine the general condition of your tool. Inspect guards, switches, tool cord set and extension cord for damage. Check for loose screws, misalignment, binding of moving parts, improper mounting, broken parts and any other condition that may affect its safe operation. If abnormal noise or vibration occurs, turn the tool off immediately and have the problem corrected before further use. Do not use a damaged tool.

- Protect the tool from impact, shock and grease
- Always keep tool and cord clean (especially ventilation slots)

CLEANING

Cleaning Clean dust and debris from vents. Keep the tool handles clean, dry and free of oil or grease. Use only mild soap and a damp cloth to clean your tool since certain cleaning agents and solvents are harmful to plastics and other insulated parts. Some of these include: gasoline, turpentine, lacquer thinner, paint thinner, chlorinated cleaning solvents, ammonia and household detergents containing ammonia. Never use flammable or combustible solvents around tools.

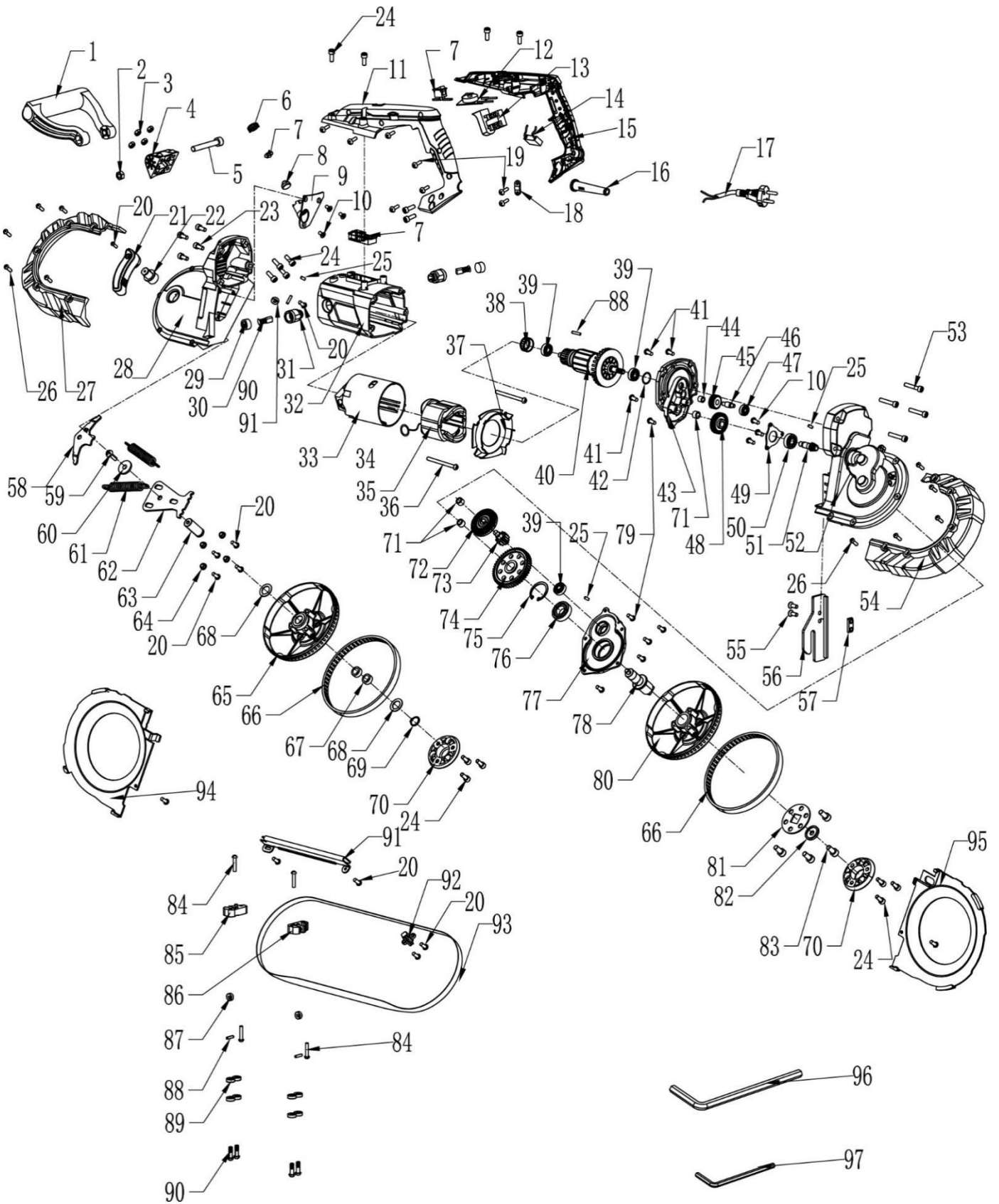


WARNING: disconnect the plug before cleaning



WARNING: do not attempt to clean ventilation slots by inserting pointed objects through openings

EXPLODED VIEW



PARTS LIST

⚠ WARNING! When servicing, use only original equipment replacement parts. The use of any other parts may create a safety hazard or cause damage to the tool. Any attempt to repair or replace electrical parts on this tool may create a safety hazard unless repairs are performed by a qualified technician. For more information, call the Toll-free Helpline, at 1-866-349-8665.

Key#	Part #	Part Name	Qty
1	1345-300-001	Auxiliary handle	1
2	1345-300-002	Screw M8	1
3	1345-300-003	Screw M6	4
4	1345-300-004	Handle base	1
5	1345-300-005	Screw M8×70mm	1
6	1345-300-006	Light- back cover	1
7	1345-300-007	LED light	1
8	1345-300-008	LED Cover	1
9	1345-300-009	Light base	1
10	1345-300-010	Screw M4×8mm	6
11	1345-300-011	Left handle	1
12	1345-300-012	Speed controller	1
13	1345-300-013	Switch	1
14	1345-300-014	Capacitor	1
15	1345-300-015	Right handle	1
16	1345-300-016	Sleeve	1
17	1345-300-017	Cable	1
18	1345-300-018	Cable plate	1
19	1345-300-019	Screw 4×16	8
20	1345-300-020	Screw M4×12mm	12
21	1345-300-021	Blade Tension Lever	1
22	1345-300-022	Adjusting shaft 45	1
23	1345-300-023	Screw M6×20	4
24	1345-300-024	Screw M6×14mm	16
25	1345-300-025	round pin 4×10mm	3
26	1345-300-026	Screw M5×12mm	10
27	1345-300-027	support sleeve	1
28	1345-300-028	support	1
29	1345-300-029	brush cap	2
31	1345-300-030	brush holder	2
30	1345-300-031	carbon brush	2
32	1345-300-032	housing	1
33	1345-300-033	stator sleeve	1
34	1345-300-034	Tension spring	2
35	1345-300-035	stator	1
36	1345-300-036	Screw 4.8×55mm	2
37	1345-300-037	anti-wind ring	1
38	1345-300-038	bearing sleeve 608	1
39	1345-300-039	Bearing 608Z	1
40	1345-300-040	rotor	1

Key#	Part #	Part Name	Qty
41	1345-300-041	Screw M5×10mm	3
42	1345-300-042	O ring 25×22×1.5mm	1
43	1345-300-043	Middle cover	1
44	1345-300-044	Nedde bearing HK0608	1
45	1345-300-045	Bear	1
46	1345-300-046	Gear shaft	1
47	1345-300-047	Bearing 626	1
48	1345-300-048	Class I gear	1
49	1345-300-049	bearing press sleeve	1
50	1345-300-050	Bearing 6000z2RS	1
51	1345-300-051	Class II gear shaft	1
52	1345-300-052	Gear box	1
53	1345-300-053	Screw M6×40mm	4
54	1345-300-054	Gear box sleeve	1
55	1345-300-055	Screw M6*16mm	2
56	1345-300-056	Holder	1
57	1345-300-057	Slide block M6	1
58	1345-300-058	Adjusting support	1
59	1345-300-059	Screw M6×20mm	1
60	1345-300-060	Wheel	1
61	1345-300-061	Extension spring	2
62	1345-300-062	Movable support	1
63	1345-300-063	Driving shaft	1
64	1345-300-064	Locating sleeve	4
65	1345-300-065	Drive plate	1
66	1345-300-066	Non-slip band	2
67	1345-300-067	Copper bush	2
68	1345-300-068	Dust-proof washer	2
69	1345-300-069	Circlip Φ16	1
70	1345-300-070	Drive plate cover	2
71	1345-300-071	Nedde bearing	3
72	1345-300-072	Class II gear	1
73	1345-300-073	Class III gear shaft	1
74	1345-300-074	Class III gear	1
75	1345-300-075	Collar φ35	1
76	1345-300-076	Baring 6003z22RS	1
77	1345-300-077	Gear box cover	1
78	1345-300-078	Output shaft	1
79	1345-300-079	Screw M5×14mm	6
80	1345-300-080	Drive plate	1
81	1345-300-081	Coupling piece	1
82	1345-300-082	Press plate	1
83	1345-300-083	Screw M8×14 mm	4

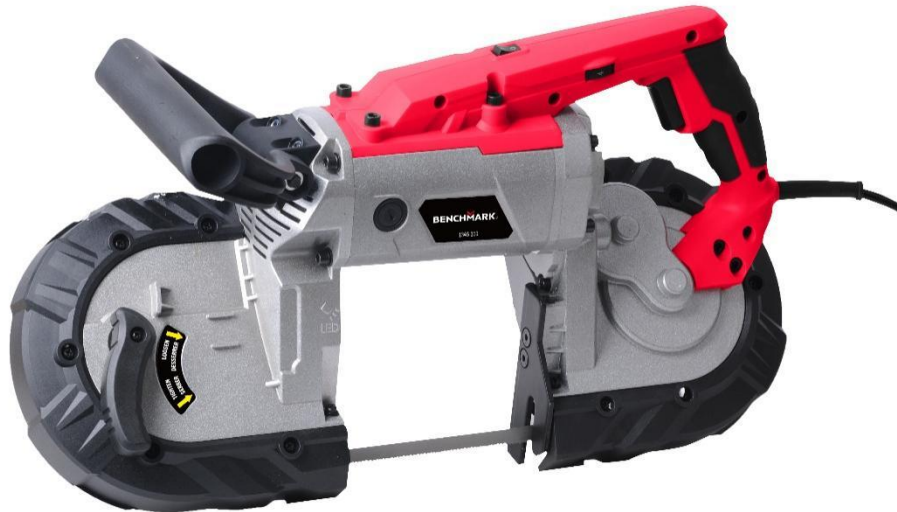
Key#	Part #	Part Name	Qty
84	1345-300-084	Screw M5×25mm	4
85	1345-300-085	Locating block II	1
86	1345-300-086	Locating block I	1
87	1345-300-087	Bearing 624	3
88	1345-300-088	Pin 4×16mm	4
89	1345-300-089	Bearing 696	8
90	1345-300-090	Screw	4
91	1345-300-091	Blade holder	1
92	1345-300-092	Brush	1
93	1345-300-093	Blade 1140×13×0.65	1
94	1345-300-094	Support cover	
95	1345-300-095	Gear box protective cover	
96	1345-300-096	Hex key 6mm	1
97	1345-300-097	Hex key 4mm	1

WARRANTY

BENCHMARK PORTABLE BAND SAW

If this Benchmark tool fails due to a defect in material or workmanship within five years from the date of purchase, return it to any Home Hardware store with the original bill of sale for exchange. 3-year warranty for the battery and charger. This warranty does not include expendable parts including but not limited to blades, brushes, belts, light bulbs. This warranty covers defects in material or workmanship only. It does not cover normal wear and tear, failure due to abuse/misuse, or defects caused by careless or accidental mishandling. If this Benchmark product is used for commercial or rental purposes, this warranty does not apply.

PORTABLE BAND SAW



BENCHMARK™

BENCHMARK TOOLS CANADA

ST. JACOBS, ONTARIO N0B 2N0

© 2022 Home Hardware Stores Limited

CUSTOMER SERVICE/TECH SUPPORT

1-866-349-8665

1345-300

Made in China



* This Benchmark™ product carries a five (5) year LIMITED warranty against defects in workmanship and materials. The charger and batteries carry a three (3) LIMITED warranty.



Intertek
3151836
R2103

READ ALL INSTRUCTIONS BEFORE FIRST USE. KEEP THIS MANUAL FOR FUTURE REFERENCE. KEEP AWAY FROM CHILDREN.



**WEAR CSA APPROVED
EYE PROTECTION**



**WEAR EAR
PROTECTION**



**WEAR A
FACE MASK**