

Radley®

4 1/2" Angle Grinder



*Owner's Manual
3 Year
limited warranty*



JDHF115-5A

**READ ALL INSTRUCTIONS BEFORE FIRST USE.
KEEP THIS MANUAL FOR FUTURE REFERENCE.
KEEP AWAY FROM CHILDREN.**



**WEAR CSA APPROVED
EYE PROTECTION**



**WEAR EAR
PROTECTION**



**WEAR A
FACE MASK**

PRODUCT SPECIFICATIONS

4 1/2" ANGLE GRINDER	
Rating	120 V, 60 Hz, AC
Amperes	5.0 A
Speed	12,000 RPM (no load)
Maximum disc diameter	4 1/2" (115 mm)
Spindle threads	5/8" - 11UNC (15.875 mm)
Minimum disc thickness	5/32" (3.9 mm)

***Please note: This tool is rated for use with type 27 discs only.**

Need Assistance?

Call us on our toll free customer support line:

1-866-349-8665 (Monday through Friday 9am – 5pm Eastern Time)

- Technical questions
- Replacement parts
- Parts missing from package

TABLE OF CONTENTS

Product specifications	1
Table of contents	2
General safety warnings	3
Eye, ear & lung protection	3
Electrical safety	4
Power tool safety	4-6
Work area safety	4
Personal safety	5
Power tool use and care	5-6
Service	6
Specific safety rules	7-8
Guidelines for extension cords	9
Symbols	10
Know your right angle grinder	11
Installing a non-threaded grinding wheel	11
Installing a threaded accessory	12-13
Operating instruction	14
ON/OFF switch	14
Operating	14-15
Replacing carbon motor brushes	15-16
Exploded view	17
Parts list	18-19
Warranty	20



GENERAL SAFETY WARNINGS

WARNING: Before using this tool or any of its accessories, read this manual and follow all Safety Rules and Operating Instructions. The important precautions, safeguards and instructions appearing in this manual are not meant to cover all possible situations. It must be understood that common sense and caution are factors which cannot be built into the product.

This instruction manual includes the following:

- General Safety Warnings
- Specific Safety Rules and Symbols
- Functional Description
- Assembly
- Operation
- Maintenance
- Accessories

EYE, EAR & LUNG PROTECTION



WEAR CSA APPROVED EYE PROTECTION



WEAR EAR PROTECTION



WEAR A FACE MASK

ALWAYS WEAR EYE PROTECTION THAT CONFORMS WITH CSA REQUIREMENTS or ANSI SAFETY STANDARD Z87.1

FLYING DEBRIS can cause permanent eye damage. Prescription eyeglasses ARE NOT a replacement for proper eye protection. **WARNING:** Non-compliant eyewear can cause serious injury if broken during the operation of a power tool.

ALWAYS WEAR EAR PROTECTION

WARNING: Use hearing protection, particularly during extended periods of operation of the tool, or if the operation is noisy.

WEAR A DUST MASK THAT IS DESIGNED TO BE USED WHEN OPERATING A POWER TOOL IN A DUSTY ENVIRONMENT.

WARNING: Dust that is created by power sanding, sawing, grinding, drilling, and other construction activities may contain chemicals that are known to cause cancer, birth defects, or other genetic abnormalities. These chemicals include: Lead from lead-based paints; Crystalline silica from bricks, cement, and other masonry products; Arsenic and chromium from chemically treated lumber. The level of risk from exposure to these chemicals varies, according to how often this type of work is performed. In order to reduce exposure to these chemicals, work in a well-ventilated area, and use approved safety equipment, such as a dust mask that is specifically designed to filter out microscopic particles.

ELECTRICAL SAFETY



WARNING: To avoid electrical hazards, fire hazards or damage to the tool, use proper circuit protection.

This tool is wired at the factory for 120 Volts AC operation. It must be connected to a 120 Volts AC, 15 Amps circuit that is protected by a time-delayed fuse or circuit breaker. To avoid shock or fire, replace power cord immediately if it is worn, cut or damaged in any way.

Power tool plugs must match the outlet. Never modify the plug in any way. Do not use any adapter plugs with earthed (grounded) power tools. Unmodified plugs and matching outlets will reduce risk of electric shock.

Avoid body contact with earthed or grounded surfaces such as pipes, radiators, ranges and refrigerators. There is an increased risk of electric shock if your body is earthed or grounded.

Do not expose power tools to rain or wet conditions. Water entering a power tool will increase the risk of electric shock.

Do not abuse the cord. Never use the cord for carrying, pulling or unplugging the power tool. Keep cord away from heat, oil, sharp edges or moving parts. Damaged or entangled cords increase the risk of electric shock.

When operating a power tool outdoors, use an extension cord suitable for outdoor use. Use of a cord suitable for outdoor use reduces the risk of electric shock.

If operating a power tool in a damp location is unavoidable, use a ground fault circuit interrupter (GFCI) protected supply. Use of a ground fault circuit interrupter (GFCI) reduces the risk of electric shock.

POWER TOOL SAFETY

WORK AREA SAFETY

Keep work area clean and well lit. Do not operate power tools in the presence of flammable liquids, gases or dust. Power tools create sparks which may ignite the dust or fumes. **Keep children and bystanders away while operating a power tool.** Distractions can cause you to lose control.

PERSONAL SAFETY

Stay alert, watch what you are doing and use common sense when operating a power tool. Do not use a power tool while you are tired or under the influence of drugs, alcohol or medication. A moment of inattention while operating power tools may result in serious personal injury.

Use personal protective equipment. Always wear eye protection. Protective equipment such as dust mask, non-skid safety shoes, hard hat, or hearing protection used for appropriate conditions will reduce personal injuries.

Prevent unintentional starting. Ensure the switch is in the off-position before connecting to power source and/or battery pack, picking up or carrying the tool. Carrying power tools with your finger on the switch or energizing power tools that have the switch on invites accidents.

Remove adjusting key or wrench before turning the power tool on. A wrench or a key left attached to a rotating part of the power tool may result in personal injury.

Do not overreach. Keep proper footing and balance at all times. This enables better control of the power tool in unexpected situations.

Dress properly. Do not wear loose clothing or jewellery. Keep your hair, clothing and gloves away from moving parts. Loose clothes, jewellery or long hair can be caught in moving parts.

If devices are provided for the connection of dust extraction and collection facilities, ensure these are connected and properly used. Use of dust collection can reduce dust-related hazards.

POWER TOOL USE AND CARE

Do not force the power tool. Use the correct power tool for your application. The correct power tool will do the job better and safer at the rate for which it was designed.

Do not use the power tool if the switch does not turn it on and off. Any power tool that cannot be controlled with the switch is dangerous and must be repaired.

Disconnect the plug from the power source and/or the battery pack from the power tool before making any adjustments, changing accessories, or storing power tools. Such preventive safety measures reduce the risk of starting the power tool accidentally.

Store idle power tools out of the reach of children and do not allow persons unfamiliar with the power tool or these instructions to operate the power tool.

Power tools are dangerous in the hands of untrained users.

Maintain power tools. Check for misalignment or binding of moving parts, breakage of parts and any other condition that may affect the power tool's operation. If damaged, have the power tool repaired before use. Many accidents are caused by poorly maintained power tools.

Keep cutting tools sharp and clean. Properly maintained cutting tools with sharp cutting edges are less likely to bind and are easier to control.

Use the power tool, accessories and tool bits etc. in accordance with these instructions, taking into account the working conditions and the work to be performed. Use of the power tool for operations different from those intended could result in a hazardous situation.

Hold power tools by insulated gripping surfaces when performing an operation where cutting tool may contact hidden wiring or its own cord.

Contact with a "live" wire will make exposed metal parts of the tool "live" and shock the operator

SERVICE

Have your power tool serviced by a qualified repair person using only identical replacement parts. This will ensure that the safety of the power tool is maintained

SPECIFIC SAFETY RULES

WARNING: Know your angle grinder. Do not plug in the angle grinder until you have read and understand this Owner's Manual. Learn the tool's applications and limitations, as well as the specific potential hazards related to this tool. Following this rule will reduce the risk of electric shock, fire, or serious injury.



WEAR CSA APPROVED EYE PROTECTION

Always wear eye protection. Any power tool can throw foreign objects into your eyes and cause permanent eye damage. ALWAYS wear safety goggles (not glasses) that comply with ANSI safety standard Z87.1. Everyday glasses have only impact resistant lenses. They ARE NOT safety glasses.

WARNING: Glasses or goggles not in compliance with ANSI Z87.1 could cause serious injury when they break.

WARNING: Always use a safety shield, hearing protection and dust mask when drilling concrete.

WARNING: Always wear hearing protection and dust mask. Use only in well ventilated areas. Use of personal protective equipment and working in a safe environment will reduce the risk of injury.

Always keep hands out of the path of the grinding disc. Avoid awkward hand positions where a sudden slip could cause your hand to move into the moving blade.

To avoid injury from accidental starting, always unplug the angle grinder from the power source before installing or removing grinding discs.

Make sure the guard is in good condition and securely installed before operating grinder.

Grinding disc and guard must be securely attached as described in this Owner's Manual before connecting the grinder to the power source. Failure to do so will increase the risk of serious injury if the grinding disc shatters.

Do not clamp grinder in vise or use as a fixed grinder.

Grinding discs must be stored in a dry location to prevent deterioration. Before attaching the grinding disc, inspect it for visible defects. If cracked, chipped or warped do not install it.

Use only grinding discs in compliance with ANSI Standard B7.1 and rated for a speed greater than 12,000 RPM.

Do not remove the soft paper in the centre of the grinding disc.

NOTE: If this paper has been previously removed, insert some soft rubber or paper between the grinding disc and the disc flange to prevent damage to the grinding disc.

Do not alter or enlarge the centre hole of the grinding disc as this could result in breaking it.

Do not over tighten the clamp nut on the grinding disc. Excessive tightening may cause the disc to crack and possibly shatter during operation.

Do not use the grinder if the disc flange or clamp nut is missing or if the spindle is bent.

Check to make sure the power cord and any extension cord are clear of the area to be cut. Contact with "live" wires could shock the operator or cause a fire.

Hold tool by insulated gripping surfaces when performing an operation where the tool may contact hidden wiring or its own cord. Contact with a "live" wire will make exposed metal parts of the tool "live" and shock the operator.

Always hold the grinder securely with two hands while working and at all times when it is running.

Never turn the grinder ON with the grinding disc or any rotating parts touching the work surface.

Never cover the air vents in the motor housing with your hands while operating the grinder.

GUIDELINES FOR EXTENSION CORDS

Make sure your extension cord is the proper size. When using an extension cord, be sure to use one heavy enough to carry the current the tool will draw. An undersized cord will cause a drop in line voltage resulting in loss of power and overheating. The table below shows the correct size to use according to cord length and nameplate ampere rating. If in doubt, use the next heavier gauge. The smaller the gauge number the heavier the cord.

Be sure your extension cord is properly wired and in good condition. Always replace a damaged extension cord or have it repaired by a qualified electrician before using it. Protect your extension cord from sharp objects, excessive heat and damp or wet areas.

Use a separate electrical circuit for your power tools. This circuit must not be less than 14 gauge wire and should be protected with either a 15A time delay fuse or circuit breaker. Before connecting the power tool to the power source, make sure the switch is in the OFF position and the power source is the same as indicated on the nameplate. Running at lower voltage will damage the motor.

WARNING: Repair or replace damaged or worn extension cords immediately.

Select the appropriate extension cord gauge and length using the chart below.





When operating a power tool outdoors, use an outdoor extension cord marked "W-A" or "W". These cords are rated for outdoor use and reduce the risk of electric shock.


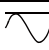










WARNING: Keep the extension cord clear of the working area. Position the cord so it will not get caught on the workpiece, tools or any other obstructions while you are working with the power tool.

MINIMUM GAUGE (AWG) EXTENSION CORDS(120 Volts use only)					
Amperage rating		Total length			
More than	Not more than	25' (7.5 m)	50' (15 m)	100' (30 m)	150' (45 m)
0	6	18	16	16	14
6	10	18	16	14	12
10	12	16	16	14	12
12	16	14	12	Not Applicable	

SYMBOLS

WARNING: Some of the following symbols may appear on the angle grinder. Study these symbols and learn their meaning. Proper interpretation of these symbols will allow for more efficient and safer operation of this tool.

V	Volts
A	Amperes
Hz	Hertz
W	Watts
kW	Kilowatts
μF	Microfarads
L	Litres
kg	Kilograms
H	Hours
N/cm ²	Newtons per square centimetre
Pa	Pascals
OPM	Oscillations per minute
Min	Minutes
S	Seconds
 or a.c.	Alternating current
	Three-phase alternating current
	Three-phase alternating current with neutral
	Read all safety warnings and instructions

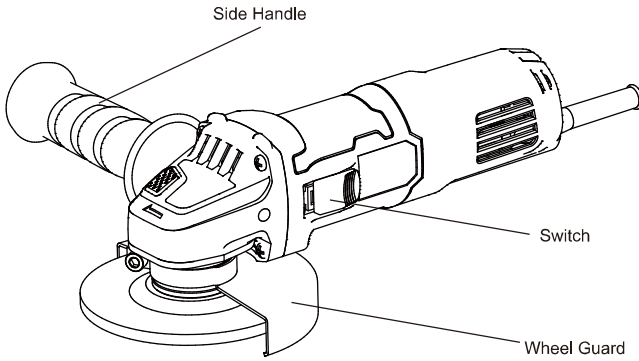
	Direct current
n ₀	No load speed
	Alternating or direct current
	Class II construction
	Splash-proof construction
	Watertight construction
	Protective grounding at grounding terminal, Class I tools
.../min	Revolutions or reciprocations per minute
∅	Diameter
0	Off position
	Directional Arrow
	Warning symbol
	Wear your safety glasses
	Wear hearing protection
	Always operate with two hands
	Guard provided is only for grinding applications



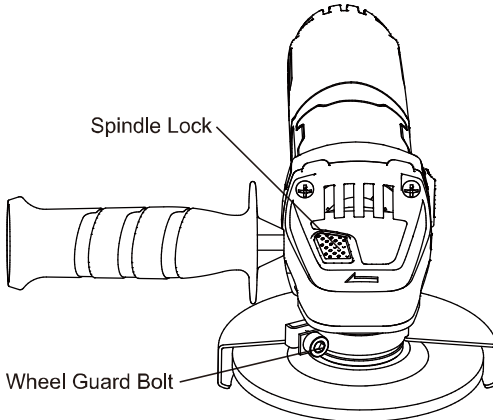
JDHF115-5A

This symbol designates that this tool is listed with U.S. and Canadian requirements by cTUVus Testing Laboratories, Inc. UL62841-1, UL62841-2-3

KNOW YOUR ANGLE GRINDER



**Switch – Press the switch forward to turn the tool on;
Pull it backward to turn the tool off.**



Grinding wheel sold separately.

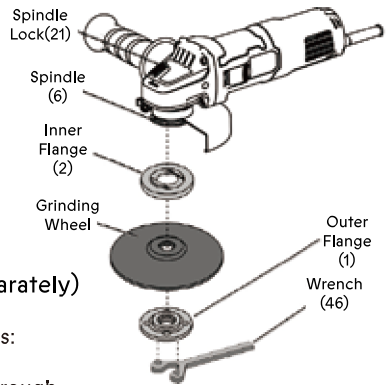
This tool is rated for use with type 27 discs only.

ASSEMBLY AND OPERATING

WARNING: Always disconnect your angle grinder from the power source when replacing grinding discs, adjusting the guard, cleaning or when the tool is not in use. Disconnecting the angle grinder will prevent accidental starting that could cause serious personal injury.

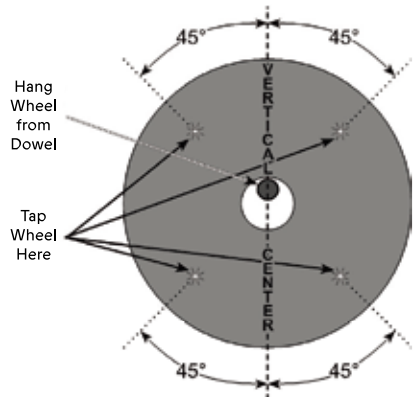
INSTALLING A NON-THREADED GRINDING WHEEL

1. The Grinding Wheel MUST be:
 - Rated to at least 12,000 RPM
 - No larger than 4 1/2" in diameter.
 - Fitted with a 5/8" or 7/8" round arbor hole.
 - 5/32" Thick or less.
 - A type of grinding wheel suitable for surface grinding, not edge grinding.
 - Dry and clean.
 - Proven undamaged by inspection and by the ring-test explained below.



2. Closely inspect the Grinding Wheel (sold separately) before mounting. Perform a safety test on your grinding wheel before using as follows:
 - a. Suspend wheel using a dowel or finger through the arbor hole.
 - b. Tap the flat side of the wheel with a light non-metallic object, such as a Screwdriver handle, at a point 45° from the vertical center line on each side of the wheel and 1 to 2 inches from the edge of the wheel (see Illustration).
 - c. Rotate the wheel 90° and repeat the test until the entire wheel has been checked.
 - d. An undamaged wheel will give a clear tone. If cracked, there will be a dead sound and not a clear ring.

3. To mount the wheel, press in and hold the Spindle Lock (21) to prevent the Spindle (6) from turning.
4. Remove the Outer Flange (1). Keep the Inner Flange (2) in position on the Spindle.
5. For wheels with paper gaskets (blotters) or metal gaskets: Slip the grinding wheel onto the Spindle with the gasket first. The gasket should be centered on the grinding wheel and the wheel and gasket should rest flat against the Inner Flange.



ASSEMBLY AND OPERATING (continued)

WARNING:

To prevent serious injury, gaskets must be used. Only use the gaskets provided with this grinding wheel. Gaskets help prevent grinding wheel damage, wheel slippage and wheel failure.

6. Thread the Outer Flange onto the Spindle. Wrench tighten only enough so that the wheel is securely held on the spindle.

WARNING: To prevent serious injury, do not over tighten flange. Over tightening can damage the wheel, causing wheel failure.

INSTALLING A THREADED ACCESSORY

WARNING: TO PREVENT INJURY: Wear heavy-duty work gloves when handling wire wheels and brushes. These accessories are sharp and can cause injury.

1. The accessory MUST be:
 - Rated to at least 12,000 RPM.
 - No larger than 4 1/2" in diameter.
 - Fitted with a threaded opening of 5/8" -11 UNC.
 - Undamaged.
 - A sanding disc and backing pad, a sanding flap disc, a wire wheel or a wire cup brush (accessories not included).
2. Press in and hold the Spindle Lock (21) to prevent the Spindle (6) from turning.
3. Remove the Outer Flange (1) and the Inner Flange (2) and keep in a safe place.
4. Thread disc accessory firmly onto the Spindle. Use wrench to tighten onto the Spindle.

WORK PIECE AND WORK AREA SET UP

1. To prevent distraction and injury designate a work area that is clean and well-lit. The work area must not allow children or pets access.
2. Route the power cord along a safe route to reach the work area without creating a tripping hazard or exposing the power cord to possible damage.
3. The power cord must reach the work area with enough extra length to allow free movement while working.
4. Secure loose work pieces using a vise or clamps (not included) to prevent movement while working.
5. There must not be hazardous objects, such as utility lines or foreign objects, nearby that will present a hazard while working.
6. You must use personal safety equipment including, but not limited to, ANSI-approved eye and hearing protection, as well as heavy-duty work gloves.
7. Before beginning work, provide for sparks and debris that will fly off the work surface.

ASSEMBLY AND OPERATING (continued)

OPERATING INSTRUCTIONS

WARNING: TO PREVENT SERIOUS INJURY: Grip the tool firmly in both hands.

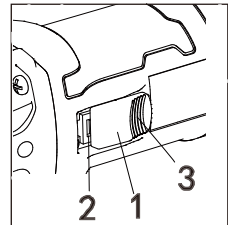
1. Make sure that the Switch is not locked on, then plug in the tool.
2. Push the switch forward to start the tool.
3. Allow the tool to come up to full speed before touching the work material.
4. Apply the wheel to the work material at a 5° – 15° angle, allowing the tool to operate at full speed. If the tool bogs down, use lighter pressure.
5. To create a smoother surface, keep the tool moving over the work surface.
6. Pull the switch backward to stop the tool.
7. Allow the tool to come to a complete stop before setting it down.
8. To prevent accidents, turn off the tool and disconnect its power supply after use. Clean, then store the tool indoors out of children's reach.

NOTICE: TO PREVENT TOOL DAMAGE:

Only use the tool for 15-20 minutes at a time.

ON/OFF SWITCH

To turn the switch ON, Press the rear of switch button (3), push the ON/OFF switch (1) forward while pressing the front part of the switch (2) into the body of the angle grinder. When the switch “snaps” into position, it will remain ON and the motor will continue running. To turn the switch OFF, press the rear part of the switch (3) into the angle grinder body. The switch will “snap” to the OFF position.



GRINDING

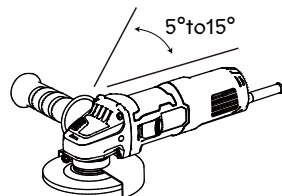
Always select and use grinding discs that are recommended for the material to be ground. Make sure that the minimum operating speed of the grinding disc selected is not less than 12,000 RPM. Secure all work before beginning the grinding operation. Secure small workpieces in a vice or clamp to a workbench.

WARNING: Never use your grinder with the guard removed. It has been designed for use only with the guard installed. Attempting to use the grinder with the guard removed will result in loose particles being thrown against the operator resulting in serious personal injury.

WARNING: Never use your grinder without eye protection. Following this rule will reduce the risk of serious personal injury.

The efficient operation of the angle grinder begins by controlling the pressure and surface contact between the grinding disc and the workpiece. Flat surfaces are ground at an acute angle, normally between 5° and 15°.

For maximum control, hold the grinder in front and away from you with both hands, keeping the grinding disc clear of the workpiece. Start your grinder and let the motor and grinding disc build up to full speed. Gradually lower the grinder until the grinding disc contacts the workpiece.



ASSEMBLY AND OPERATING (continued)

GRINDING – cont'd

For best results keep the grinder tilted at an angle between 5° and 15° and continuously moving at a steady, consistent pace. Move the grinder back and forth or up and down over the work area. Keep the grinder moving so that an excessive amount of material is not removed from one area. If the grinder is held in one spot too long, it will gouge and cut grooves in the workpiece. If the grinder is held at too sharp an angle, it will gouge the workpiece because of the concentration of pressure on a small area.

Use just enough pressure to keep the grinder from chattering or bouncing. Heavy pressure will decrease its speed and put a strain on the motor. Normally, the weight of the tool alone is adequate for most grinding jobs. Use light pressure when grinding jagged edges or loose bolts where there is potential for the grinder to snag on the metal edge.

MAINTENANCE

WARNING: When servicing, use only identical replacement parts. Use of any other part may create a hazard or cause product damage.

DO NOT abuse power tools. Abusive practices can damage the tool as well as the workpiece.

CARBON BRUSH MAINTENANCE. The carbon brushes may require maintenance when the motor performance of the tool decreases or stops working completely.

Carbon brushes are internal to the motor housing, and should only be replaced by a qualified service technician.

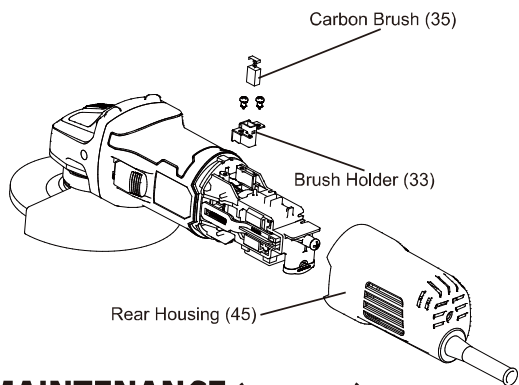
- a) To replace brushes, remove screw from center of rear housing (45) and slide the housing off.
- b) Loosen screws holding brush holder (33) in place. Then remove carbon brush (35) from holder.
- c) Insert new carbon brush into holder, reinsert holder and fasten into place with screws. Make sure the carbon portions of the carbon brushes contact the motor armature, and that the springs face away from the motor.

When replacing carbon brushes both brushes must be replaced. Repeat steps "b" and "c" for the second brush.

Slide rear housing back into place and fasten securely with screw.

Note: New carbon brushes tend to spark when first used until they wear and conform to the motor's armature.

WARNING: If the supply cord of this power tool is damaged, it must be replaced only by a qualified service technician.



MAINTENANCE (continued)

WARNING: DO NOT attempt to modify tools or create accessories. Any such alteration or modification is misuse and could result in a hazardous condition leading to possible serious injury. It will also void the warranty.

CLEANING

DO NOT use solvents when cleaning plastic parts. Most plastics are susceptible to damage from various types of commercial solvents and may be damaged by their use. Use a clean cloth to remove dirt, dust, oil, grease, etc.

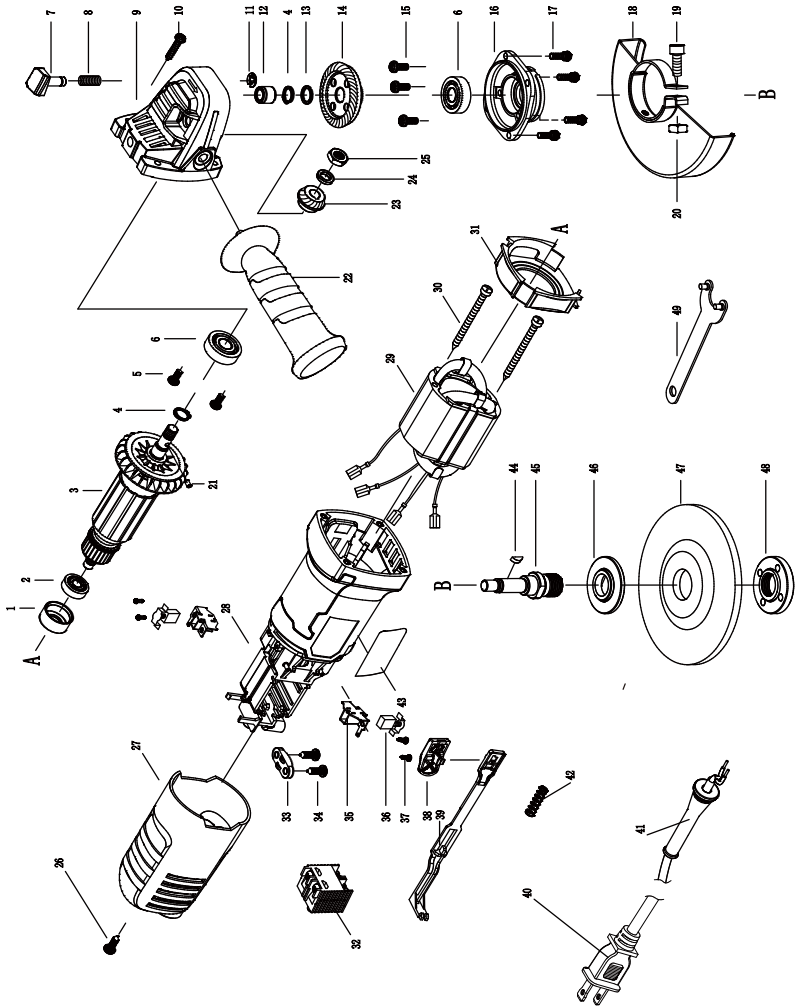
WARNING: DO NOT at any time allow brake fluids, gasoline, petroleum-based products, penetrating oils, etc. to come in contact with plastic parts. They contain chemicals that can damage, weaken or destroy plastic.

WARNING: Always wear safety goggles or safety glasses with side shields during all grinding operations. It is critical that you also wear safety goggles or safety glasses with side shields and a dust mask while blowing dust out of the angle grinder with an air jet. Failure to take these safety precautions could result in permanent eye or lung damage.

LUBRICATION

Lubricated with a sufficient amount of high-grade lubricant for the life of the unit under normal conditions. Therefore, no further lubrication is required.

EXPLODED VIEW



PARTS LIST

WARNING: When servicing, use only original equipment replacement parts. The use of any other parts may create a safety hazard or cause damage to the angle grinder.

Any attempt to repair or replace electrical parts on this angle grinder may create a safety hazard unless repairs are performed by a qualified technician. For more information, call the Toll-free Helpline, at 1-866-349-8665.

Always order by PART NUMBER, not by key number.

Key #	Part #	Part Name	Quantity
1	1249-998-1	Bearing set	1
2	1249-998-2	Bearing	1
3	1249-998-3	Armature	1
4	1249-998-4	Check ring	2
5	1249-998-5	Screw	2
6	1249-998-6	Bearing	2
7	1249-998-7	Stop pin	1
8	1249-998-8	Spring	1
9	1249-998-9	Gear box	1
10	1249-998-10	Screw	4
11	1249-998-11	Check ring	1
12	1249-998-12	Bearing	1
13	1249-998-13	Spring washer	1
14	1249-998-14	Gear	1
15	1249-998-15	Screw	3
16	1249-998-16	Front cap	1
17	1249-998-17	Screw	4
18	1249-998-18	(115#)4M115-0-2A	1
19	1249-998-19	Screw	1
20	1249-998-20	Nut	1
21	1249-998-21	Roller	1
22	1249-998-22	Front handle	1
23	1249-998-23	Pinion	1
24	1249-998-24	Spring washer	1
25	1249-998-25	Nut	1
26	1249-998-26	Screw	2
27	1249-998-27	back cap	1
28	1249-998-28	Housing	1
29	1249-998-29	Stator	1
30	1249-998-30	Screw	2
31	1249-998-31	Fan guide	1
32	1249-998-32	Switch	1
33	1249-998-33	Cord clamp	1
34	1249-998-34	Screw	1

WARRANTY

RADLEY 4 1/2" ANGLE GRINDER WARRANTY

If this Radley Tool fails due to a defect in material or workmanship within three years from the date of purchase, return it to any Home Hardware store with the original bill of sale for exchange. Two years for battery and charger. This warranty does not include expendable parts including but not limited to blades, brushes, belts and light bulbs. This warranty covers defects in material or workmanship only. It does not cover normal wear and tear, failure due to abuse/misuse, or defects caused by careless or accidental mishandling. If this Radley product is used for commercial or rental purposes, this warranty does not apply.

4 1/2" **Angle
Grinder**



Owner's Manual

*3 Year
limited warranty*



Radley

EXCLUSIVE TO HOME HARDWARE

For information on the entire line-up of Radley power tools visit homehardware.ca or your local Home Hardware retail store.

MADE IN CHINA / FABRIQUÉ EN CHINE
HOME HARDWARE STORES LIMITED
ST. JACOBS, ONTARIO N0B 2N0
ORDER ONLINE / COMMANDE EN LIGNE
homehardware.ca

© 03/2021 Home Hardware Stores Limited



1249-998