

MAINTENANCE

GENERAL

DO NOT use solvents when cleaning plastic parts. Plastics are susceptible to damage from various types of commercial solvents and may be damaged by their use. Use a clean cloth to remove dirt, dust, oil, grease etc.

▲ WARNING: Do not allow brake fluids, gasoline, petroleum-based products, penetrating oils, etc. to come into contact with plastic parts. They contain chemicals that can damage, weaken or destroy plastic.

▲ WARNING: When cleaning the tool with compressed air, always wear safety goggles. Flying debris can cause serious eye damage.

DO NOT abuse power tools. Abusive practices can damage the tool and the workpiece.

▲ WARNING: DO NOT attempt to modify tools or create accessories. Any such alteration or modification is misuse and could result in a hazardous condition leading to possible serious injury. It will also void the warranty.

LITHIUM-ION BATTERY MAINTENANCE

Lithium-ion batteries do not have a "memory" and do not require to be completely discharged periodically. It is recommended that you charge your Lithium-ion batteries after each use so they will be fully charged when needed.

NOTE: A fully charged battery will lose about 2% of its charge per month during storage.

BATTERY PACK REMOVAL AND PREPARATION FOR RECYCLING

To preserve our natural resources, please recycle or dispose of batteries properly.

The batteries supplied with this tool may contain chemicals and metals that are harmful to the environment. Never dispose of rechargeable batteries in your normal household garbage or in landfill sites because they will add to the pollution of the environment.

Consult your local waste authority for information regarding available recycling and disposal options.

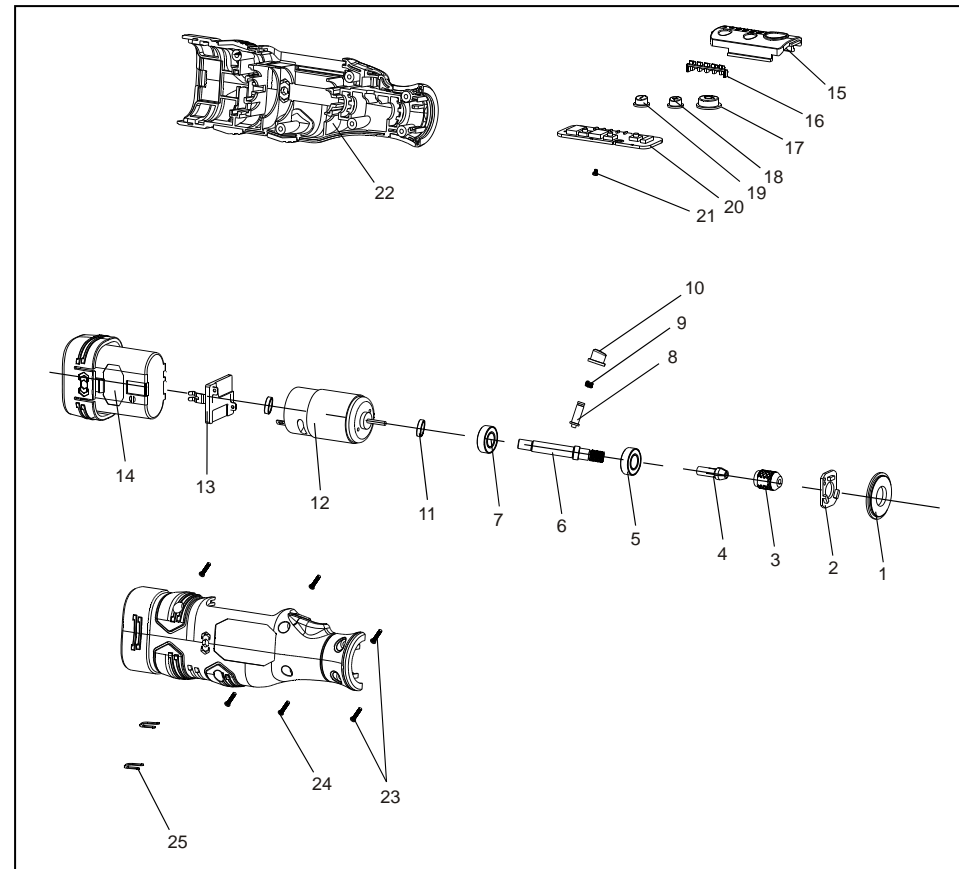
▲ WARNING: Upon removal of the battery pack, cover the terminals of the battery pack with electrical tape or heavy-duty adhesive tape. Never touch both terminals with metal objects or body parts, because a short circuit may result. Keep away from children. Do not attempt to destroy or disassemble battery pack or remove any of its components.

Rechargeable batteries must be recycled or disposed of properly. Failure to comply with these warnings could result in fire and serious injury.

ACCESSORIES INCLUDED

Illustration	Description	Size/Shape	Qty
	Brass brush	1/4" Axial	1
	Bristle brush	7/8" Radial	1
	Brass brush	7/8" Radial	1
	Bristle brush	1/4" Axial	1
	Felt polishing wheel	1/2"	3
	Felt polishing wheel	1"	3
	Felt polishing tip	3/8"	3
	Mandrel for felt wheel	1/8"	1
	Sanding band	1/2"	18
	Drum sander with 1/8" shank	1/2" Diameter	1
	Diamond ball	5/64" Ball	1
	Diamond bit cylinder	Cylinder	1
	Diamond taper	5/64" Taper	1
	Multi-purpose bit	1/8" Cylinder	3
	Collet	1/8"	1
	Collet	3/32"	1
	Collet	1/16"	1
	Screw mandrel	1/8"	1
	Screw mandrel	3/32"	1
	Heavy duty cut-off wheel	15/16" x 0.031 Thick	23
	Collet wrench		1
	Dressing stone	3/8" x 3/8" x 1"	1
	Sanding disc	3/4" Circular	31
	Various grinding stones	Assorted	10

EXPLODED VIEW



PARTS LIST

▲ WARNING: When servicing, use only original equipment replacement parts. The use of any other parts may create a safety hazard or cause damage to the tool.

Any attempt to repair or replace electrical parts on this tool may create a safety hazard unless repairs are performed by a qualified technician. For more information, call the Toll-free Helpline, at 1-866-349-8665.

Always order by PART NUMBER, not by key number.

Key #	Part #	Part Name	Quantity
1	3160060093	LED light cover	1
2	1130040074	LED PCB	1
3	2040190021	Collet nut	1
4	2040280002	Collet	1
5	4010010006	Bearing 687	1
6	2040290108	Output shaft	1
7	4010010041	Bearing 688	1
8	2040160086	Spindle Lock pin	1
9	2050060113	Spindle lock spring	1
10	3120020168	Lock cap	1
11	3140060027	Motor positioning ring	2
12	1039020003	Motor	1
13	1180060032	Battery contacts assembly	1
14	1290030002	Battery	1
15	3110010232	Speed control cover	1
16	3160070016	Speed control assembly	1
17	3120010115	On-Off Button	1
18	3120020149	Speed control button +	1
19	3120020150	Speed control button -	1
20	1130030053	PCB	1
21	4030010020	Screw ST2.9X6	1
22	3010180008	Housing	1
23	4030010034	Screw ST2.9X12	2
24	4030010028	Screw ST2.9X16	4
25	2030090032	Flat U clamps	2

PERFORMAX® ROTARY TOOL WARRANTY

30-DAY MONEY BACK GUARANTEE:

This PERFORMAX® brand power tool carries our 30-Day Money Back Guarantee. If you are not completely satisfied with your PERFORMAX® brand power tool for any reason within thirty (30) days from the date of purchase, return the tool with your original receipt to any MENARDS® retail store, and we will provide you a refund – no questions asked.

2-YEAR LIMITED WARRANTY:

This PERFORMAX® brand power tool carries a 2-Year Limited Warranty to the original purchaser. If, during normal use, this PERFORMAX® power tool breaks or fails due to a defect in material or workmanship within two (2) years from the date of original purchase, simply bring this tool with the original sales receipt back to your nearest MENARDS® retail store. At its discretion, PERFORMAX® agrees to have the tool or any defective part(s) repaired or replaced with the same or similar PERFORMAX® product or part free of charge, within the stated warranty period, when returned by the original purchaser with original sales receipt. Notwithstanding the foregoing, this limited warranty does not cover any damage that has resulted from abuse or misuse of the Merchandise. This warranty: (1) excludes expendable parts including but not limited to blades, brushes, belts, bits, light bulbs, and/or batteries; (2) shall be void if this tool is used for commercial and/or rental purposes; and (3) does not cover any losses, injuries to persons/property or costs. This warranty does give you specific legal rights and you may have other rights, which vary from state to state. Be careful, tools are dangerous if improperly used or maintained. Seller's employees are not qualified to advise you on the use of this Merchandise. Any oral representation(s) made will not be binding on seller or its employees. The rights under this limited warranty are to the original purchaser of the Merchandise and may not be transferred to any subsequent owner. This limited warranty is in lieu of all warranties, expressed or implied including warranties or merchantability and fitness for a particular purpose. Seller shall not be liable for any special, incidental, or consequential damages. The sole exclusive remedy against the seller will be for the replacement of any defects as provided herein, as long as the seller is willing or able to replace this product or is willing to refund the purchase price as provided above. For insurance purposes, seller is not allowed to demonstrate any of these power tools for you.

For questions / comments, technical assistance or repair parts – Please Call Toll Free at: 1-866-349-8665 (M-F 9am – 5pm)
Or email us at: customerservice@powertoolsplus.ca

SAVE YOUR RECEIPTS. THIS WARRANTY IS VOID WITHOUT THEM.

Distributed by: Menard, Inc., Eau Claire, WI 54703



This symbol designates that this tool is listed with Canadian and U.S. requirements by ETL Testing Laboratories, Inc. Conforms to UL STD. 60745-1, 60745-2-33. Certified to CAN/CSA C22.2 No. 60745-1, 60745-2-23.